

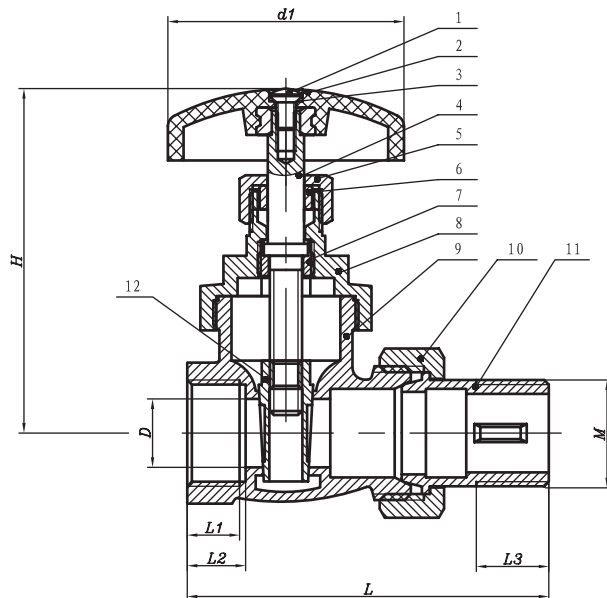
FIP X MALE UNION • BRASS BODY

Features

- Brass body
- FIP x Male union
- Includes nut and tailpiece
- Steam radiator gate valve

Specifications & Approvals

125 WSP 200 WOG
 Temperature rating is 300°F



Dimensions (mm)

Part #	Size	H	D	d1	L	L1	L2	L3	M
48612	1/2"	73.2	13.5	60	77.5	11.5	12.5	15	1/2"
48341	3/4"	89	17	60	89.5	13	14.5	18	3/4"
4811	1"	98.5	24	60	91	15.5	17	16	1"
48141	1-1/4"	112	30	60	103.5	16	17.5	20	1-1/4"
48121	1-1/2"	125	35	60	121	15	16	23	1-1/2"

Material Specifications

Part Name	Material
1. Crossed Screw	Q235
2. Handwheel	ABS
3. Nameplate	Al
4. Stem	CuZn39Pb3
5. Gland Nut	CuZn39Pb3
6. Gasket	PTFE
7. Lock Nut	CuZn39Pb3
8. Bonnet	CuZn39Pb3
9. Body	CuZn39Pb3
10. Nut	CuZn39Pb3
11. Bonnet	CuZn39Pb3
12. Disc	CuZn39Pb3