

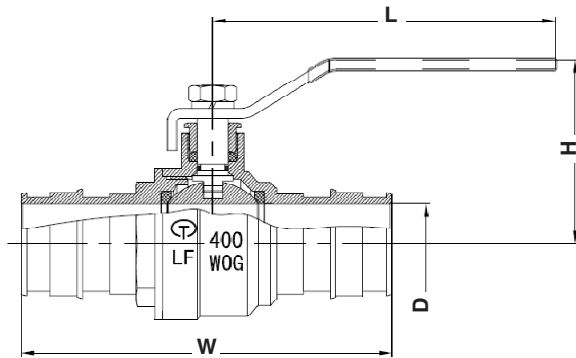
FULL PORT • 400 WOG • PROPEX F1960 • BRASS BODY • LEAD FREE

Features

- Lead Free Brass Material
- Forged Brass Body
- Blow Out Proof Stem Design
- Stainless Steel Ball
- Handle With Vinyl Grip

Specifications & Approvals

PROPEX end Conform To ASTM F1960
 400 psi WOG 150 psi WSP Service
 Temperature Range : -20° F to 300° F
 Conforms to NSF/ANSI-61, NSF/ANSI-372 ,
 NSF/ANSI-14



Dimensions

Part#	Size	D	L	H	W	Cv
600F012-NL	1/2"	0.394	3.46	2.58	2.58	8.23
600F034-NL	3/4"	0.611	3.46	3.31	3.31	19.80
600F001-NL	1"	0.812	4.29	3.98	3.98	34.98
600F114-NL	1-1/4"	0.984	4.29	4.65	4.65	51.55
600F112-NL	1-1/2"	1.103	5.63	5.52	5.52	64.64
600F002-NL	2"	1.575	5.63	6.91	6.91	131.92

Material Specifications

Part Name	Material
Body	Lead Free Brass
Seat	PTFE
Ball	SS304
Stem O-Ring	NBR
Packing Nut	Brass
Stem	Brass
Lock Nut	Ferrum / Zinc Plated
Lock Washer	Ferrum / Zinc Plated
Packing	PTFE
Handle	Ferrum / Chrome Plated
Cap	Lead Free Brass