

FULL PORT • THREAD ENDS • LEAD FREE

Features

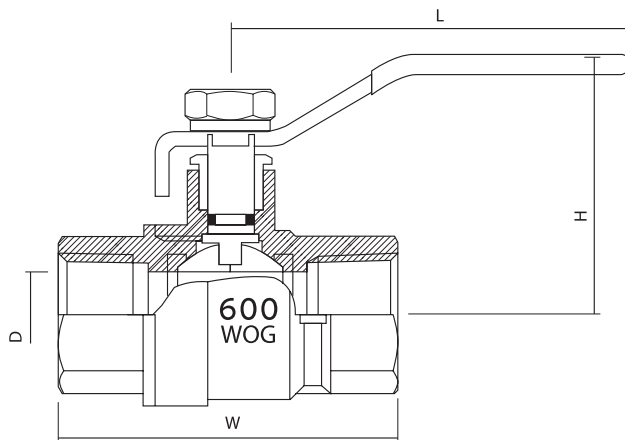
- Lead free brass
- Forged brass body
- Blow-out proof stem design
- Packing nut, o-ring and packing on the stem seal
- Stainless steel ball
- Handle with vinyl grip

Specifications & Approvals

600 psi WOG 150 psi WSP

Temperature Range: -20°F to 300°F

- Thread end conforms to: ANSI B1.20.1
- Approved to: UL 842, UL 125, Per FM1140, Per NSF/ANSI-61, NSF/ANSI-372, IGC-157
- Conforms to MSS SP-110 and ASME A1124.14



Dimensions

Part#	Size	D	L	H	W	Cv	Wt
610T014-NL	1/4"	0.394	3.46	1.68	1.73	8.23	0.302
610T038-NL	3/8"	0.394	3.46	1.68	1.73	8.23	0.306
610T012-NL	1/2"	0.591	3.46	1.81	2.24	18.55	0.445
610T034-NL	3/4"	0.748	4.29	2.09	2.52	29.76	0.750
610T001-NL	1"	0.984	4.29	2.25	2.97	51.55	1.140
610T114-NL	1-1/4"	1.259	5.63	2.52	3.44	84.42	1.755
610T112-NL	1-1/2"	1.574	5.63	2.74	3.88	131.93	2.412
610T200-NL	2"	1.949	5.63	3.03	4.29	200.35	3.380
610T250-NL	2-1/2"	2.520	7.76	4.25	5.53	338.43	7.030
610T300-NL	3"	2.894	8.19	4.58	6.14	445.44	9.656
610T400-NL	4"	3.839	9.25	5.49	7.79	783.88	18.305

Material Specifications

Part Name	Material
Body	Lead Free Brass
Seat	PTFE
Ball	SS304
Packing Nut	Brass
Stem	Brass 1/2" - 2"
Stem	SS304 2-1/2" - 4"
Lock Nut	Ferrum / Zinc Plated
Lock Washer	Ferrum / Zinc Plated
Packing	PTFE
Handle	Ferrum / Chrome Plated
Cap	Lead Free Brass
Stem O-Ring	NBR