

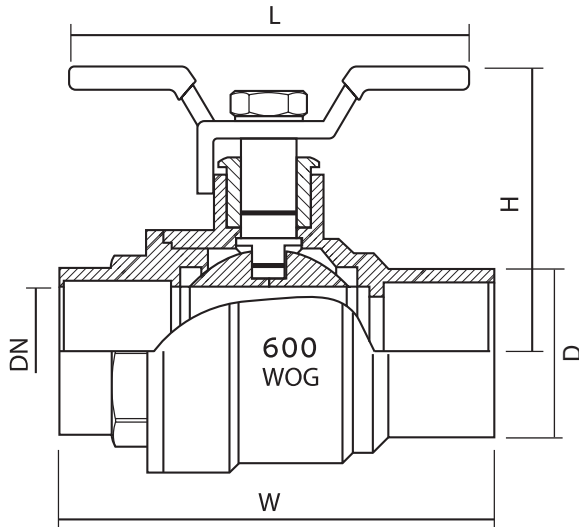
FULL PORT • SWEAT X SWEAT • LEAD FREE

Features

- Forged brass body
- Blow-out proof stem
- Packing nut & packing on the stem seal
- Stainless steel ball
- T-handle with vinyl grip

Specifications & Approvals

600 psi WOG 150 psi WSP  
 Temperature Range: -20°F to 300°F  
 • Sweat Ends Conform to: ASME B16.22  
 • CSA Approved to: NSF/ANSI-61,  
 NSF/ANSI-372, IGC-157



Dimensions

Part#	Size	DN	D	L	H	W	Weight
615C012-NL	1/2"	0.524	0.63	3.46	1.73	1.945	0.328
615C034-NL	3/4"	0.748	0.878	3.46	1.89	2.654	0.509
615C001-NL	1"	0.984	1.13	4.29	2.14	3.315	0.908
615C114-NL	1-1/4"	1.240	1.378	4.29	2.32	3.741	1.327
615C112-NL	1-1/2"	1.476	1.63	5.63	2.66	4.252	1.841
615C002-NL	2"	1.949	2.13	5.63	3.01	5.276	3.197

Material Specifications

Part Name	Material
Body	Lead Free Brass
Seat	PTFE
Ball	SS304
Packing Nut	Brass
Stem	Brass
Lock Nut	Ferrum/Zinc Plated
Lock Washer	Ferrum/Zinc Plated
Packing	PTFE
Handle	Ferrum/Chrome Plated
Cap	Lead Free Brass
Body O-Ring	FKM