

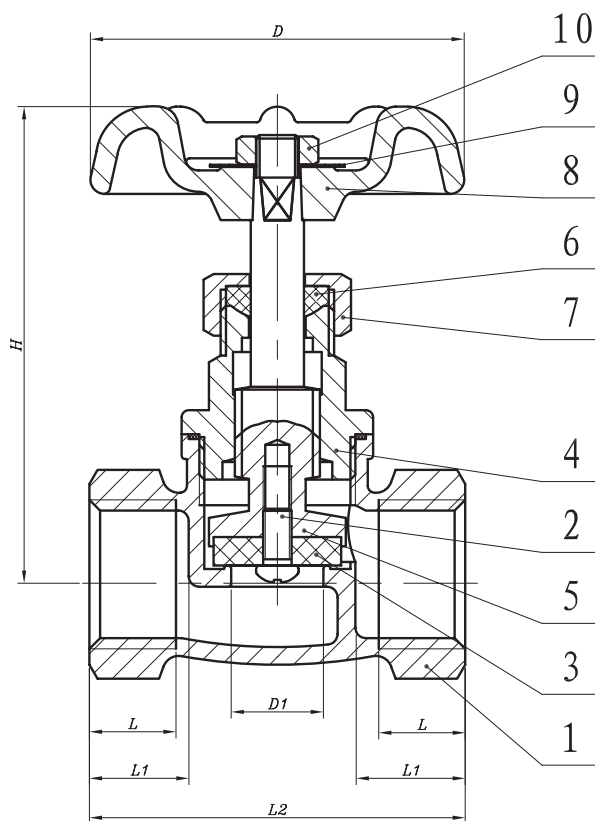
LEAD FREE

Features

- Forged Brass Body
- Compression Style Stop Valve
- Lead Free

Specifications & Approvals

Threaded Ends Comply with ANSI B2.1
 Sweat Ends Conform to ASME B16.18
 Conforms to NSF/ANSI-61/ 372 Standards
 125 WOG



Dimensions

Part#	Size	D	D1	L	L1	L2	H
73122-NL	1/2"	53	13.5	12	14	52.5	61.8
73342-NL	3/4"	53	13.5	14.5	16.5	58.5	61.8

Material Specifications

Part Name	Material
1. Body	Brass
2. Screw	Brass
3. Gasket	NBR
4. Cap	Brass
5. Stem	Brass
6. Stuffing	NBR
7. Gland Nut	Brass
8. Gasket	Cast Iron
9. Nameplate	AL
10. Handwheel	Steel