

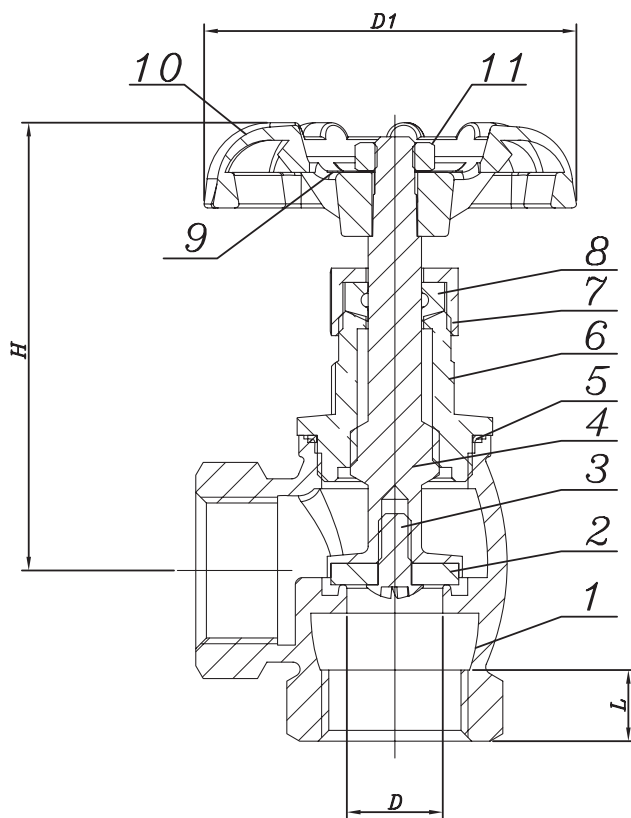
## LEAD FREE

### Features

- Forged Brass Body
- Compression Style Stop Valve
- Lead Free

### Specifications & Approvals

Threaded Ends Comply with ANSI B2.1  
 Sweat Ends Conform to ASME B16.18  
 Conforms to NSF/ANSI-61/ 372 Standards  
 125 WOG



### Dimensions

Part#	Size	H	D	D1	L
74122-NL	1/2"	63	13	53	10
74342-NL	3/4"	66	13	53	12

### Material Specifications

Part Name	Material
1. Body	CuZn39Pb3
2. Gasket	NBR
3. Screw	CuZn39Pb3
4. Stem	CuZn39Pb3
5. Gasket	PTFE
6. Bonnet	CuZn39Pb3
7. Nut	CuZn39Pb3
8. Gasket	NBR
9. Nameplate	Al
10. Handwheel	Cast Iron
11. Nut	Q235