

DUAL OUTLET • SWEAT X COMP • LEAD FREE

Features

- Forged and polished chrome plated body
- Quarter turn operation
- Self lubricating PTFE seals
- Double o-ring for safety

Specifications & Approvals

Working Pressure 125 psi

Available for Copper, Iron, CPVC, PEX tube

Compliant with:

- ASME A 112.18.1
- CSA B 125.1
- NSF/ANSI 61

cUPC approved

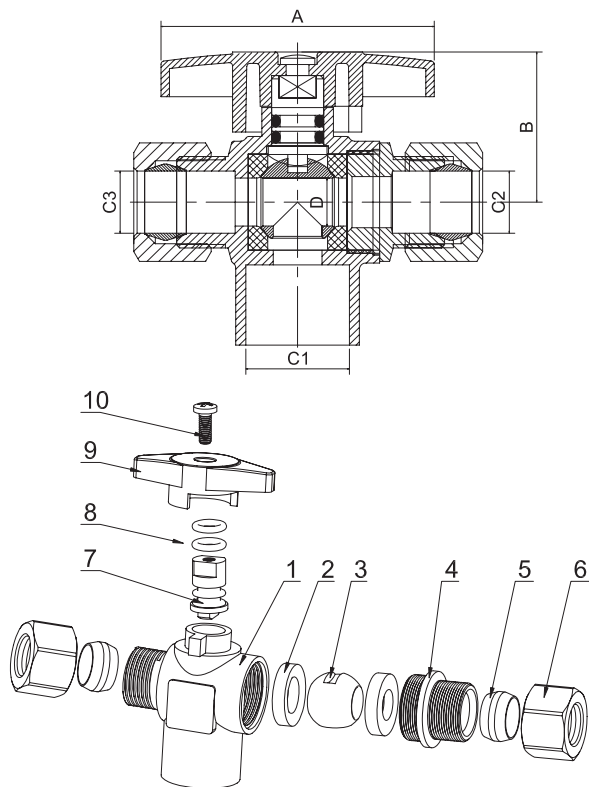


Dimensions

Part#	Size	A	B	D	C1	C2	C3
86312PR-NL	1/2 x 3/8 x 3/8	1.654	0.923	0.295	0.63	0.382	0.382
86324PR-NL	1/2 x 1/4 x 3/8	1.654	0.923	0.295	0.63	0.382	0.256

Material Specifications

Part Name	Material
1. Body	Lead Free Brass
2. Seat	PTFE
3. Ball	Lead Free Brass
4. Bonnet	Lead Free Brass
5. Comp Ring	Brass
6. Nut	Brass
7. Stem	Brass
8. O-Ring	EPDM
9. Handle	Zn
10. Lock Nut	SS304



FIP X COMP X COMP • LEAD FREE • 1/4 TURN BALL VALVE DESIGN

Features

- Forged & polished chrome plated body
- Quarter turn operation
- Self lubricating PTFE seals
- Double O-Ring for safety
- Easy-to-Remove Handle with Screw Attachment
- Self Lubricating PTFE Seats and Double O-Ring for Added Safety
- Individually Boxed and Barcoded

Specifications & Approvals

125 psi, Normal Working Temperature 120°F
 Available for Copper, Iron, CPVC, PEX tube
 Compliant with:

- ASME A 112.18.1
- CSA B 125.1
- NSF/ANSI 61

cUPC approved

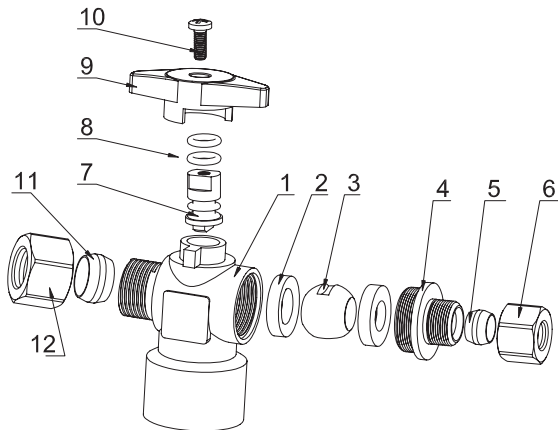
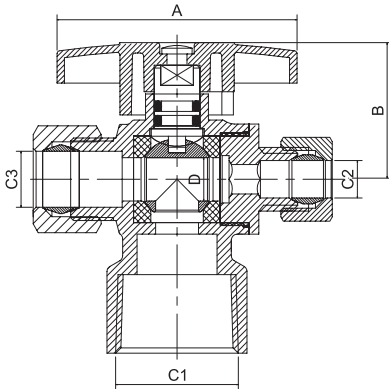


Dimensions

Part#	Size	A	B	D	C1	C2	C3
86314PR-NL	1/2 x 3/8 x 1/4	1.654	0.923	0.295	1/2	0.256	0.382
86311PR-NL	1/2 x 3/8 x 3/8	1.654	0.923	0.295	1/2	0.382	0.382

Material Specifications

Part Name	Material
1. Body	Lead Free Brass
2. Seat	PTFE
3. Ball	Lead Free Brass
4. Bonnet	Lead Free Brass
5. Comp. Ring	Brass
6. Nut	Brass
7. Stem	Brass
8. O-Ring	EPDM
9. Handle	Zn
10. Lock Nut	SS304
11. Comp. Ring	Brass
12. Nut	Brass



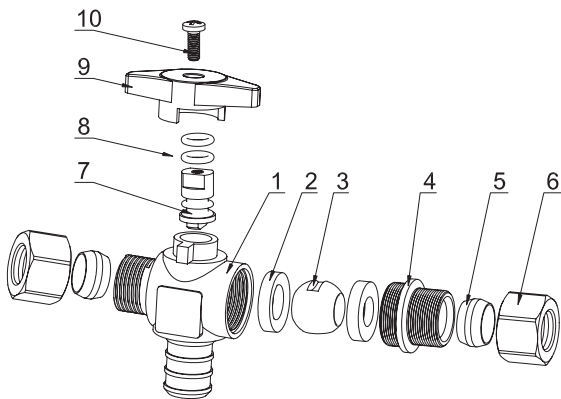
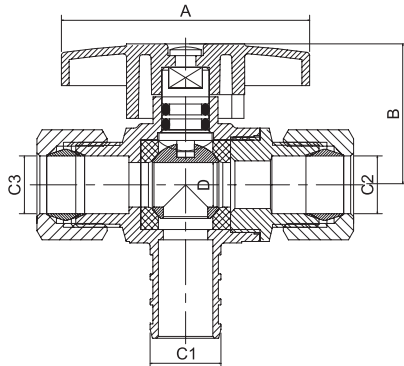
PEX X COMP X COMP • LEAD FREE • 1/4 TURN BALL VALVE DESIGN

Features

- Forged & polished chrome plated body
- Quarter turn operation
- Self lubricating teflon seals
- Double O-Ring for safety
- Available for copper, iron, CPVC, PEX tube
- Individually Boxed and Barcoded

Specifications & Approvals

125 psi, Normal Working Temperature 120°F
 Conforms to ASME A112.18.1, CSA B125.1, NSF/
 ANSI 61/372
 cUPC and NSF61 approved



Dimensions

Part#	Size	A	B	D	C1	C2	C3
86351PR-NL	1/2 x 3/8 x 3/8	1.654	0.923	0.295	0.472	0.382	0.382

Material Specifications

Part Name	Material
1. Body	Lead Free Brass
2. Seat	PTFE
3. Ball	Lead Free Brass
4. Bonnet	Lead Free Brass
5. Comp Ring	Brass
6. Nut	Brass
7. Stem	Brass
8. O-Ring	EPDM
9. Handle	Zn
10. Lock Nut	SS304

COMP INLET • LEAD FREE • 1/4 TURN BALL VALVE DESIGN

Features

- Dual Outlet
- Compression Inlet
- One-piece Chrome Plated Brass Body Provides Strength, Durability and Long-Lasting Performance
- Oval Chrome Plated Zinc Handle Provides a Secure Grip and Smooth On/Off Operation
- Easy-to-Remove Handle with Screw Attachment
- Self Lubricating PTFE Seats and Double O-Ring for Added Safety
- Individually Boxed and Barcoded

Specifications & Approvals

125 psi, Normal Working Temperature 120°F
 Conforms to NSF/ANSI 61/372
 CSA & Truesdale Approved



Dimensions

Part#	Size	A	B	D	C1	C2/C3
86358PR-NL	5/8 x 3/8 x 3/8	1.654	0.923	0.295	0.632	0.382

Material Specifications

Part Name	Material
1. Body	Brass
2. Stem	Brass
3. O-Ring	EPDM
4. Handle	Zn
5. Lock	Nut
6. Seat	PTFE
7. Ball	Brass
8. Bonnet	Brass
9. Clip	H62
10. Nut	Brass
11. Clip	H62
12. Nut	Brass

