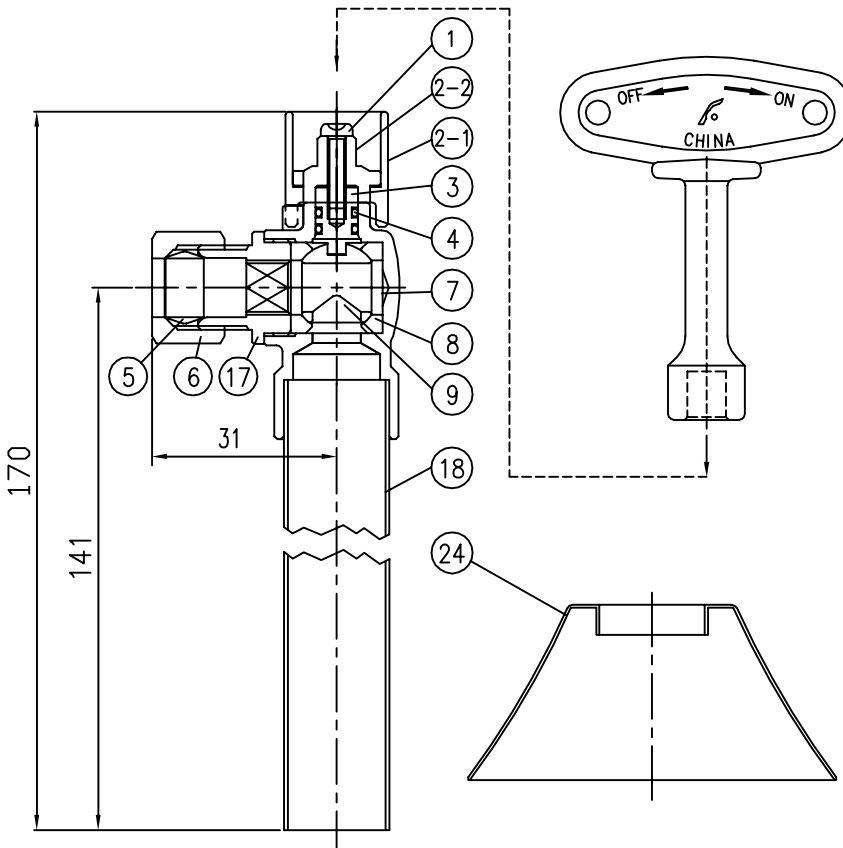


Specifications & Approvals

Lead Free
 Solder Cup and Compression Connect
 5" Extension Tube, and Loose Key for Operation
 A 1/2 inch solder cup
 3/8 inch od compression fitting
 Chrome Plated

UPC | NSF Approved



MATERIAL SPECS

Part Name	Material
Cap Cover	JIS G3141 - SPCE
Collar Ring	B86
Fixing Collar	B86
Copper Tube	B135-C27000
End Plug	No Lead Brass
Ball Disc	No Lead Brass
Packing	EPDM or PTFE
Body	B124-C46400
Compression Nut	B16-C36000
Compression Ring	B135-C26000
O-Ring	NBR
Stem	No Lead Brass
Handle	B86
Handle Screw	AISI-1010