

RAISED HEAD & COUNTERSUNK

Features

- Combines with FIP adapters to make cleanouts or flush plug assemblies
- Brass construction for heavy duty applications

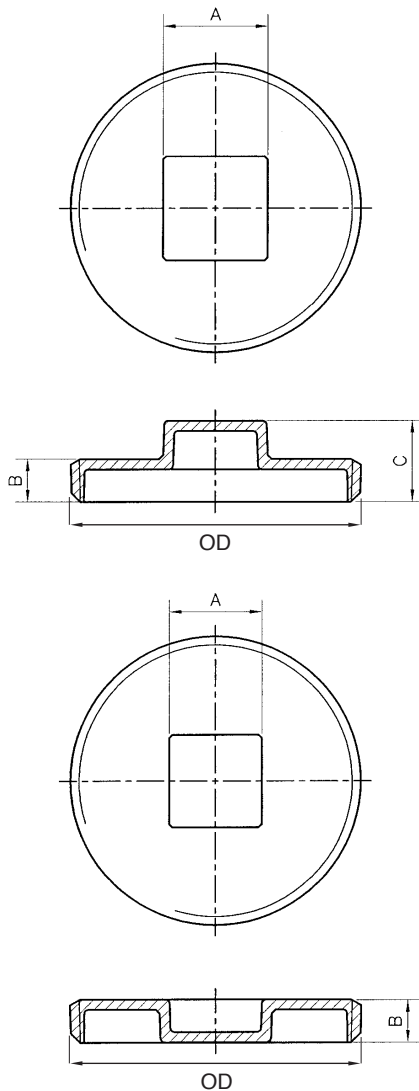
Specifications & Approvals

Cold Working Pressure (CWP): < 10 psi (DWV)



Material Specifications

Part Name	Material
Body	Brass C85700



Dimensions - Raised Head

Part #	Size	A	B	C	OD
COPR114	1-1/4"	16	14.2	22.8	41.7
COPR112	1-1/2"	20.6	9.8	17.1	47.8
COPR200	2"	25.3	11	19.8	59.8
COPR212	2-1/2"	25.7	10.5	20	72.3
COPR300	3"	31.6	11.5	20.8	88.2
COPR312	3-1/2"	36.6	11.7	20.5	100.9
COPR400	4"	34	12	21.2	113.5
COPR500	5"	34.7	13.4	22.3	140.5
COPR600	6"	35	14.3	26	167.4
COPR800	8"	42	16.5	28.1	218

Dimensions - Counter Sunk

Part #	Size	A	B	OD
COPC112	1-1/2"	16.1	11.1	47.8
COPC200	2"	20.4	10.8	59.8
COPC212	2-1/2"	22.8	10.7	72.3
COPC300	3"	29	11.9	88.2
COPC312	3-1/2"	24.8	11.7	100.9
COPC400	4"	29.3	11.8	113.5
COPC500	5"	36.5	13.1	140.5
COPC600	6"	31.2	16.3	167.4
COPC800	8"	38.1	16.5	218