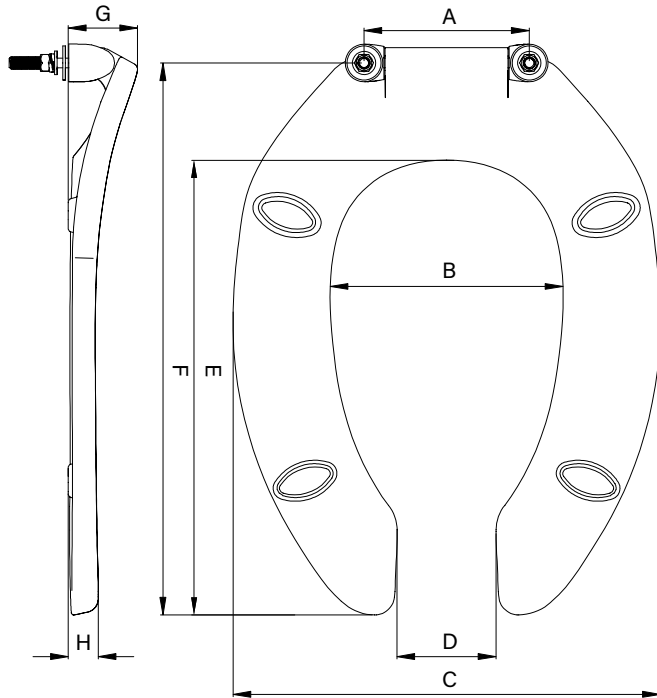


Features

- Polypropylene plastic with UV protection
- Check Hinge
- Color matched hinges
- Corrosion resistant mounting hardware
- Stainless steel Metal Shanks



PART #	COLOR	A	B	C	D	E	F	G	H
TSCE5-W	White	140	197	362	84	385	468	59	25
TSCE6-W	White	140	197	362	84	385	468	59	25

\*TSCE5-W Check Hinge

\*TSCE6-W Self Sustaining Check Hinge