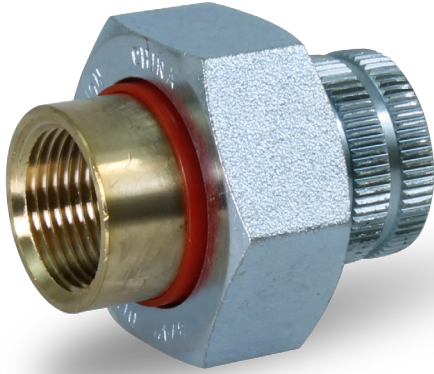




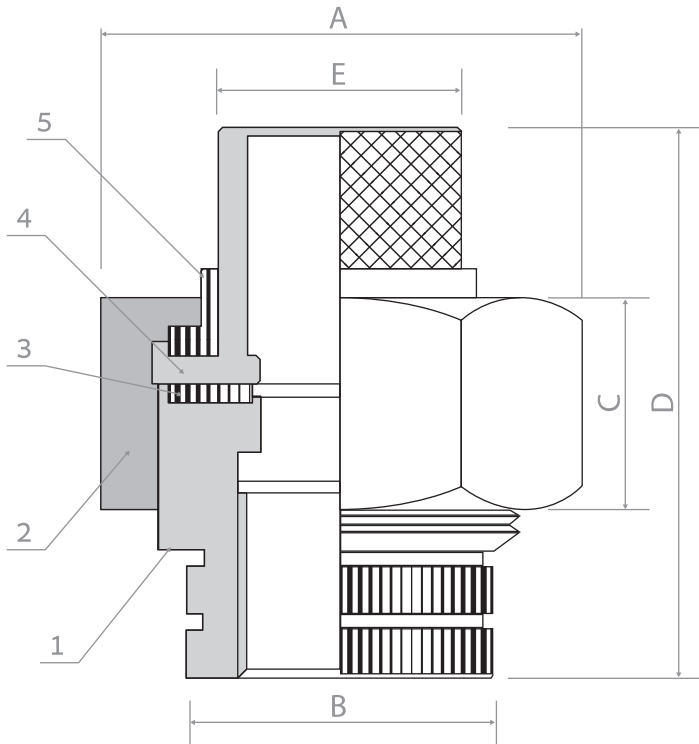
Features & Benefits

- Lead Free Dielectric Unions
- Used to properly connect different metal piping
- Prevents the deterioration of the pipe connections and stray induced electrical currents
- Unions available in: FIP x SWT, MIP x SWT, FIP x BPT, Flanged
- Meets ASTM F-492-95 and are temperature rated 110°C/230°F



MATERIAL SPECIFICATIONS

No.	Part	Materials
1	IPS Connection	Zinc Coat Steel
2	Nut	Zinc Coat Steel
3	Gasket	EPDM
4	Solder Connection	Brass
5	Insert	Nylon



DIMENSIONS

Part#	Size	A	B	C	D	E
DUFF0012-NL	1/2"	1.62	1.02	0.77	2.21	1.02
DUFF0034-NL	3/4"	1.89	1.26	0.77	2.21	1.26
DUFF0100-NL	1"	2.25	1.50	0.87	2.52	1.46
DUFF0114-NL	1-1/4"	2.76	1.81	0.91	2.72	1.85
DUFF0112-NL	1-1/2"	3.51	2.13	0.91	2.76	2.13
DUFF0200-NL	2"	4.14	2.60	1.10	3.11	2.60



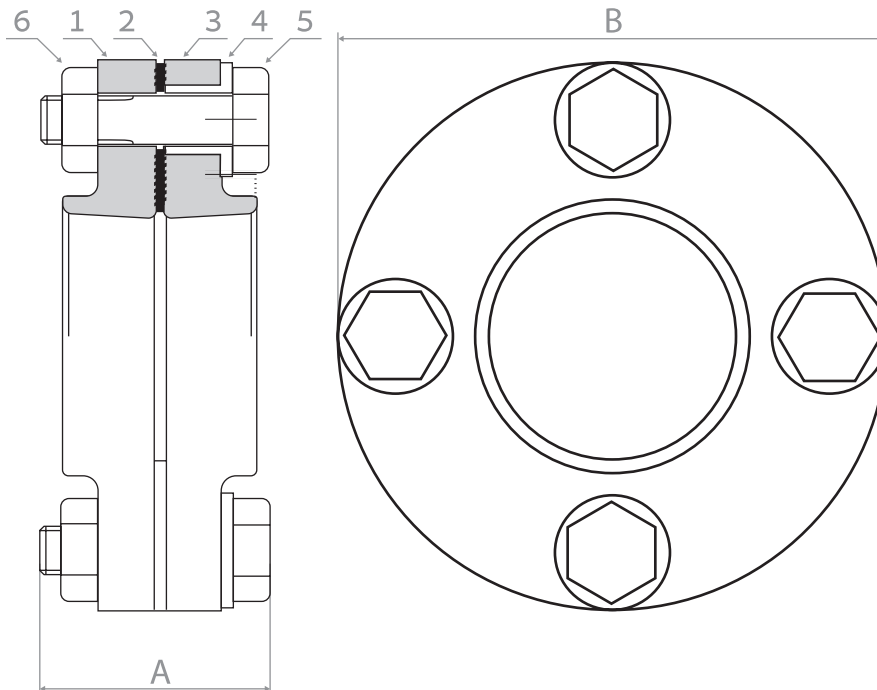
Features & Benefits



- Lead Free Dielectric Unions
- Used to properly connect different metal piping
- Prevents the deterioration of the pipe connections and stray induced electrical currents
- Unions available in: FIP x SWT, MIP x SWT, FIP x BPT, Flanged
- Meets ASTM F-492-95 and are temperature rated 110°C/230°F

MATERIAL SPECIFICATIONS

No.	Part	Materials
1	Flange	Cast Iron / Galvanized
2	Gasket	EPDM
3	Flange	Lead Free Bronze
4	Insulator	Nylon
5	Bolts	Zinc Coated Steel
6	Nuts	Zinc Coated Steel



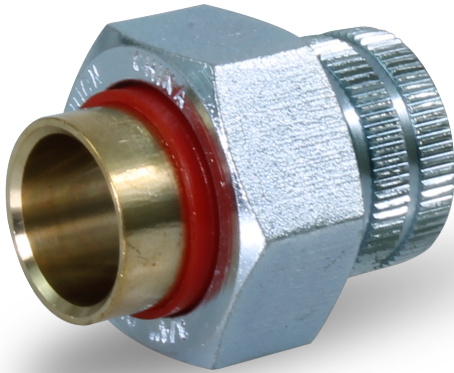
DIMENSIONS

Part#	Size	A	B
DUFF0212-NL	2-1/2"	2.36	7.01
DUFF0300-NL	3"	2.52	7.53
DUFF0400-NL	4"	2.76	9.14



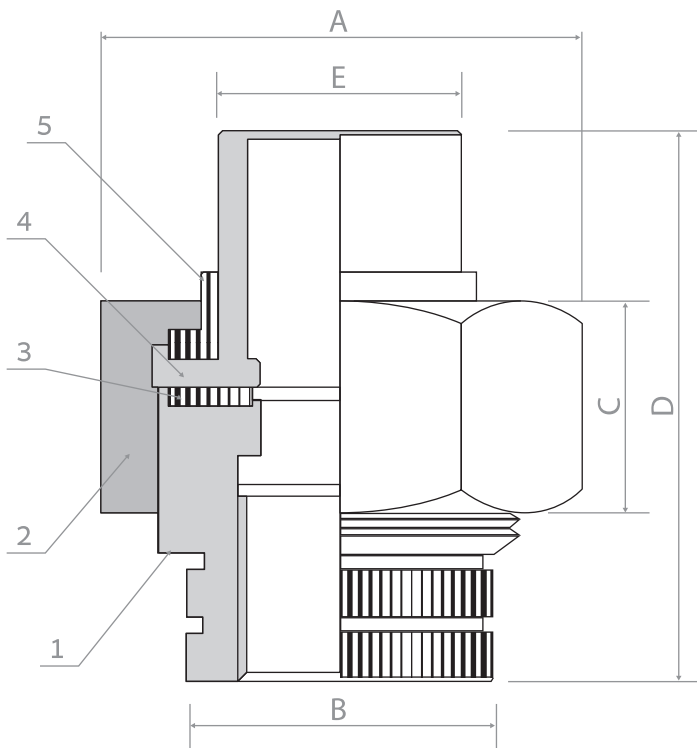
Features & Benefits

- Lead Free Dielectric Unions
- Used to properly connect different metal piping
- Prevents the deterioration of the pipe connections and stray induced electrical currents
- Unions available in: FIP x SWT, MIP x SWT, FIP x BPT, Flanged
- Meets ASTM F-492-95 and are temperature rated 110°C/230°F



MATERIAL SPECIFICATIONS

No.	Part	Materials
1	IPS Connection	Zinc Coat Steel
2	Nut	Zinc Coat Steel
3	Gasket	EPDM
4	Solder Connection	Brass
5	Insert	Nylon



DIMENSIONS

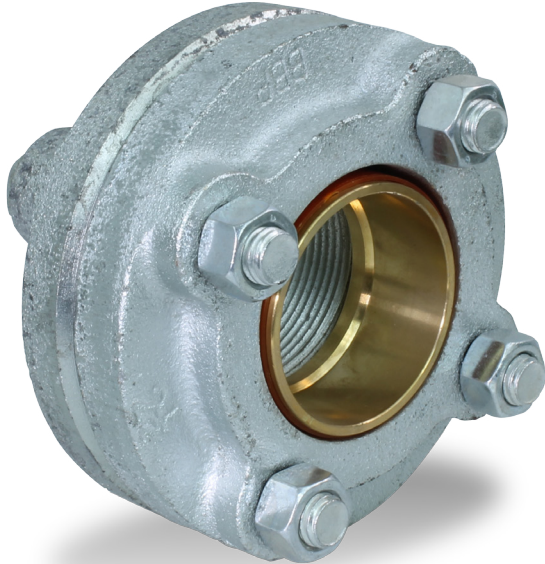
Part#	Size	A	B	C	D	E
DUFS0012-NL	1/2"	1.44	1.00	0.77	1.87	0.83
DUFS0034-NL	3/4"	1.62	1.26	0.77	2.11	1.06
DUFS3412-NL	3/4" x 1/2"	1.62	1.26	0.77	1.87	0.83
DUFS0100-NL	1"	1.89	1.50	0.87	2.32	1.30
DUFS0114-NL	1-1/4"	2.25	1.81	0.91	2.58	1.58
DUFS0112-NL	1-1/2"	2.76	2.13	0.95	2.80	1.81
DUFS0200-NL	2"	3.51	2.60	1.06	3.11	2.36

DIELECTRIC UNION - FEM X SWEAT FLANGED SPECIFICATION SHEET



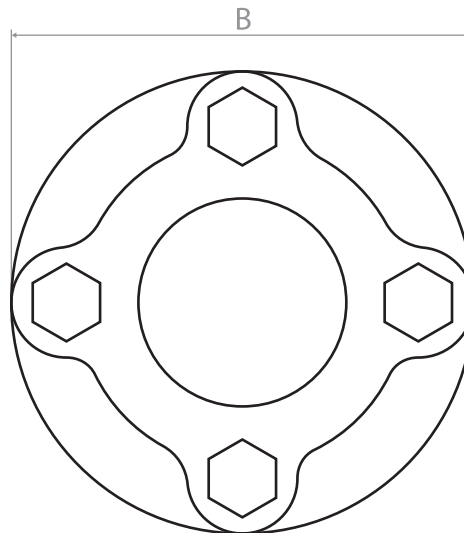
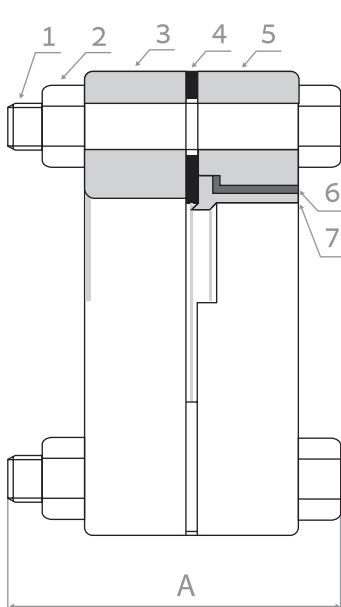
Features & Benefits

- Lead Free Dielectric Unions
- Used to properly connect different metal piping
- Prevents the deterioration of the pipe connections and stray induced electrical currents
- Unions available in: FIP x SWT, MIP x SWT, FIP x BPT, Flanged
- Meets ASTM F-492-95 and are temperature rated 110°C/230°F



MATERIAL SPECIFICATIONS

No.	Part	Materials
1	Bolts	Zinc Coated Steel
2	Nuts	Zinc Coated Steel
3	Flange	Cast Iron W/ Galvanized
4	Gasket	EPDM
5	Flange	Cast Iron W/ Galvanized
6	Insulator	Nylon
7	Solder Connection	Lead Free Brass



DIMENSIONS

Part#	Size	A	B
DUFS0212-NL	2-1/2"	3.54	6.11
DUFS0300-NL	3"	3.74	6.70

DIELECTRIC UNION - FEM X SWEAT FLANGED SPECIFICATION SHEET



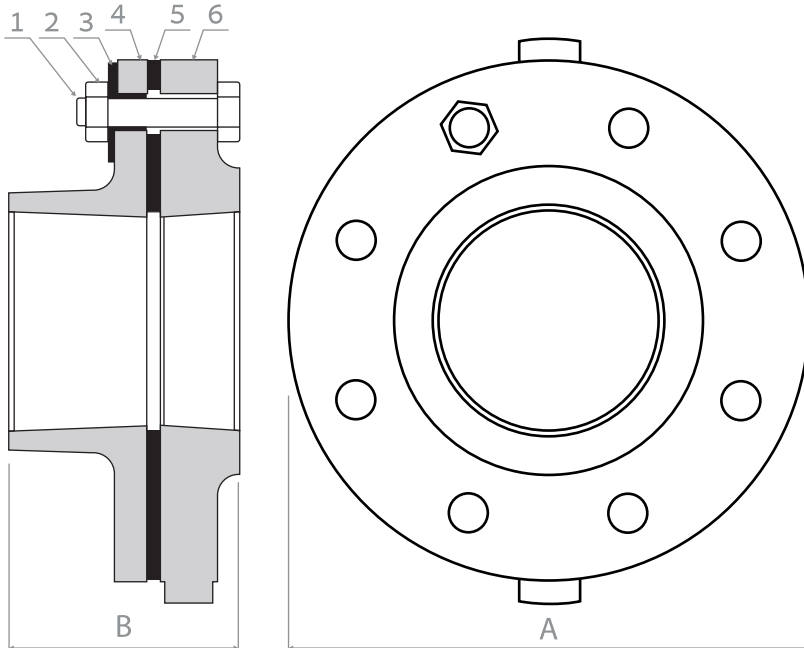
Features & Benefits

- Lead Free Dielectric Unions
- Used to properly connect different metal piping
- Prevents the deterioration of the pipe connections and stray induced electrical currents
- Unions available in: FIP x SWT, MIP x SWT, FIP x BPT, Flanged
- Meets ASTM F-492-95 and are temperature rated 110°C/230°F



MATERIAL SPECIFICATIONS

No.	Part	Materials
1	Bolts	Zinc Coated Steel
2	Nuts	Zinc Coated Steel
3	Plastic Gasket	EPDM
4	Flange	Brass
5	Rubber Washer	Nylon
6	Flange	Zinc Coated Cast Iron



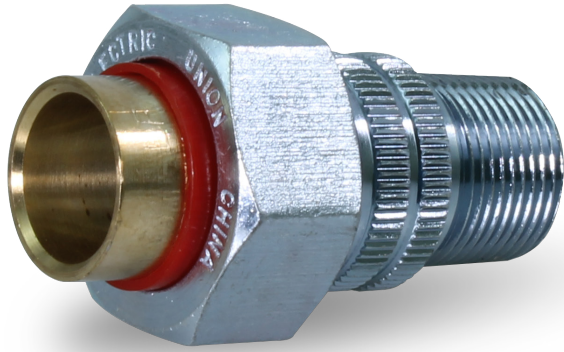
DIMENSIONS

Part#	Size	A	B
DUFS0400-NL	4"	9.14	4.53



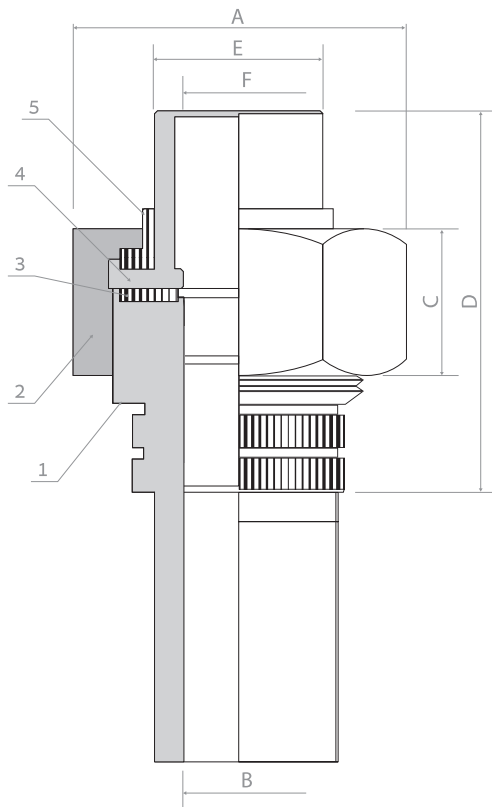
Features & Benefits

- Lead Free Dielectric Unions
- Used to properly connect different metal piping
- Prevents the deterioration of the pipe connections and stray induced electrical currents
- Unions available in: FIP x SWT, MIP x SWT, FIP x BPT, Flanged
- Meets ASTM F-492-95 and are temperature rated 110°C/230°F



MATERIAL SPECIFICATIONS

No.	Part	Materials
1	IPS Connection	Zinc Coat Steel
2	Nut	Zinc Coat Steel
3	Gasket	EPDM
4	Solder Connection	Brass
5	Insert	Nylon



DIMENSIONS

Part#	Size	A	B	C	D	E	F
DUMS0012-NL	1/2"	1.42	1.00	0.77	2.77	0.83	0.63
DUMS0034-NL	3/4"	1.61	1.26	0.77	3.05	1.06	0.88
DUMS3412-NL	3/4" x 1/2"	1.61	1.26	0.77	3.05	0.83	0.63



Features & Benefits



- 300 PSI
- Rated up to 230° F
- Approvals - ASTM A53, ANSI B1.20.1 & ASTM F492-95
- Sizes 3/4" - 4"

MATERIAL SPECIFICATIONS

Galvanized Dielectric Nipples

Pex Liner

Metal to Metal Design



THREAD X THREAD

Part#	Size
DNTT3425	3/4" x 2-1/2"
DNTT3430	3/4" x 3"
DNTT3440	3/4" x 4"
DNTT1025	1" x 2-1/2"
DNTT1030	1" x 3"
DNTT1040	1" x 4"
DNTT1140	1-1/4" x 4"
DNTT1540	1-1/2" x 4"
DNTT2040	2" x 4"
DNTT2560	2-1/2" x 6"
DNTT3060	3" x 6"
DNTT4060	4" x 6"

GROOVE X GROOVE

Part#	Size
DNGG2040	2" x 4"
DNGG2560	2-1/2" x 6"
DNGG3060	3" x 6"
DNGG4060	4" x 6"

THREAD X GROOVE

Part#	Size
DNTG2040	2" x 4"
DNTG2560	2-1/2" x 6"
DNTG3060	3" x 6"
DNTG4060	4" x 6"