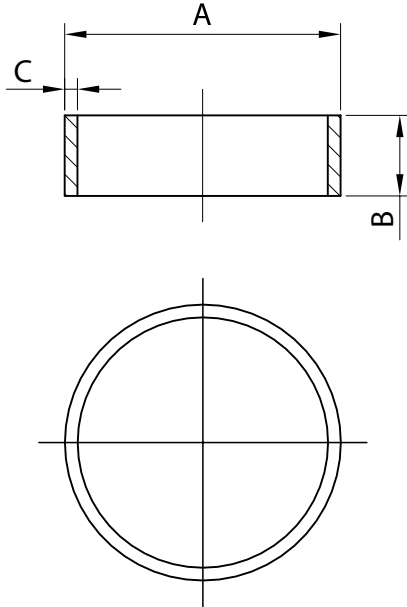


Features

- Pure, annealed copper rings
- For use with PEX SDR9 piping only
- Not for use with PB pipe

Specifications & Approvals

Conforms to ASTM F1807



Dimensions

Part#	Size	A	B	C
EPCR0038	3/8"	16.00	8.25	1.47
EPCR0012	1/2"	19.05	8.25	1.42
EPCR0058	5/8"	22.23	8.25	1.37
EPCR0034	3/4"	25.40	8.25	1.42
EPCR0100	1"	31.75	9.27	1.24
EPCR0114	1-1/4"	38.10	13.97	1.42
EPCR0112	1-1/2"	45.08	16.50	1.65
EPCR0200	2"	58.40	19.05	1.78