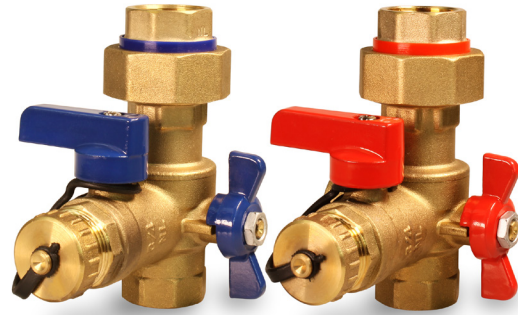


3/4" IPS CONNECTION • HOT & COLD • FULL PORT MAIN FLOW CHANNEL • LEAD FREE

Features

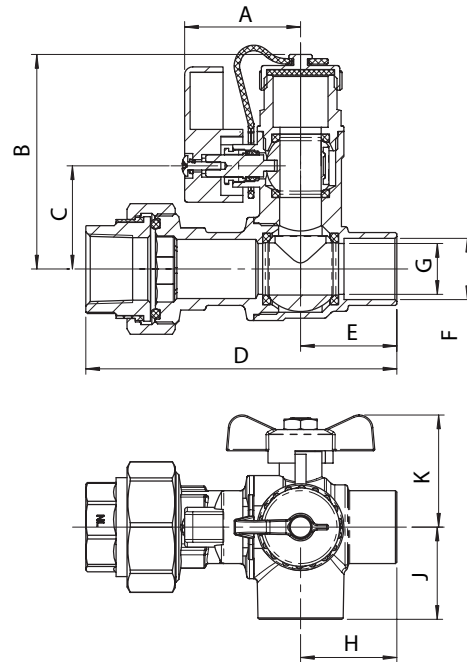
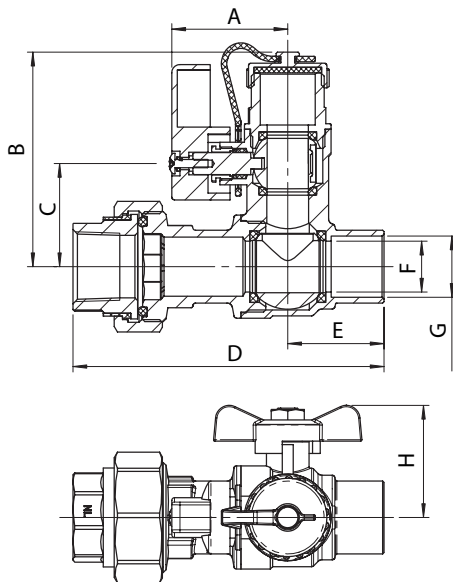
- Set of 2 Heavy Duty Forged Brass Ball Valves
- Full Port Main Flow Channel
- Large Drain Port Outlets
- Easy Identifications of Hot & Cold Valves
- Lead Free Compliant



Specifications & Approvals

600 WOG

- Certified to NSF/ANSI-61/372

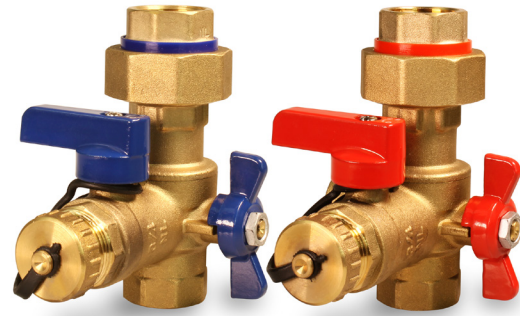
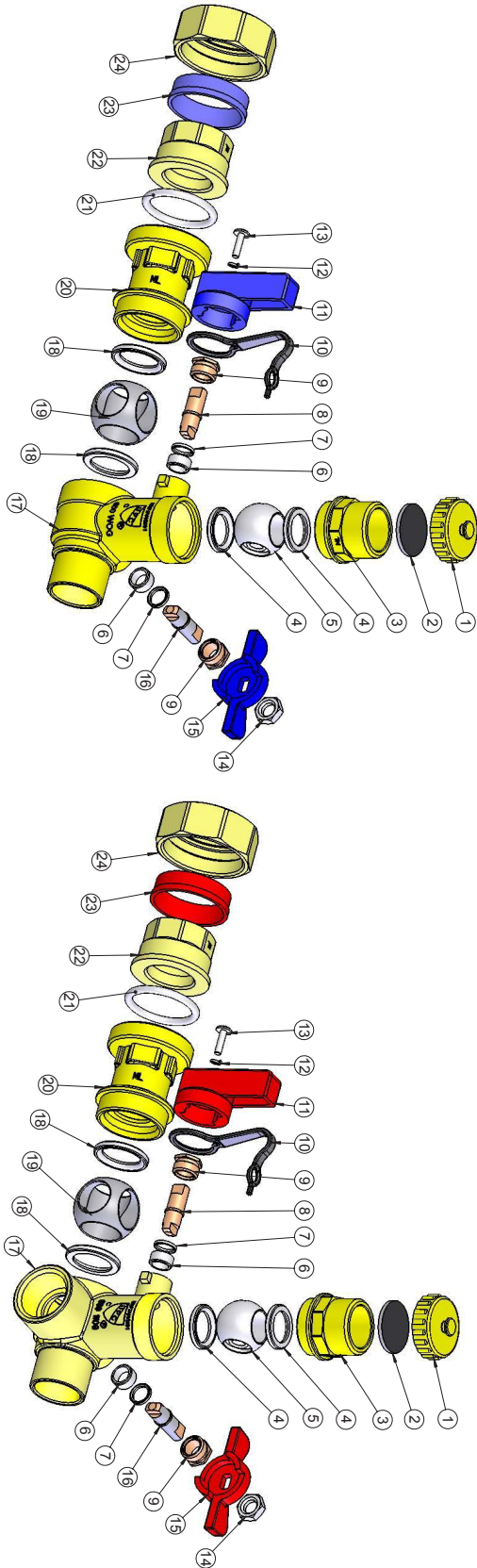


Dimensions - Cold Isolation Valve

Part #	Size	A	B	C	D	E	F	G	H
FTGV-ISO34	3/4"	42.2	78	37.5	113	35	18.5	22.28	40.8

Dimensions - Hot Isolation Valve

Part #	Size	A	B	C	D	E	F	G	H	J	K
FTGV-ISO34	3/4"	42.2	78	37.5	113	35	22.28	18.5	35	33.5	40.8



Material Specifications

Part Name	Material
1. Outlet Nut	HPb58-3
2. Rubber Gasket	EPDM
3. Male Bonnet	C46500
4. Seat	PTFE
5. Ball	C46500
6. Packing Gland	PTFE
7. Brass Disk	HPb56-4
8. Stem	C46500
9. Packing Nut	HPb56-4
10. Strip	PVC
11. Handle	Aluminium Alloy
12. Disk	Q235
13. Bolt	AISI304
14. Screw	Q235
15. Handle	Aluminium Alloy
16. Stem	C46500
17. Body	C46500
18. Seat	PTFE
19. Ball	C46500
20. Bonnet	C46500
21. O-Ring	EPDM
22. Tie-In	C46500
23. Sleeve	POM
24. Union Nut	HPb58-3

3/4" THREADED • MALE INLET AND FEMALE OUTLET

FTGPRV034 pressure only safety relief valve is designed specifically for the protection of hot water supply systems where over-pressure conditions are likely to occur as a result of thermal expansion. The valve automatically reseats after pressure relief. May be installed directly on the tank or in a tee and is appropriate for either side (hot or cold) of water heater.

Features

- Compact and economical
- Brass body
- Brass & Stainless Steel Internal Parts
- Performance tested

Specifications & Approvals

Set pressures 150 PSI (75 & 125 PSI available)
For Water Service

Certified to:

- ANSI Z21.22 / CSA 4.4
- ASME Boiler Code Section IV (see rating chart)



Rating Chart

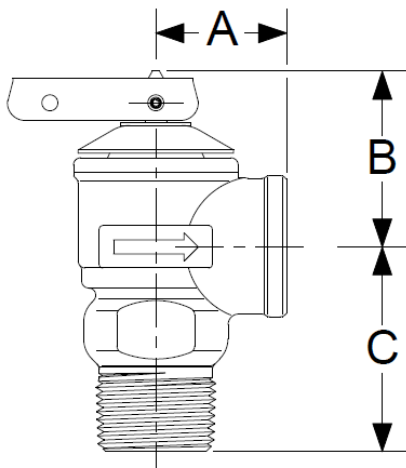
CSA (ANSI Z21.22 / CSA 4.4) and ASME (Boiler Code Section IV) Ratings

Type	Size (NPS)	CSA Rating (BTU/hr)	ASME Rating at Pressure Setting		
			75 psig	125 psig	150 psig
FTGV-PRV034	3/4"	200,000	N/R(1)	500,000	500,000

*(1) 75 PSIG Not CSA or ASME Rated

Dimensions

Part#	Size	A	B	C
FTGV-PRV034	3/4"	1-5/32"	1-9/16"	1-25/32"



Material Specifications

Part Name	Material
Body	Brass
Internal Parts	Brass and Stainless Steel
Seat Disc	Silicone
Pressure Spring	Stainless Steel