

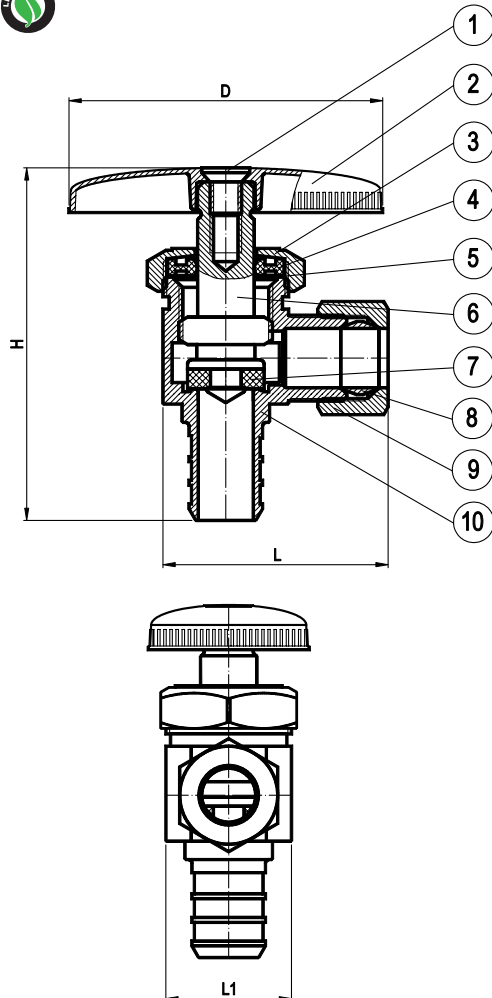
LEAD FREE • MULTI TURN ANGLE DESIGN • CHROME PLATED BRASS BODY

Features

- F1807 Crimp PEX Inlet
- One-piece Chrome Plated Brass Body Provides Strength, Durability and Long-Lasting Performance
- Oval Chrome Plated Zinc Handle Provides a Secure Grip and Smooth On/Off Operation
- Easy-to-Remove Handle with Screw Attachment
- Self Lubricating PTFE Seats and Double O-Ring for Added Safety
- Individually Bagged and Barcoded

Specifications & Approvals

125 psi Working Temperature: 120°F
 Conforms to ASME A112.18.1-2011/CSA B125.1-11
 NSF/ANSI 61/372



Available Ends: FIP/ SWT/ COMP/ CPVC/ PEX F1807 & PEX F1960

Dimensions

Part#	Size	H	L	L1	D
71512PR-NL	1/2" PEX X 3/8" COMP	57.5	36.5	20.5	51.2

Material Specifications

Part Name	Material
1. Bolt	JIS 3260 C2600W
2. Handle	Zinc Z30A 99,90-99, 95% ABS, Polyac PA-757
3. Bonnet	Brass B124 C37700
4. Packing	SE-719 / SN-719F
5. Washer	Stainless Steel 304
6. Stem	POM-M90 Polyacetal / Brass C46400
7. Seat Packing	SE-719 / SN-719F
8. Sleeve	Brass C27000
9. Packing Nut	Brass B124 C37700
10. Body	Brass C46400

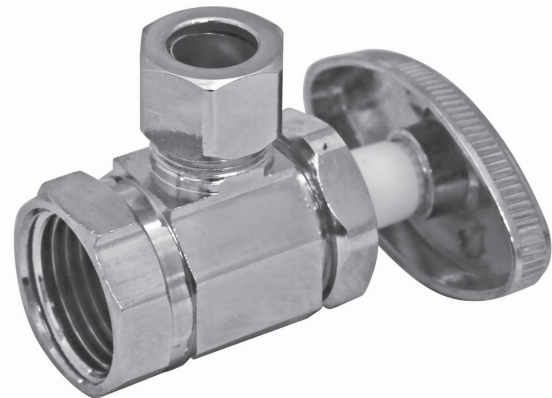
LEAD FREE • MULTI TURN ANGLE DESIGN • CHROME PLATED BRASS BODY

Features

- FIP Inlet
- One-piece Chrome Plated Brass Body Provides Strength, Durability and Long-Lasting Performance
- Oval Chrome Plated Zinc Handle Provides a Secure Grip and Smooth On/Off Operation
- Easy-to-Remove Handle with Screw Attachment
- Self Lubricating PTFE Seats and Double O-Ring for Added Safety
- Individually Bagged and Barcoded

Specifications & Approvals

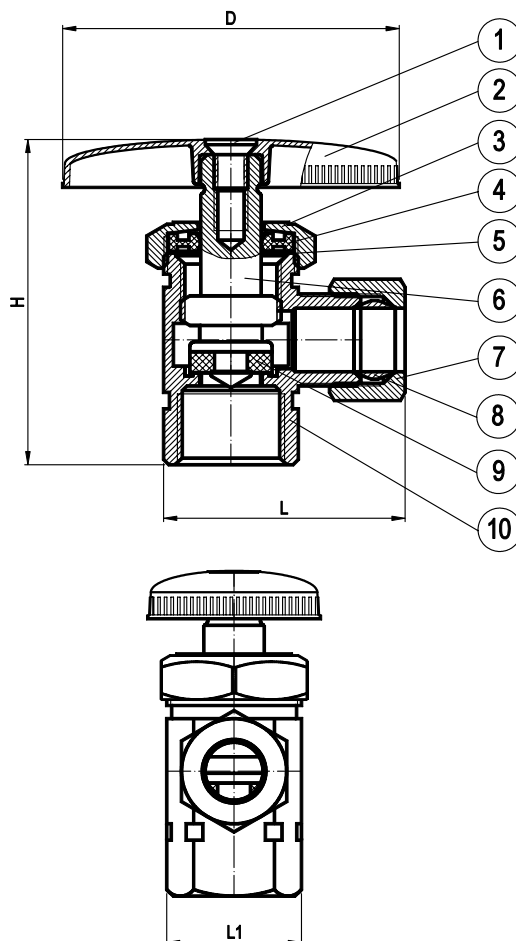
125 psi Working Temperature: 120°F
 Conforms to ASME A112.18.1-2011/CSA B125.1-11
 NSF/ANSI 61/372



Available Ends: FIP/ SWT/ COMP/ CPVC/ PEX F1807 & PEX F1960

Dimensions

Part#	Size	H	L	L1	D
71112PR-NL	1/2" FIP x 3/8" OD	49.5	39.75	24	51.2
71138PR-NL	3/8" FIP x 3/8" OD	49.5	36.75	20.5	51.2
71114PR-NL	1/2" FIP x 1/4" OD	50	39.9	24	51.2



Material Specifications

Part Name	Material
1. Bolt	JIS 3260 C2600W
2. Handle	Zinc Z30A 99,90-99, 95%
3. Bonnet	Brass B124 C37700
4. Packing	SE-719 / SN-719F
5. Washer	Stainless Steel 304
6. Stem	Brass C46400
7. Packing Nut	Brass B124 C37700
8. Sleeve	Brass C27000
9. Seat Packing	SE-719 / SN-719F
10. Body	Brass C46400

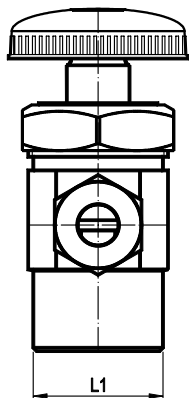
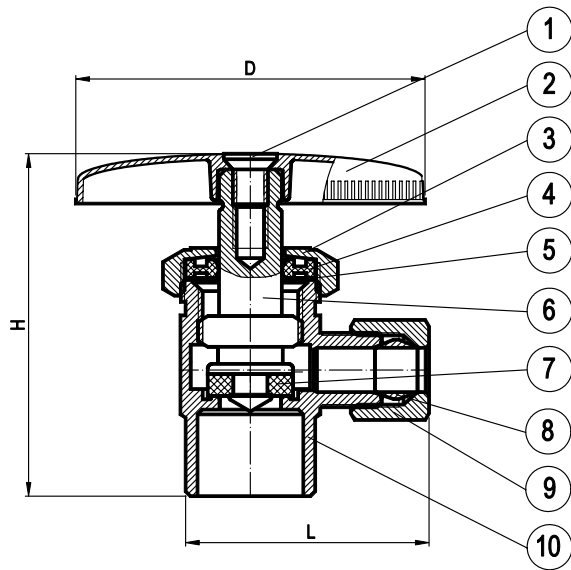
LEAD FREE • MULTI TURN ANGLE DESIGN • CHROME PLATED BRASS BODY

Features

- Sweat Inlet
- One-piece Chrome Plated Brass Body Provides Strength, Durability and Long-Lasting Performance
- Oval Chrome Plated Zinc Handle Provides a Secure Grip and Smooth On/Off Operation
- Easy-to-Remove Handle with Screw Attachment
- Self Lubricating PTFE Seats and Double O-Ring for Added Safety
- Individually Bagged and Barcoded

Specifications & Approvals

125 psi Working Temperature: 120°F
 Conforms to ASME A112.18.1-2011/CSA B125.1-11
 NSF/ANSI 61/372



Available Ends: FIP/ SWT/ COMP/ CPVC/ PEX F1807 & PEX F1960

Dimensions

Part#	Size	H	L	L1	D
71214PR-NL	1/2" SWT x 1/4" OD	49	35.5	19	51.2
71212PR-NL	1/2" SWT x 3/8" OD	50	36	19	51.2

Material Specifications

Part Name	Material
1. Bolt	JIS 3260 C2600W
2. Handle	Zinc Z30A 99,90-99, 95%
3. Bonnet	Brass B124 C37700
4. Packing	SE-719 / SN-719F
5. Washer	Stainless Steel 304
6. Stem	Brass C46400
7. Packing Nut	Brass B124 C37700
8. Sleeve	Brass C27000
9. Seat Packing	SE-719 / SN-719F
10. Body	Brass C46400

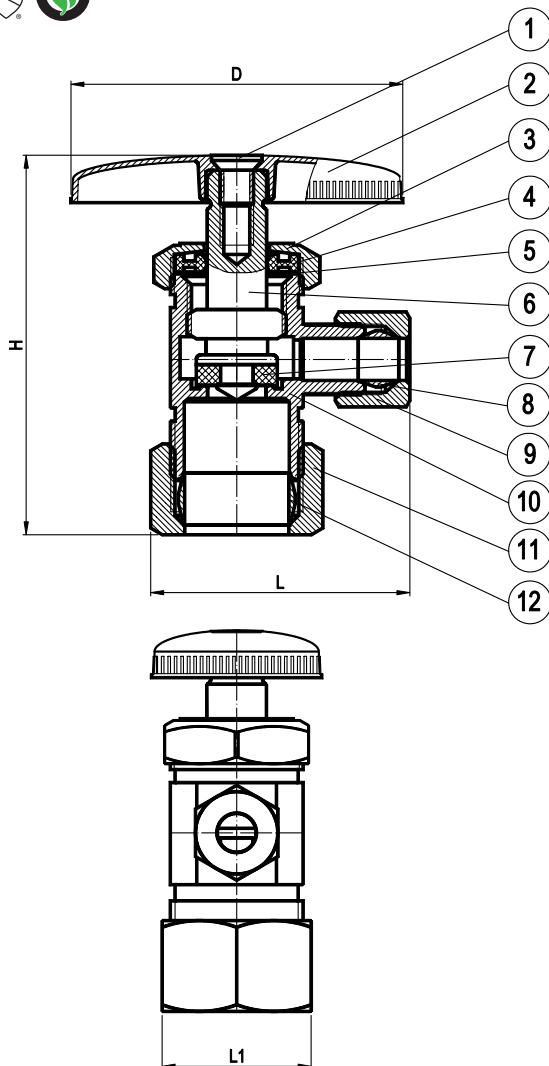
LEAD FREE • MULTI TURN ANGLE DESIGN • CHROME PLATED BRASS BODY

Features

- Compression Nut Inlet
- One-piece Chrome Plated Brass Body Provides Strength, Durability and Long-Lasting Performance
- Oval Chrome Plated Zinc Handle Provides a Secure Grip and Smooth On/Off Operation
- Easy-to-Remove Handle with Screw Attachment
- Self Lubricating PTFE Seats and Double O-Ring for Added Safety
- Individually Bagged and Barcoded

Specifications & Approvals

125 psi Working Temperature: 120°F
 Conforms to ASME A112.18.1-2011/CSA B125.1-11
 NSF/ANSI 61/372



Available Ends: FIP/ SWT/ COMP/ CPVC/ PEX F1807 & PEX F1960

Dimensions

Part#	Size	H	L	L1	D
71358PR-NL	5/8" OD x 3/8" OD	58	39.75	23	51.2
71514PR-NL	5/8" OD x 1/4" OD	58.5	39.8	23	51.2

Material Specifications

Part Name	Material
1. Bolt	JIS 3260 C2600W
2. Handle	Zinc Z30A 99,90-99, 95%
3. Bonnet	Brass B124 C37700
4. Packing	SE-719 / SN-719F
5. Washer	Stainless Steel 304
6. Stem	Brass C46400
7. Seat Packing	SE-719F / SN-719F
8. Sleeve	Brass C27000
9. Packing Nut	Brass B124 C37700
10. Body	Brass C46400
11. Packing Nut	Brass B124 C37700
12. Sleeve	Brass C27000

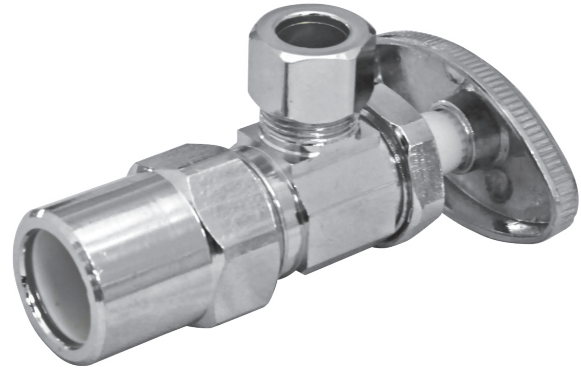
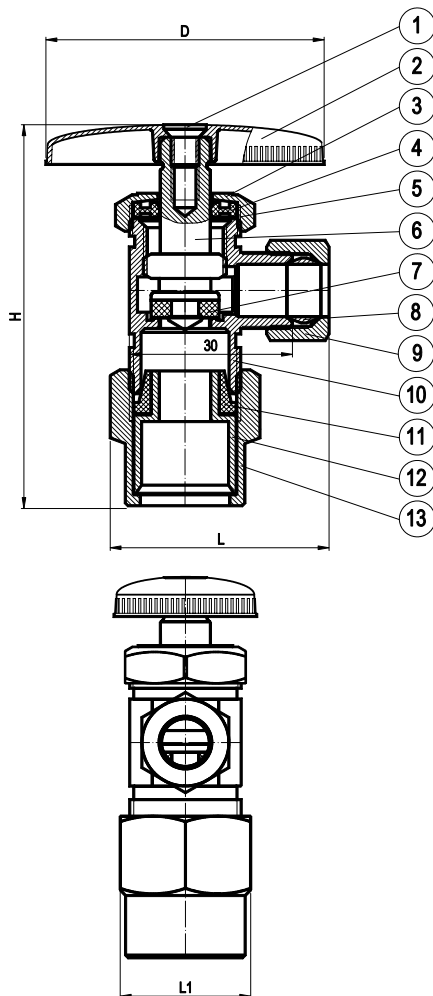
LEAD FREE • MULTI TURN ANGLE DESIGN • CHROME PLATED BRASS BODY

Features

- CPVC Inlet
- One-piece Chrome Plated Brass Body Provides Strength, Durability and Long-Lasting Performance
- Oval Chrome Plated Zinc Handle Provides a Secure Grip and Smooth On/Off Operation
- Easy-to-Remove Handle with Screw Attachment
- Self Lubricating PTFE Seats and Double O-Ring for Added Safety
- Individually Bagged and Barcoded

Specifications & Approvals

125 psi Working Temperature: 120°F
 Conforms to ASME A112.18.1-2011/CSA B125.1-11
 NSF/ANSI 61/372



Available Ends: FIP/ SWT/ COMP/ CPVC/ PEX F1807 & PEX F1960

Dimensions

Part#	Size	H	L	L1	D
71412PR-NL	1/2" CPVC x 3/8" OD	70.5	40	24	51.2

Material Specifications

Part Name	Material
1. Bolt	JIS 3260 C2600W
2. Handle	Zinc Z30A 99,90-99, 95%
3. Bonnet	Brass B124 C37700
4. Packing	SN-719F
5. Washer	Stainless Steel 304
6. Stem	Brass C46400
7. Seat Packing	SN-719F
8. Sleeve	Brass C46400
9. Packing Nut	Brass B124 C37700
10. Body	Brass C46400
11. Packing	SN-719F
12. CPVC	POM-M90 Polyacetal
13. Packing Nut	Brass B124 C37700