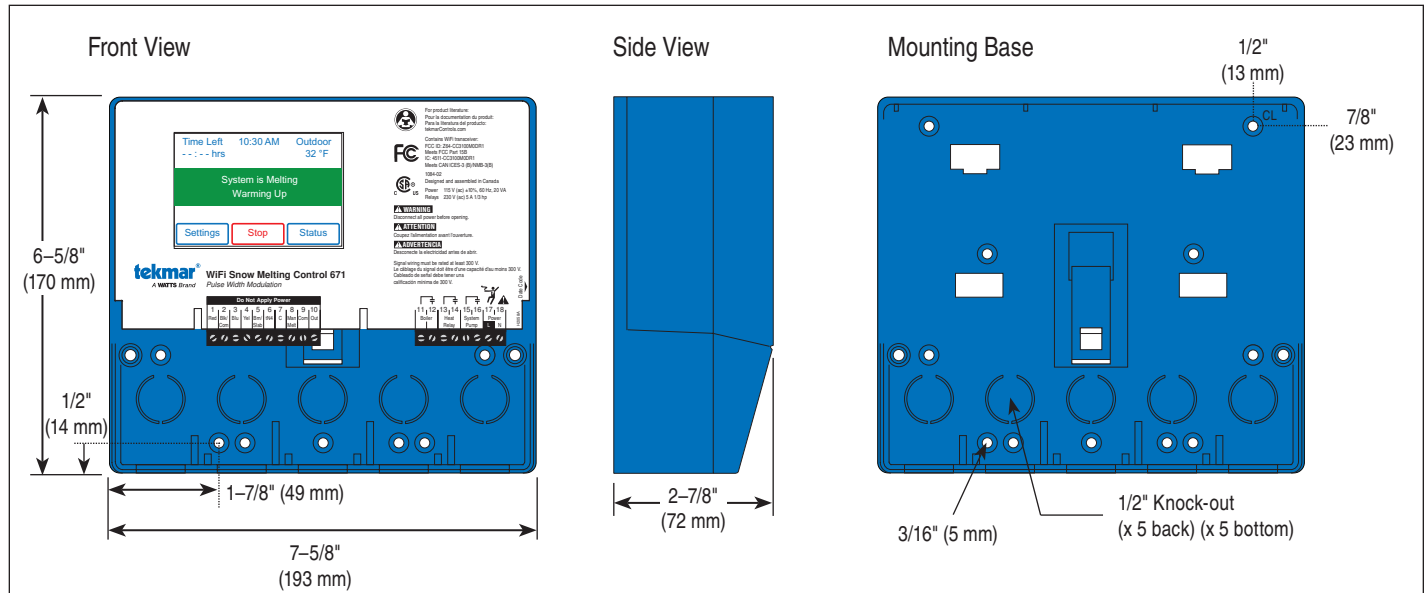


Submittal

Job _____ Designer _____ Contact _____

WiFi Snow Melting Control 671

The WiFi Snow Melting Control 671 operates hydronic and electric heating equipment designed to melt snow and/or ice from roads and walkways surfaces. The control works with tekmar Snow/Ice Sensor 090 or Snow Sensor 095 to automatically detect snow or ice and operates a single boiler, steam valve or electric cable to supply heat to the slab.



Specifications

WiFi Snow Melting Control 671 Boiler	
Literature	671_A, 671_C, 671_D, 671_J, 671_U
Control	Microprocessor control. This is not a safety (limit) control
Packaged weight	4.3 lb. (1960 g)
Dimensions	6-5/8" H x 7-9/16" W x 2-13/16" D (170 x 193 x 72 mm)
Display	3.5" color touchscreen
Enclosure	Blue PVC plastic, NEMA type 1
Approvals	CSA C US, meets Class B: ICES & FCC Part 15
Ambient conditions	-4 to 122°F (-20 to 50°C), < RH 90% non-condensing, outdoor use permitted when installed inside a NEMA 3 enclosure
Power supply	115 V (ac) ±10%, 60 Hz, 20 VA
Relays	230 V (ac), 5 A, 1/3 hp
Manual melt call	Short or 0 - 32 V(ac)
Communications	WiFi 802.11n, 2.4 GHz, WPA2 encryption
Sensor	NTC thermistor, 10 kΩ @ 77°F (25°C ±0.2°C) β=3892
-Included	Outdoor Sensor 070
-Optional	tekmar type # 072, 073, 087, 090, 094, 095
Warranty	Limited 3 Year (See 671_D for full warranty)

Features

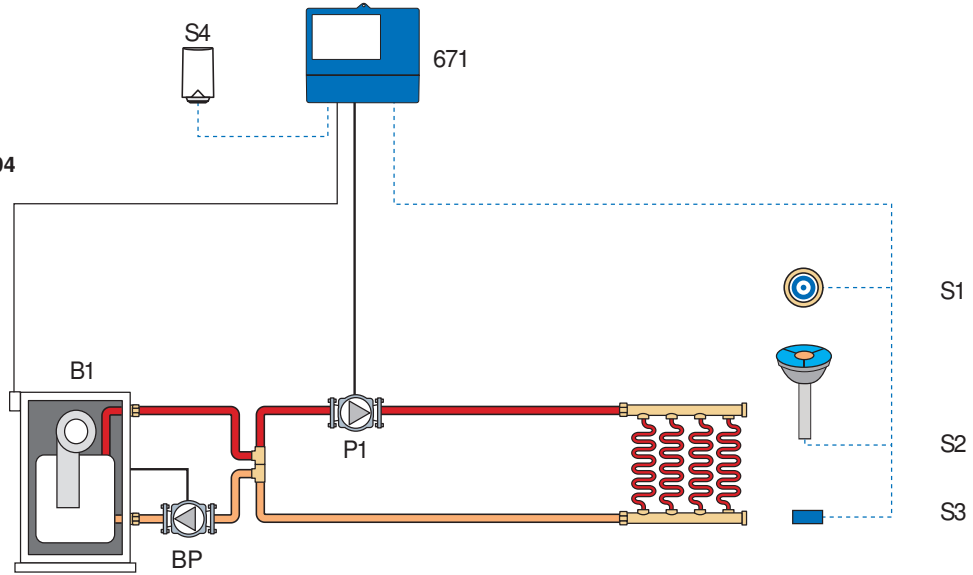
- Automatic software updates
- Automatic snow/ice detection
- Supports both inslab & retrofit aerial sensors
- Supports multiple zones with priority
- Manual Storm
- Idling
- Warm Weather Shut Down
- Cold Weather Cut Off
- EconoMelt
- Tandem Snow/Ice Detection
- Equipment exercising

Example Application

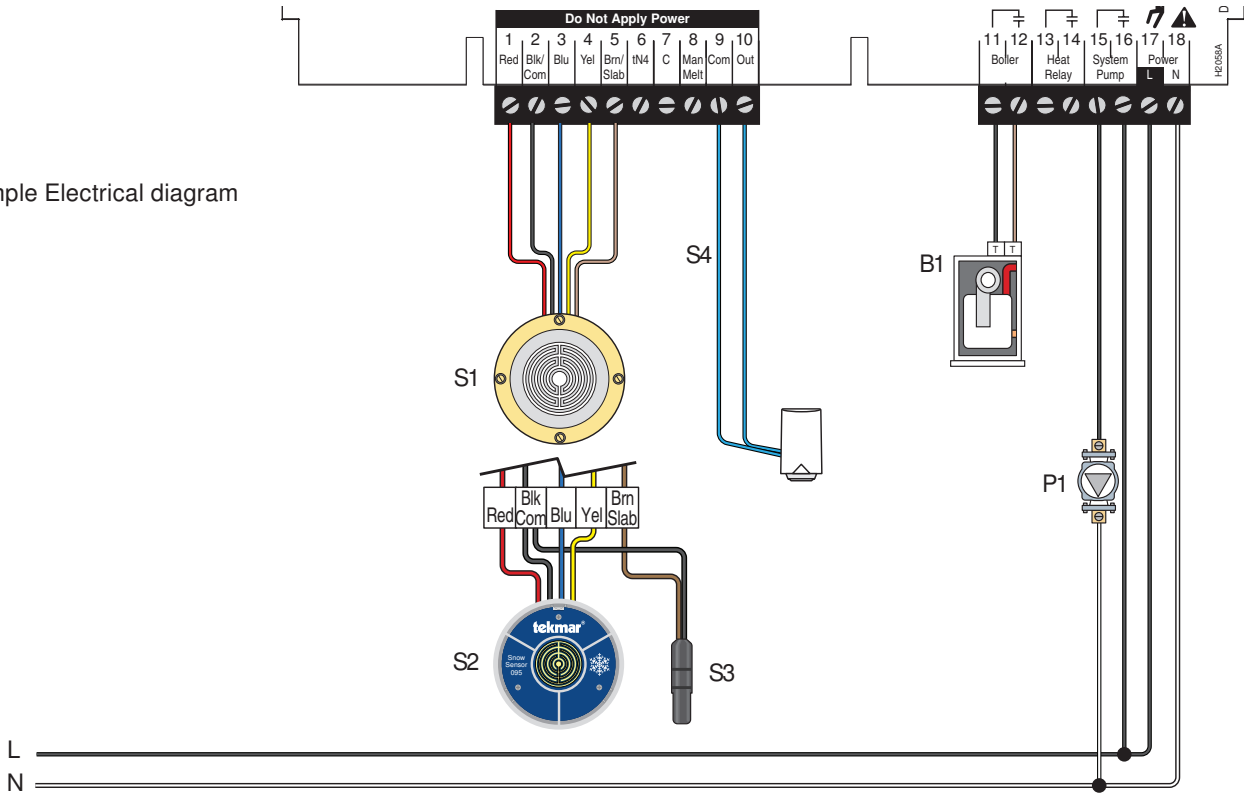
Sample Mechanical diagram

Legend

- B1 = Boiler**
- BP = Boiler Pump**
- P1 = System Pump**
- S1 = Snow/Ice Sensor 090 or 094**
- S2 = Snow Sensor 095**
- S3 = Slab Sensor 072 or 073**
- S4 = Outdoor Sensor 070**



Sample Electrical diagram



CAUTION

This Submittal is not intended to provide full installation instructions and safety information. In order to avoid property damage or injury, please refer to the complete installation manual and product safety information provided with the product.



A WATTS Brand

All specifications are subject to change without notice.

Tel: 1-800-438-3903 • F: (250) 984-0815
tekmarControls.com