

SPRINKLER HEAD GUARD

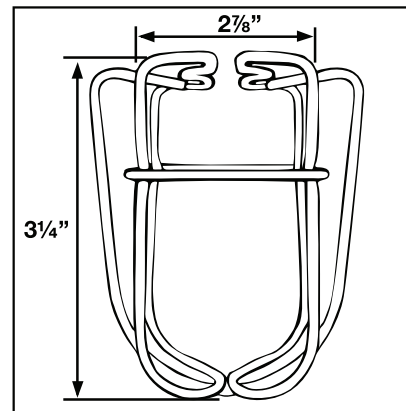
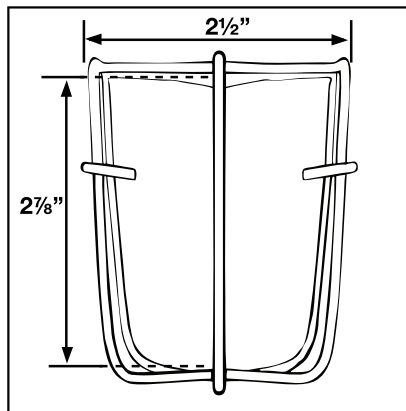
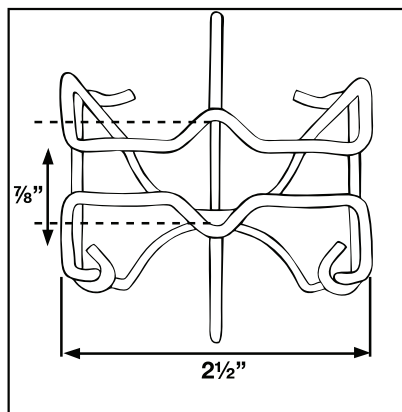
RED OR CHROME

MODEL LVHDGD



FEATURES:

Sprinkler Head guards provide sprinkler head protection from occasional light contact in warehouses, institutional and other applications where occupancy exposes the head to potential damage. Guards do not protect from direct impact or abuse.



PROJECT		APPROVAL STAMP
PROJECT:		<input type="checkbox"/> APPROVED
ADDRESS:		<input type="checkbox"/> APPROVED AS NOTED
ENGINEER:		<input type="checkbox"/> NOT APPROVED
SUBMITTAL DATA:		REMARKS:
NOTES 1:		
NOTES 2:		