

SUBMITTAL SHEET

JOB NAME		ITEM TAG
JOB LOCATION		PART NUMBER
CONTRACTOR	DATE	
ENGINEER APPROVAL	DATE	



LEAD-FREE PACK JOINT X MNPT ADAPTER
T-4300NL

Designed and manufactured for the repair of, or new underground water service applications only.

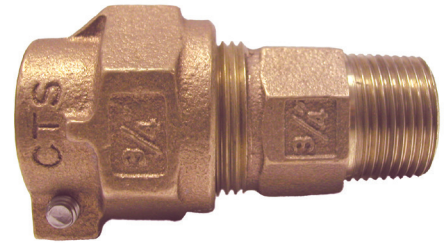
CTS pack-joint end connections provide the maximum pullout resistance against internal pressure variations and backfilling stress. They are designed to be installed onto the following tubing types: Type K or L copper water tubing compliant with ASTM B88; Polyethylene plastic tubing compliant with ASTM D2737 SDR 9 (insert stiffener required).

Insert stiffeners (Model T-4500, sold separately) are required at each pack-joint connection, when installing Polyethylene (PE) plastic tubing.

Available in nominal sizes 1/2" to 2" copper-tubing-size x MNPT

Working Pressure, Non Shock (PSI)

3/4" - 1" - 100 psi up to 100° F
1-1/4" - 2" - 80 psi up to 100° F

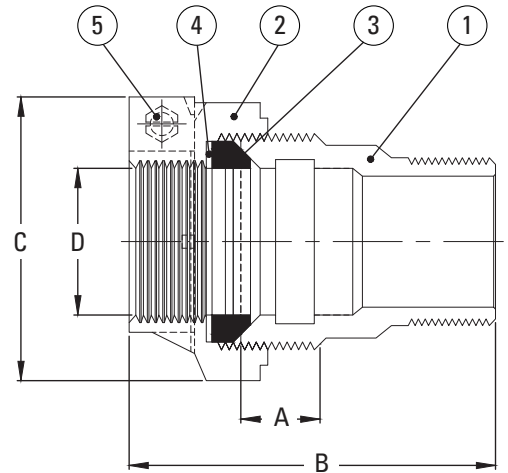


Pictured:
T-4300NL

MATERIAL SPECIFICATION		
PART	MATERIAL	SPECIFICATION
1 Body	Lead-free cast bronze	ASTM B584 UNS C89836
2 Pack-joint nut	Cast bronze	ASTM B584 UNS C89836
3 Pack-joint gasket	Buna-N (NBR) nitrilic rubber	Commercial grade
4 Pack-joint anti-friction ring	Nylon* resin	Commercial grade
5 Pack-joint clamp bolt	Stainless steel	AISI grade 304

*Nylon is a registered trademark of The Dow DuPont Company.

DIMENSIONS					
Size	A	B	C	D	Item No.
3/4"	0.44	3.17	1.55	0.89	313-204NL
1"	0.48	3.63	1.83	1.14	313-205NL
1-1/4"	0.75	3.76	2.43	1.39	313-206NL
1-1/2"	0.59	4.08	2.42	1.67	313-207NL
2"	0.84	4.84	2.97	2.13	313-208NL



Pictured:
T-4300NL
Cut-away

Certifications/Listings:

Third-party certified.
ANSI/NSF 61: Drinking water system components health effects.
ANSI/NSF 372: Drinking water system components-lead content.

Standards:

AWWA C800: Underground service line valves and fittings.
ANSI/ASME B1.20.1: Pipe threads, general purpose, Inch.