



Model RM-2 Riser Manifold

Efficient riser manifold with ultimate sealing design



Features and benefits

- Test and drain valve with integrated pressure relief offers the ultimate sealing design
- Compact, pre-assembled design
- Horizontal or vertical installation
- UL and UL-C Listed and assembled with FM Approved components

Hardwearing, integrated and easy to install

At-a-glance

The Tyco® RM-2 Riser Manifold is factory-assembled and arrives ready to install. This integrated solution includes: TD-2 test and drain valve, CV-1 check valve, flow switch, and BFV-300 butterfly valve. The grooved coupling assembly adds flexibility to orient components as best fits the specific installation.

The robust design of the TD-2 test and drain valve is intended to stand up to the wear and tear that typically results in leakage. It has an adjustable range of 100 psi (6.9 bar) to 310 psi (21.4 bar). Excess system pressure is exhausted internally through the drain outlet.

The RM-2 Riser Manifold is available in sizes 2-inch (DN50) through 6-inch (DN150). The TD-2 test and drain valve is available in two sizes/test orifices: a 1-1/4-inch with 2.8K orifice model, and a 2-inch with 4.2K orifice model.

Learn more at www.tyco-fire.com

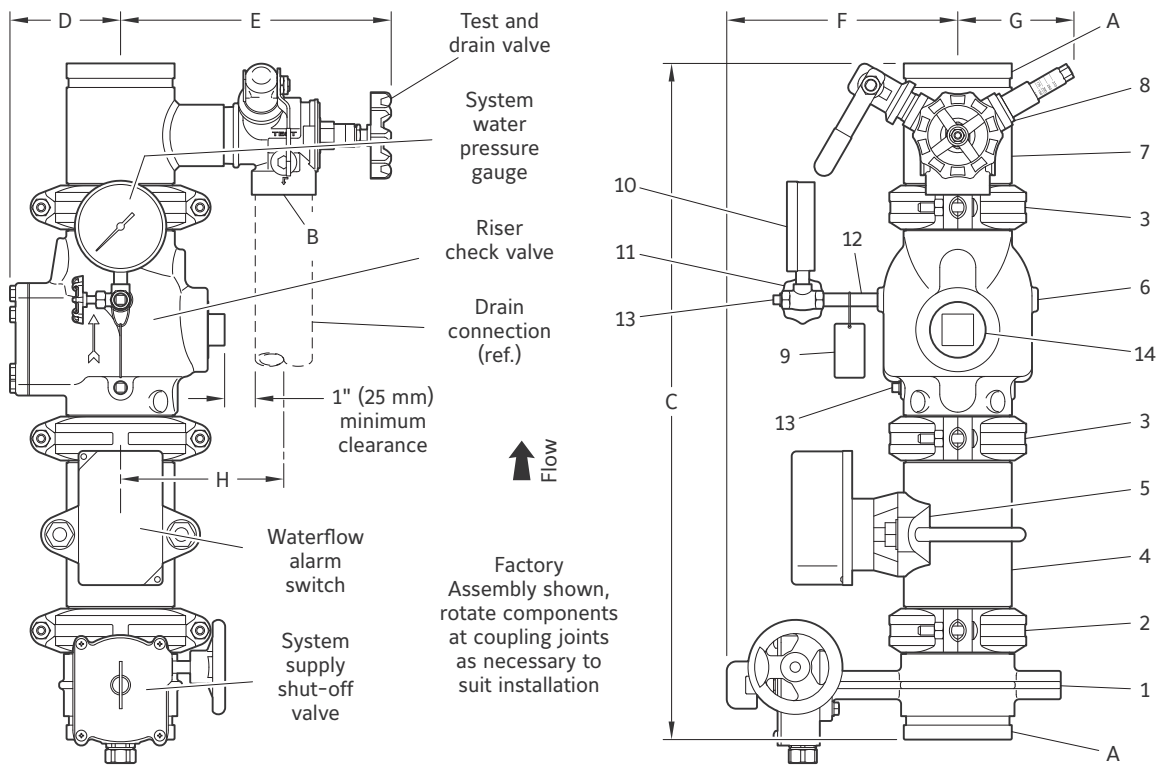




RM-2 Riser Manifold

Figure 1: Model RM-2 Riser Manifold standard assembly and dimensions

Nominal Valve Size, in. (DN)		Nominal Dimensions, in. (mm)					
A	B	C	D	E	F	G	H
2 (DN50)	1-1/4 NPT	23.5 (597)	2.6 (66)	9.4 (239)	8.4 (213)	4.7 (119)	5.1 (130)
2-1/2 (DN65)		24.8 (630)	3.5 (89)	10.0 (254)	8.4 (213)		5.7 (145)
3 (DN80)		25.2 (640)	3.7 (94)	10.2 (259)	8.6 (218)		5.9 (150)
4 (DN100)	2 NPT	28.2 (716)	4.6 (117)	11.1 (282)	9.6 (244)	5.0 (127)	6.6 (168)
6 (DN150)		31.3 (795)	5.9 (150)	12.0 (305)	11.4 (290)		7.5 (191)



Customer Service: Tel: 800.558.5236 • Fax: 800.877.1295
 Technical Service: Tel: 800.381.9312 • Fax: 800.791.5500

www.tyco-fire.com

© 2021 Johnson Controls. All rights reserved. FS2101016a_Letter

Always refer to Technical Data Sheets TFP964 (RM-2) and TFP965 (TD-2), as well as our general terms and conditions of sale, for a complete description of all criteria, design parameters, installation instructions, care and maintenance guidelines, and other terms, including our limited warranty.

The power behind your mission

