

Installation Instructions

for use by heating contractor



Boiler Stand

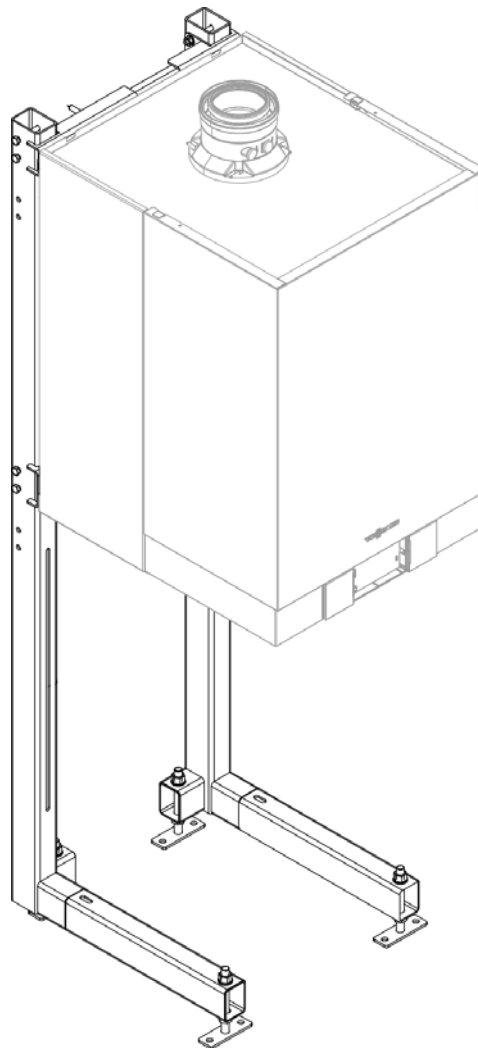
For use with: Vitodens 200-W B2HA/B2HB 160-530
Part number: 7658026

Safety and Installation Requirements

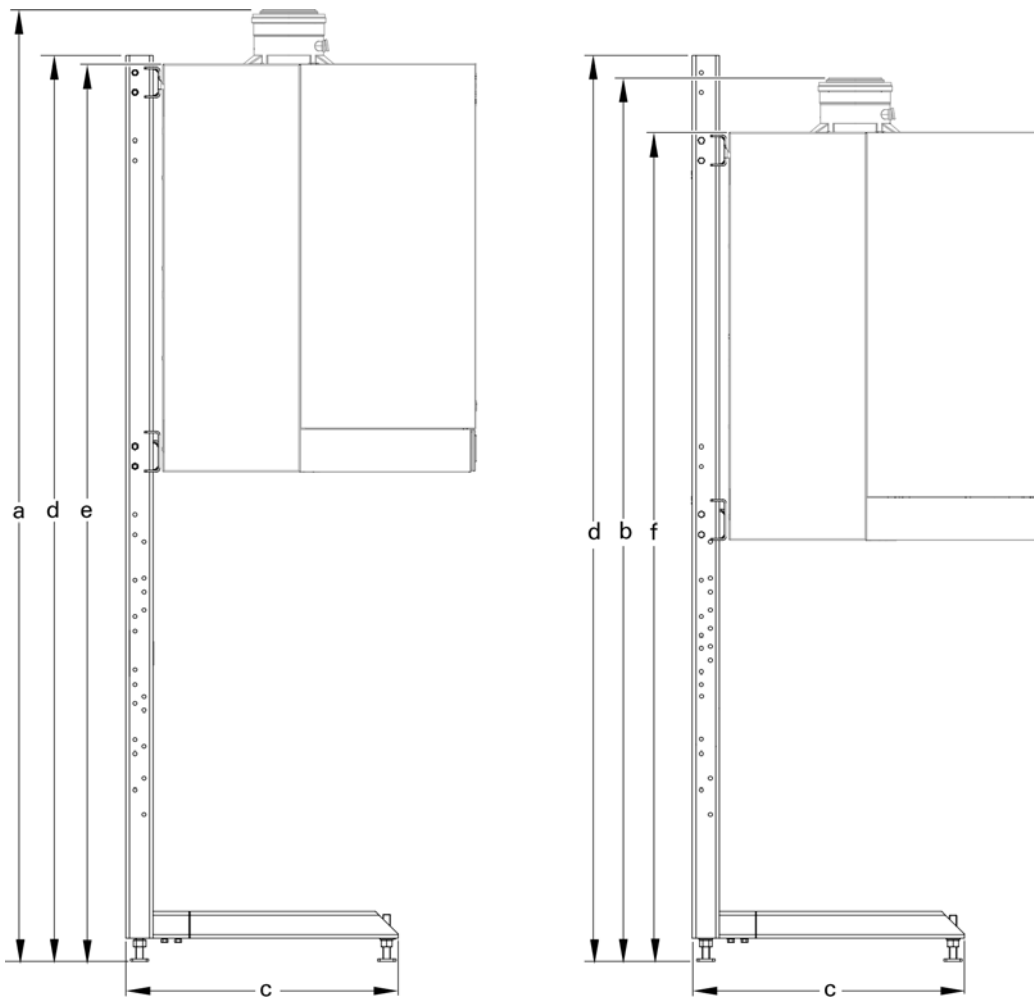
Please ensure that these instructions are read and understood before starting any service work. Failure to comply with these instructions may cause product/property damage, severe personal injury and/or loss of life.

Working on the equipment

The installation, adjustment, service and maintenance of this product must be performed by a licensed professional heating contractor who is qualified and experienced in the installation, service, and maintenance of hot water boilers. There are no user serviceable parts on the boiler, burner or control.

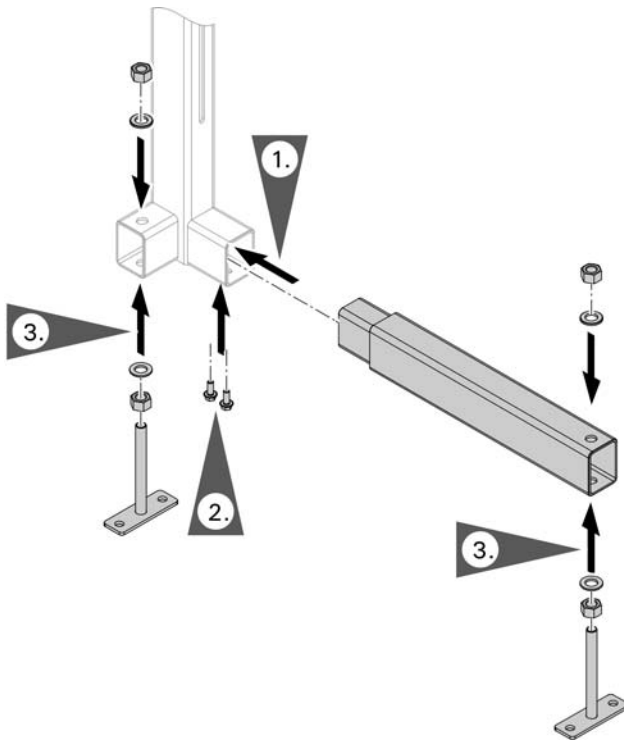


Dimensions



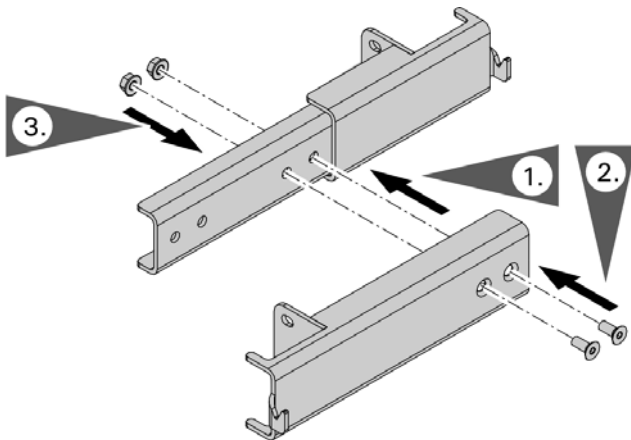
Vitodens 200-W	a	b	c	d	e	f
160, 199, 285, 311, 352 MBH	79½ in. (2020 mm)	73⅝ in. (1870 mm)	24½ in. (620 mm)	78½ in. (1995 mm)	77¾ in. (1975 mm)	71⅞ in. (1825 mm)
399, 530 MBH	82½ in. (2095 mm)	76½ in. (1945 mm)	24½ in. (620 mm)	78½ in. (1995 mm)	77¾ in. (1975 mm)	71⅞ in. (1825 mm)

Install Feet to Stand



1. Insert the feet tubing into the lower portion of the stand frame.
2. Insert two M10 Hex 15 bolts into threaded holes to secure the feet tubing.
3. Install the adjustable feet with M16 nuts and washers (one into the stand frame and one into the feet tubing).
4. Repeat steps 1, 2 and 3 for the other side.

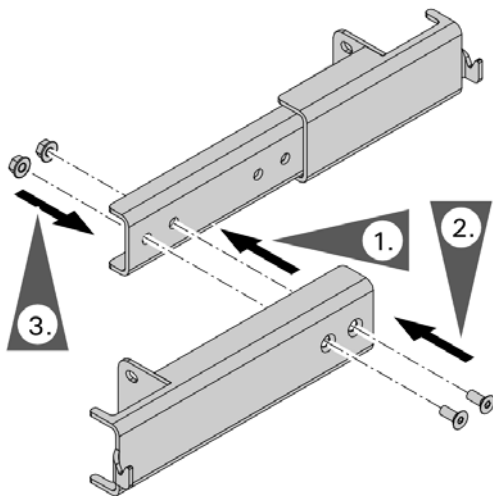
Upper Support Assembly



Vitodens 200-W 160, 199, 285, 311, 352

The upper support incorporates hooks for boiler mounting and a wall mounting bracket.

1. Connect the 2 upper support sections together as shown and fasten with M8 countersink bolts and Hex 13 nuts.

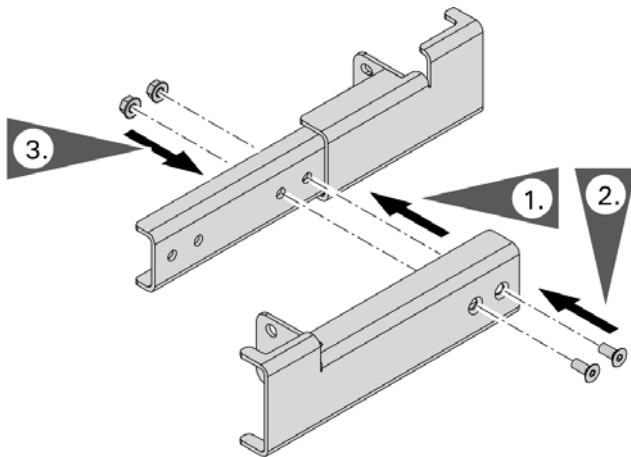


Vitodens 200-W 399, 530

The upper support incorporates hooks for boiler mounting and a wall mounting bracket.

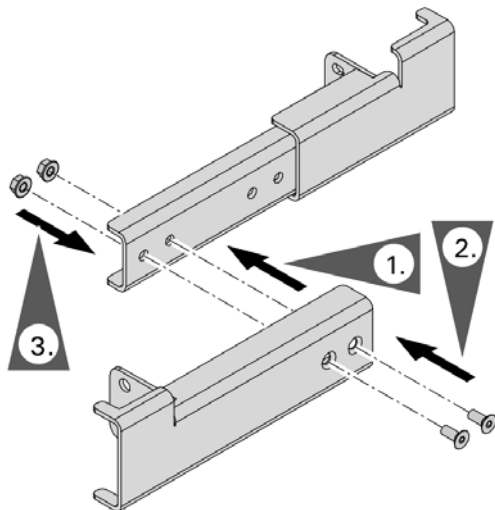
1. Connect the 2 upper support sections together as shown and fasten with M8 countersink bolts and Hex 13 nuts.

Lower Support Assembly



Vitodens 200-W 160, 199, 285, 311, 352

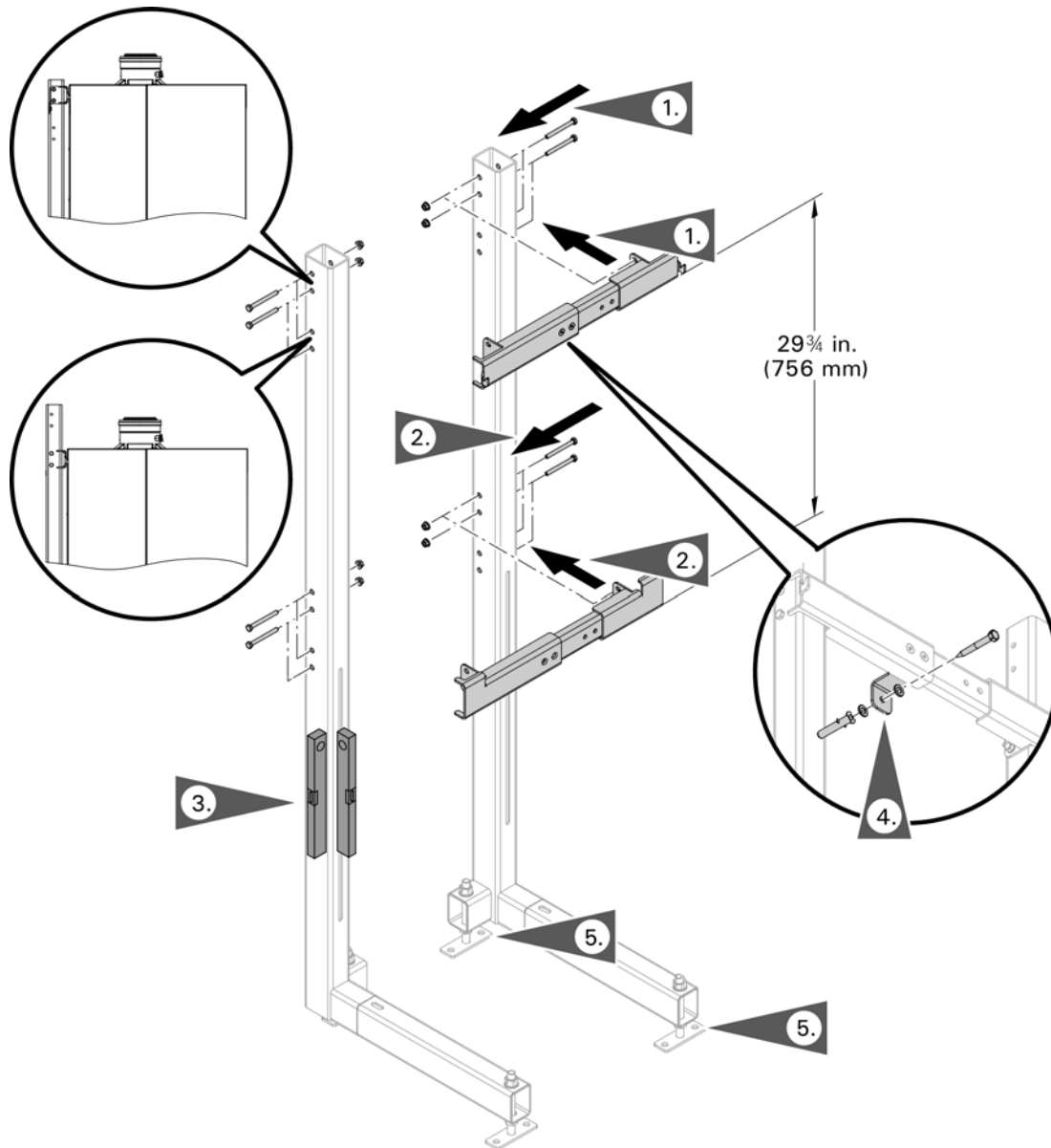
1. Connect the 2 lower support sections together as shown and fasten with M8 countersink bolts and Hex 13 nuts.



Vitodens 200-W 399, 530

1. Connect the 2 lower support sections together as shown and fasten with M8 countersink bolts and Hex 13 nuts.

Install Upper and Lower Support to Stand



CAUTION

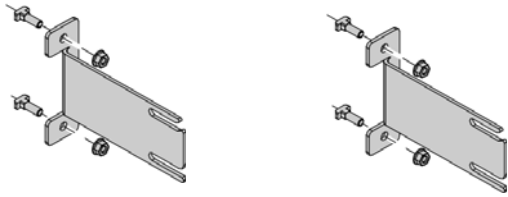
The boiler must be level both vertically and horizontally to ensure proper draining of the condensate.

IMPORTANT

Support the frame during the installation of the boiler.

1. Attach the upper support assembly to the stand with M10 bolts and Hex 15 nuts.
2. Attach the lower support assembly to the stand with M10 bolts and Hex 15 nuts.
3. Ensure the stand is vertically and horizontally level.
4. Secure the stand to the wall with the bracket incorporated into the upper support.
5. Ensure that the stand is securely fastened to the floor (recommended concrete expansion anchors are Hilti model KB-TZ 3/8 x 4 or equivalent).

Discard Brackets



1. There are two brackets included with the stand. These are not required for the Vitodens 200-W B2HA/B2HB 160-530 boilers (for use with other equipment).



Printed on environmentally friendly
(recycled and recyclable) paper.

Technical information subject to change without notice.

Viessmann Manufacturing Company Inc.
750 McMurray Road
Waterloo, Ontario • N2V 2G5 • Canada
TechInfo Line 1-888-484-8643
1-800-387-7373 • Fax (519) 885-0887
www.viessmann.ca • info@viessmann.ca

Viessmann Manufacturing Company (U.S.) Inc.
45 Access Road
Warwick, Rhode Island • 02886 • USA
TechInfo Line 1-888-484-8643
1-800-288-0667 • Fax (401) 732-0590
www.viessmann-us.com • info@viessmann-us.com