

ApolloPress tee (P x P x P)



group: 811 **category:** fittings **product line:** Apollo ApolloPress

The ApolloPress® 811 Small Diameter Press Tee features a lead free dezincification resistant copper body and an EPDM o-ring. ApolloPress® products are manufactured utilizing proven ASTM materials and standards.

- Lead Free Construction
- Leak Before Press® Technology

applications

potable water, heating, cooling, steam, compressed air, sprinkler, vacuum

segments

fire protection , utility , industry

approvals

CRN , FM , IAPMO/ANSI/CAN Z1117 , ICC LC1002 , NSF/ANSI 372 , NSF/ANSI 61 , UL , ULc

assortment

item code	size	dimensions	weight	packaging	gtin + upc
10077739	1/2"	1.78x3.04x0.95 "	0.2 lb	-	00683264777392
10077740	3/4"	2.17x3.47x1.24 "	0.39 lb	-	00683264777408
10077742	1 1/4"	2.94x4.12x1.75 "	0.62 lb	-	00683264777422
10077744	2"	4.17x5.75x2.58 "	1.86 lb	-	00683264777446

specifications - characteristics

color	copper
materials	copper (CW024A (UNS C12200))
finishing	none
shape	T-piece (90°)
connection type	press (V), Press (V)
sealing	EPDM

specifications - general

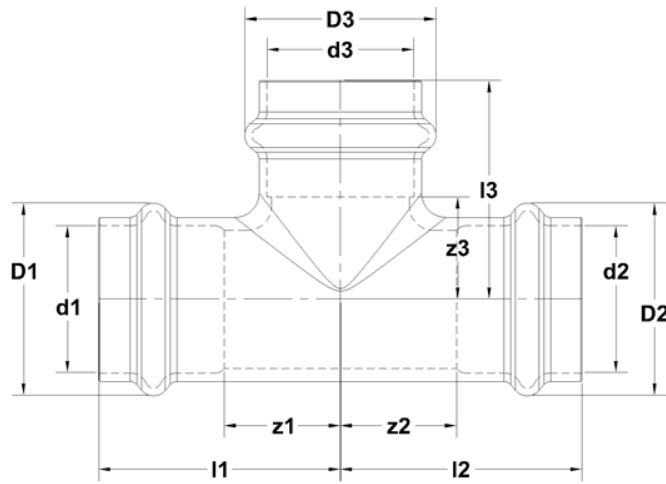
product group	fittings
ETIM class	EC003025 Fitting with 3 connections
country of origin	United States
brand	Apollo
series	ApolloPress
product type	811
unsps	40174612

specifications - technical

max operating pressure liquid	300 psi
min. medium temperature	32 °F
max medium temperature	250 °F

dimensions

item code	size	d1	DN1	l1	z1	d2	DN2	l2	z2	d3	DN3	l3	z3
10077739	1/2"	0.63	1/2"	1.50	0.75	0.63	1/2"	1.25	0.50	0.63	1/2"	1.50	0.75
10077740	3/4"	0.88	3/4"	1.75	0.85	0.88	3/4"	1.49	0.59	0.88	3/4"	1.75	0.85
10077742	1 1/4"	1.38	1- 1/4"	2.05	1.02	1.38	1- 1/4"	1.89	0.86	1.38	1- 1/4"	2.05	1.02
10077744	2"	2.13	2"	2.95	1.37	2.13	2"	2.95	1.37	2.13	2"	2.95	1.37



downloads

⬇️ 811 - jpg

⬇️ ApolloPress Catalog - pdf

⬇️ Diagram - png

⬇️ ApolloPress Brochure - pdf