

Installation Instructions

for use by heating contractor



Single Boiler Rack

Part Number: 7560569

For use with:

- Vitodens 100-W, WB1B 26 and 35
- Vitodens 100-W, WB1B 26 and 35 with CombiPLUS
- Vitodens 100-W, B1HA 26, 35, 94, 125
- Vitodens 100-W, B1KA 35, 125
- Vitodens 100-W, B1HE 85, 120, 150, 199
- Vitodens 100-W, B1KE 120, 199
- Vitodens 200-W, B2HA 19-100, 285-352
- Vitodens 200-W, B2HB 19 to 199
- Vitodens 200-W, B2HE 85, 120, 150, 199

Safety and Installation Requirements

Please ensure that these instructions are read and understood before starting any service work. Failure to comply with these instructions may cause product/property damage, severe personal injury and/or loss of life.

Working on the equipment

The installation, adjustment, service and maintenance of this product must be performed by a licensed professional heating contractor who is qualified and experienced in the installation, service, and maintenance of hot water boilers. There are no user serviceable parts on the boiler, burner or control.

Ensure that main power to the equipment being serviced is off.

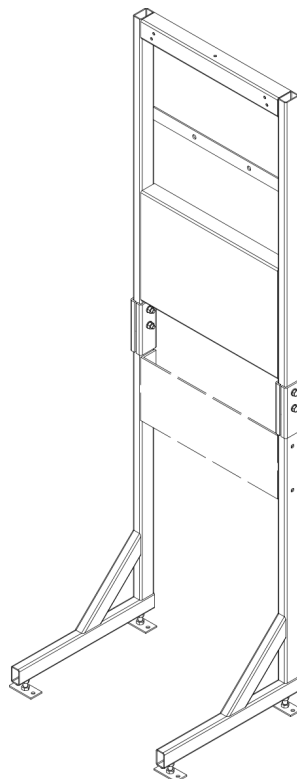
Ensure that the main fuel supply valve to the boiler is closed.

Take precautions to avoid accidental activation of power or fuel during service work.

Do not perform service work on any component part without ensuring safe operation of the heating system. When replacing parts, use original Viessmann or Viessmann approved replacement parts.

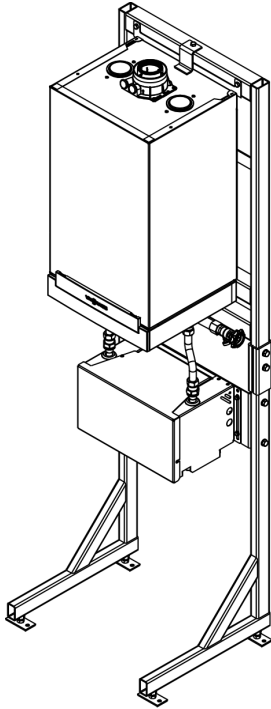


Refer to the Installation and Service Instructions applicable to this boiler.

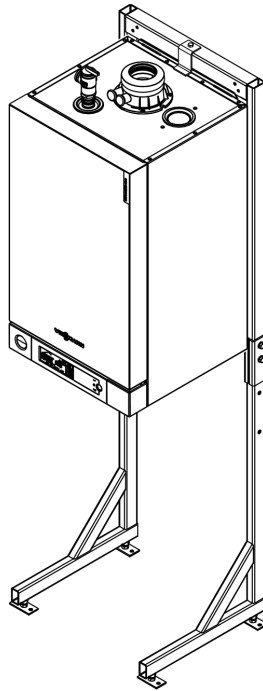


Product Information

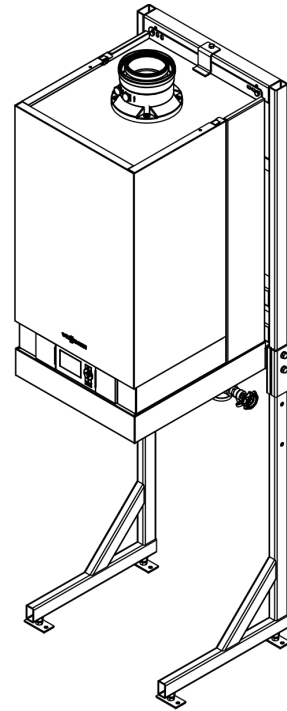
The rack is field assembled and contains two legs, upper rack assembly, CombiPLUS mounting bracket and mounting hardware.



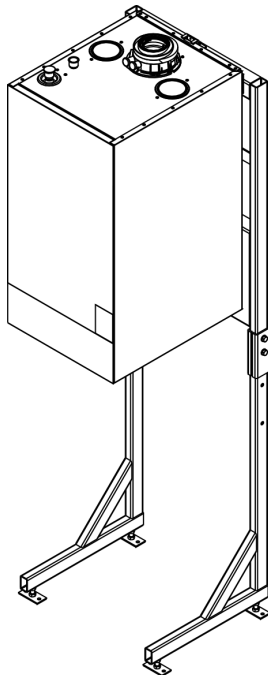
Vitodens 100-W,
WB1B with CombiPLUS



Vitodens 100-W,
B1HA/B1KA

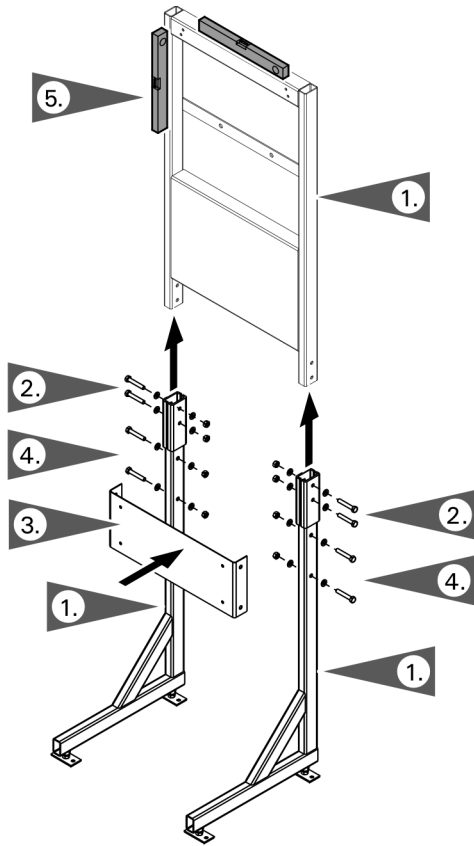


Vitodens 200-W,
B2HA/B2HB



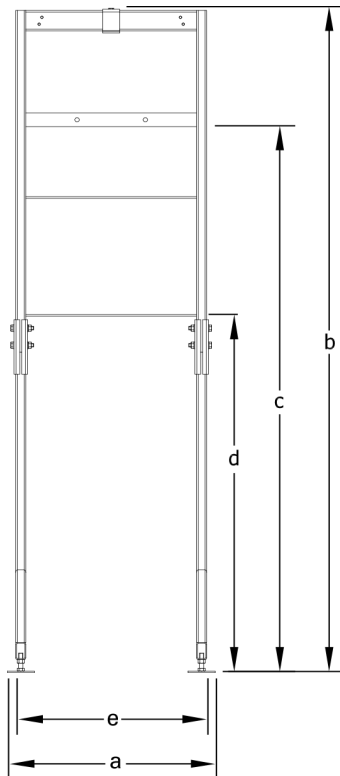
Vitodens 100-W,
B1HE/B1KE
Vitodens 200-W,
B2HE

Rack Assembly



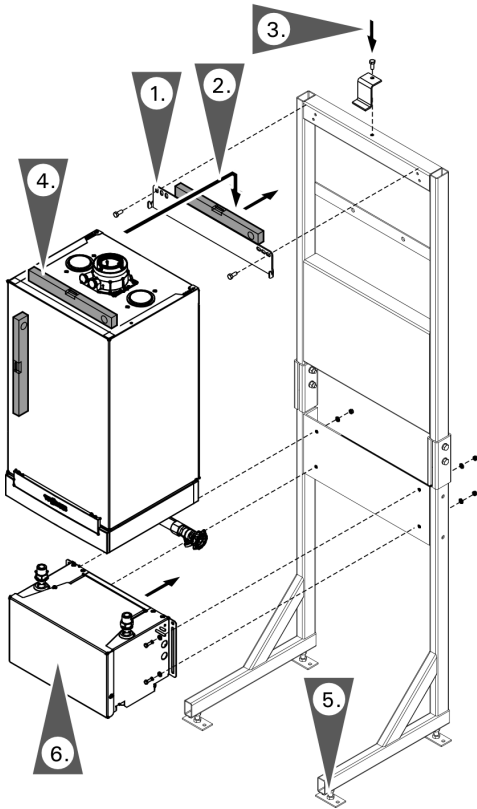
1. Insert the legs into the upper rack assembly (ensure the upper portion is oriented as shown).
Note: If the C-clamps are too tight, gently wedge them open with a small chisel.
2. Align the bolt holes and fasten with M10 bolts, nuts and washers. Tighten to 30 lb.ft (41 Nm).
Note: If installing the CombiPLUS, continue with steps 3 and 4, otherwise skip to step 5.
3. Insert the CombiPLUS mounting plate between the two legs.
4. Align the bolt holes and fasten with M10 bolts, nuts and washers. Tighten to 30 lb.ft (41 Nm).
5. Place the rack at the installation location and ensure the rack is level.

Rack Dimensions



a	in. (mm)	24 (610)
b	in. (mm)	$76\frac{3}{4}\pm\frac{1}{2}$ (1950±12.7)
c	in. (mm)	$63\pm\frac{1}{2}$ (1600±12.7)
d	in. (mm)	$43\frac{3}{8}\pm\frac{1}{2}$ (1102±12.7)
e	in. (mm)	22 (560)

Vitodens 100-W, WB1B Boiler and CombiPLUS Installation



1. Install the boiler hanging bracket to the rack using 2xM8x20 hex bolts (supplied).
Note: Ensure the boiler hanging bracket is level.

2. Hang the boiler on the boiler hanging bracket.

IMPORTANT

Support the frame during the installation of the boiler.



See the Vitodens 100-W Installation Instructions for details on mounting the boiler.

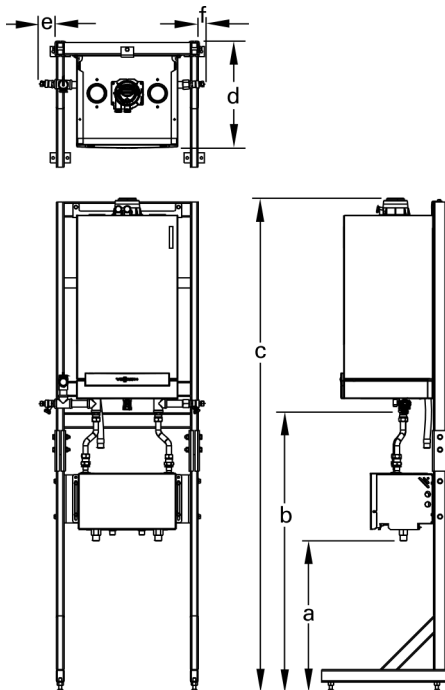
3. Install the anti-vibration bracket (supplied).
4. Level the boiler.

CAUTION

The boiler must be level both vertically and horizontally to ensure proper draining of the condensate.

5. Ensure that the stand is securely fastened to the floor (recommended concrete expansion anchors are Hilti model KB-TZ 3/8 x 4 or equivalent).
6. Mount the CombiPLUS to the CombiPLUS mounting plate using the 4xM6 bolts, nuts and washers (supplied). Tighten to 8 lb.ft (11 Nm).

Dimensions

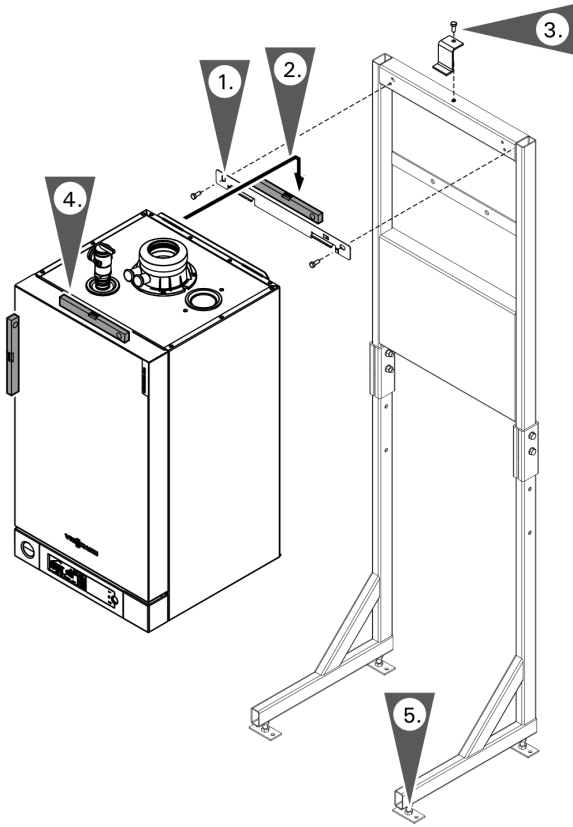


Vitodens 100-W, WB1B 26 and 35

a * 1 in. (mm)	23 ⁵ / ₈ (600)
b * 1 in. (mm)	43 ⁵ / ₈ (1110)
c * 1 in. (mm)	77 (1955)
d in. (mm)	16 ³ / ₄ (425)
e in. (mm)	3 ¹ / ₄ (82)
f in. (mm)	1 ⁵ / ₈ (42)

* 1 ± 1/2 in. (12.7 mm) for adjustment of the levelling feet.

Vitodens 100-W, B1HA/KA Boiler Installation



1. Install the boiler hanging bracket to the rack using 2xM8x20 hex bolts (supplied).
Note: Ensure the boiler hanging bracket is level.

2. Hang the boiler on the boiler hanging bracket.

IMPORTANT

Support the frame during the installation of the boiler.



See the appropriate Vitodens 100-W Installation Instructions for details on mounting the boiler.

3. Install the anti-vibration bracket (supplied).
4. Level the boiler.

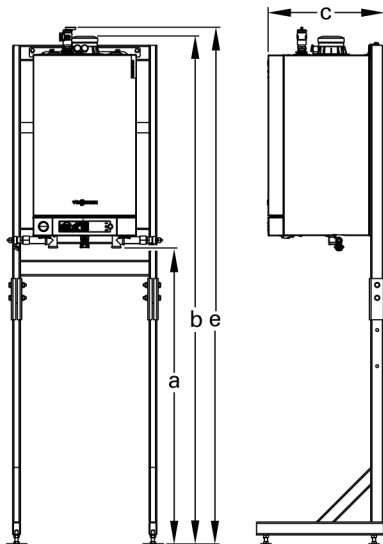
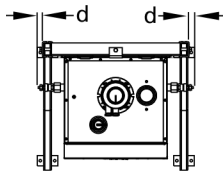


CAUTION

The boiler must be level both vertically and horizontally to ensure proper draining of the condensate.

5. Ensure that the stand is securely fastened to the floor (recommended concrete expansion anchors are Hilti model KB-TZ 3/8 x 4 or equivalent).

Dimensions

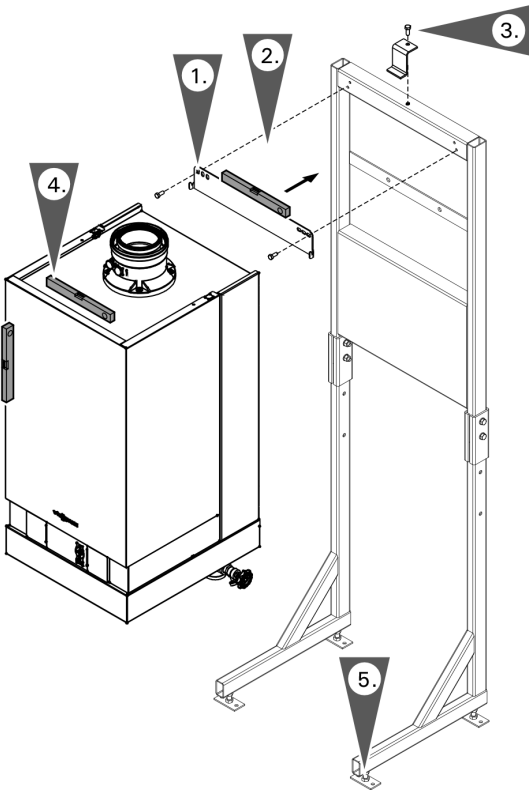


Vitodens 100-W, B1HA 26, 35, 94, 125 B1KA 35, 125

a * 1	in. (mm)	45 ⁵ / ₈ (1160)
b * 1	in. (mm)	77 ³ / ₄ (1975)
c	in. (mm)	17 ³ / ₄ (450)
d	in. (mm)	1 ¹ / ₄ (33)
e	in. (mm)	79 (2007)

* 1 ± 1/2 in. (12.7 mm) for adjustment of the levelling feet.

Vitodens 200-W, B2HA/B2HB Boiler Installation




1. Install the boiler hanging bracket to the rack using 2xM8x20 hex bolts (supplied).
Note: Ensure the boiler hanging bracket is level.

2. Hang the boiler on the boiler hanging bracket.

IMPORTANT

Support the frame during the installation of the boiler.

 See the appropriate Vitodens 200-W Installation Instructions for details on mounting the boiler.

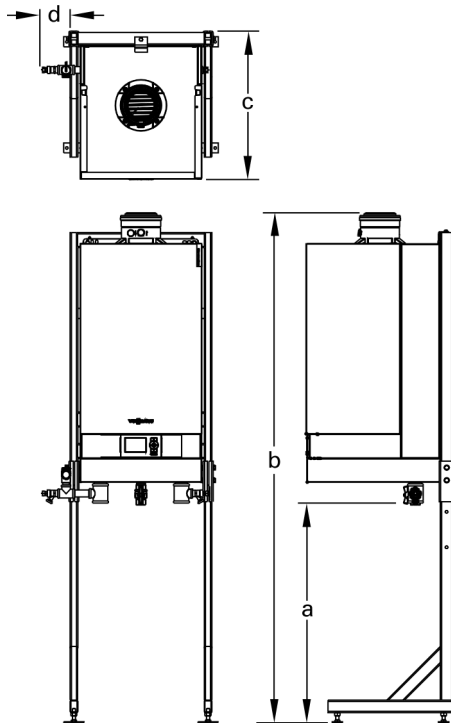
3. Install the anti-vibration bracket (supplied).
4. Level the boiler.

CAUTION

The boiler must be level both vertically and horizontally to ensure proper draining of the condensate.

5. Ensure that the stand is securely fastened to the floor (recommended concrete expansion anchors are Hilti model KB-TZ 3/8 x 4 or equivalent).

Dimensions



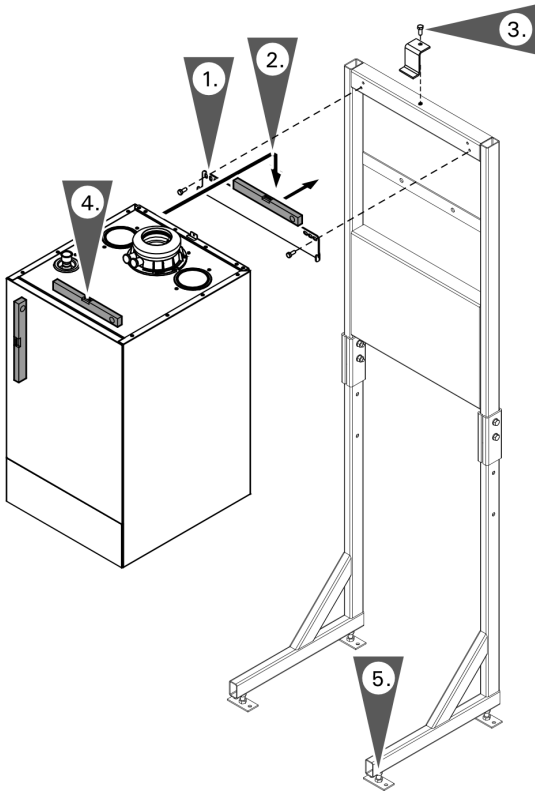
Vitodens 200-W		
	B2HA 19, 28, 35	B2HA 45, 60
a * 1 in. (mm)	34¾ (885)	34¼ (870)
b * 1 in. (mm)	77 (1955)	77 (1955)
c in. (mm)	16⅞ (415)	17⅞ (435)
d in. (mm)	3⅞ (85)	5⅞ (130)

	B2HA 80, 88, 100, 285, 311, 352	B2HB 19, 26, 35, 68, 94, 125
a * 1 in. (mm)	34¼ (870)	34¾ (885)
b * 1 in. (mm)	79½ (2020)	77 (1955)
c in. (mm)	23 (585)	18 (455)
d in. (mm)	5⅞ (130)	3⅞ (85)

B2HB 45, 57, 160, 199	
a * 1 in. (mm)	34¼ (870)
b * 1 in. (mm)	77 (1955)
c in. (mm)	23 (585)
d in. (mm)	5⅞ (130)

* 1 ± ½ in. (12.7 mm) for adjustment of the levelling feet.

Vitodens 100-W B1HE, B1KE and 200-W B2HE Boiler Installation



1. Install the boiler hanging bracket to the rack using 2xM8x20 hex bolts (supplied).
Note: Ensure the boiler hanging bracket is level.

2. Hang the boiler on the boiler hanging bracket.

IMPORTANT

Support the frame during the installation of the boiler.



See the appropriate Vitodens Installation Instructions for details on mounting the boiler.

3. Install the anti-vibration bracket (supplied).
4. Level the boiler.

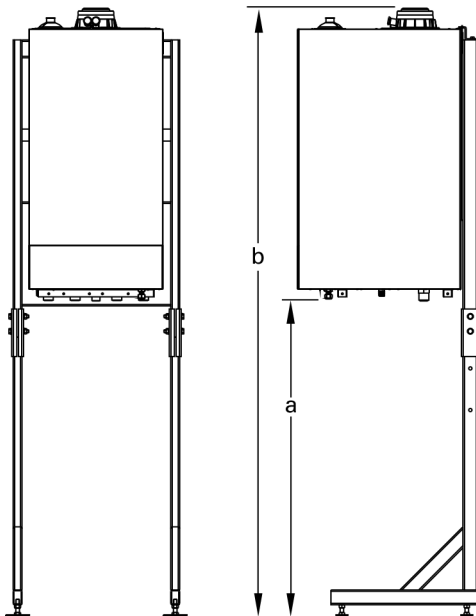
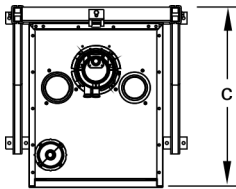


CAUTION

The boiler must be level both vertically and horizontally to ensure proper draining of the condensate.

5. Ensure that the stand is securely fastened to the floor (recommended concrete expansion anchors are Hilti model KB-TZ 3/8 x 4 or equivalent).

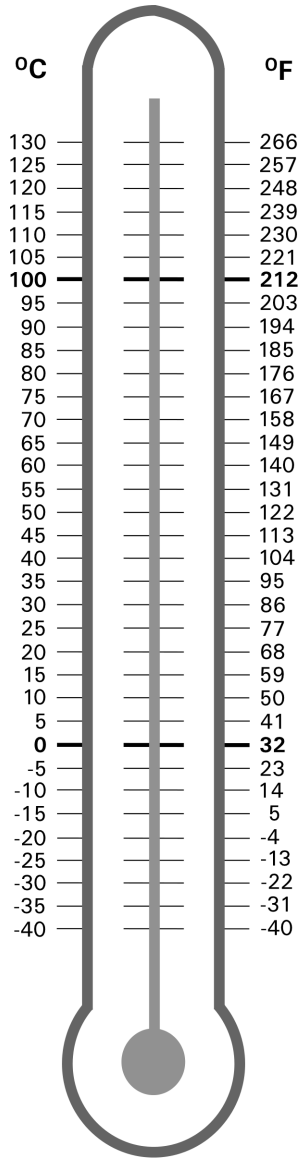
Dimensions



Vitodens Dimensions

	100-W B1HE, B1KE and 200-W B2HE	
	85, 120	150, 199
a * 1 in. (mm)	46 (1168)	41¾ (1060)
b * 1 in. (mm)	80½ (2045)	80½ (2045)
c in. (mm)	22¼ (564)	24 (610)

* 1 ± ½ in. (12.7 mm) for adjustment of the levelling feet.



Printed on environmentally friendly
(recycled and recyclable) paper.

Technical information subject to change without notice.

Viessmann Manufacturing Company Inc.
750 McMurray Road
Waterloo, Ontario • N2V 2G5 • Canada
TechInfo Line 1-888-484-8643
1-800-387-7373 • Fax (519) 885-0887
www.viessmann.ca • info@viessmann.ca

Viessmann Manufacturing Company (U.S.) Inc.
45 Access Road
Warwick, Rhode Island • 02886 • USA
TechInfo Line 1-888-484-8643
1-800-288-0667 • Fax (401) 732-0590
www.viessmann-us.com • info@viessmann-us.com