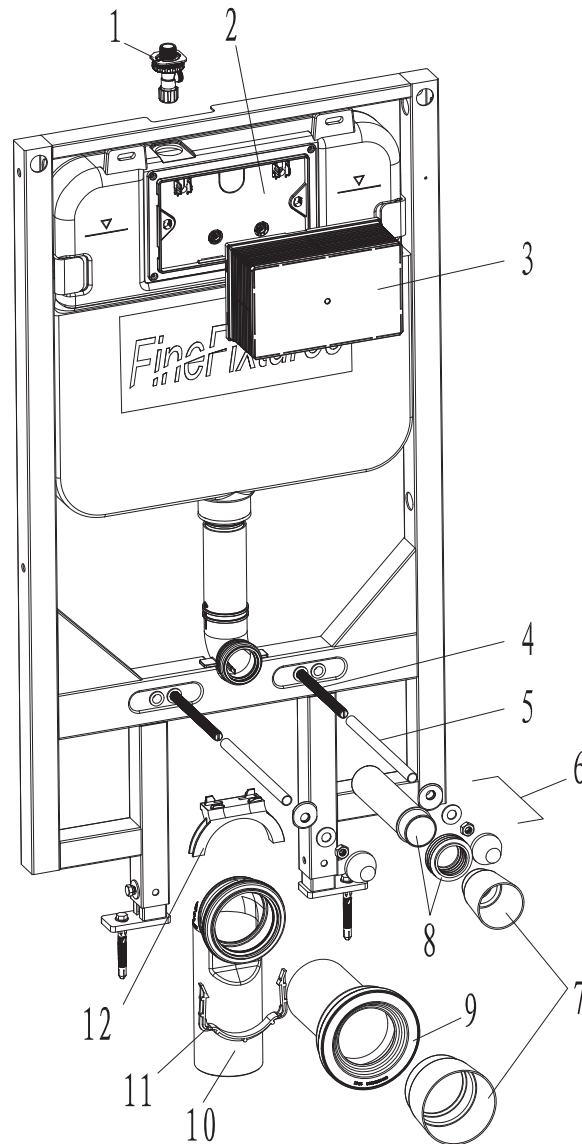


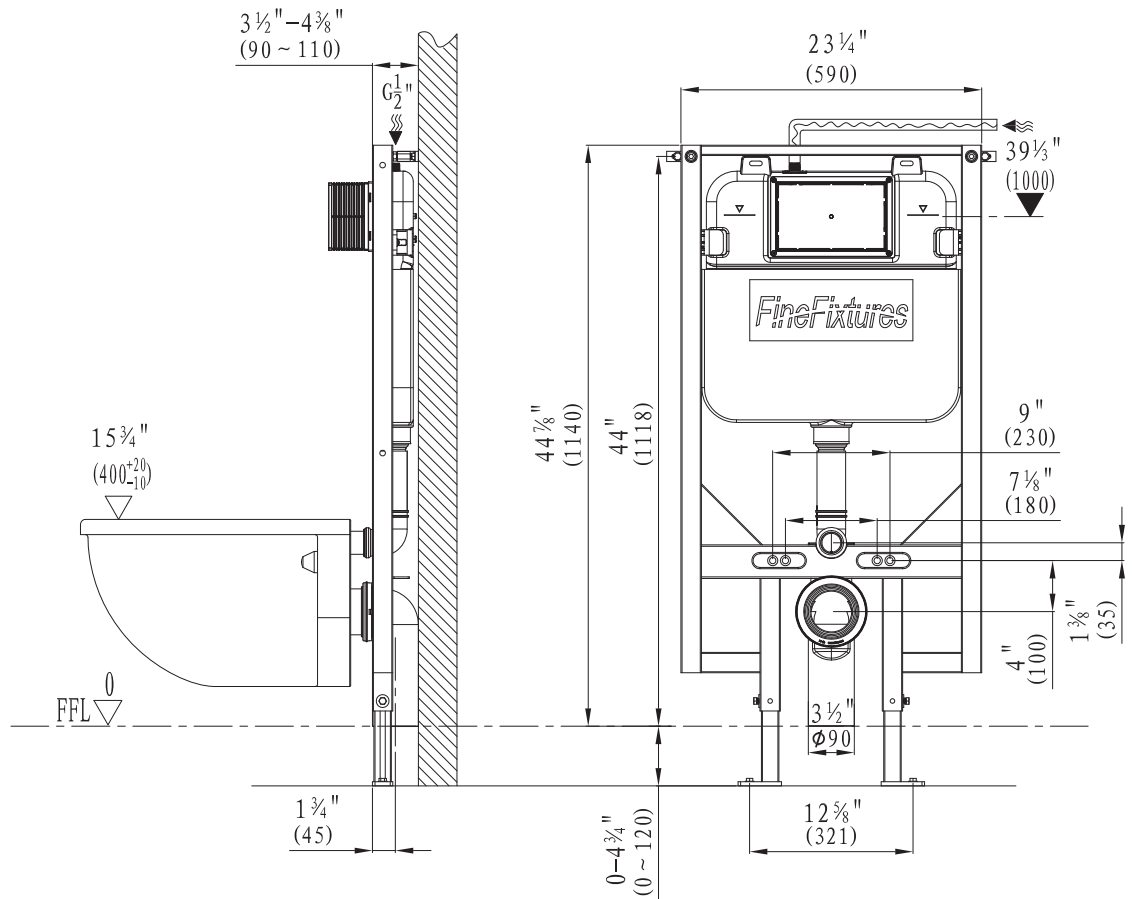
Concealed Tank - Model: CT04 Installation Manual



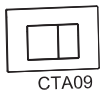
List of main installation accessories

NO.	Description	Qty	Function
1	Angle valve	1	Fill valve inlet and shut-off
2	Cistern cover	1	Airproof tank and mounting of locking bracket
3	Plastic holder	1	To reserve space for installation of actuator at wall building To prevent dust and impurities into tank at wall building
4	Connecting screw	2	To mount ceramic bowl
5	Protective cover	2	To protect connecting screw at wall building
6	Ceramic bowl fixing accessories	2	To mount ceramic bowl
7	Piping stopper	2	To reserve space for straight tube and connecting pipe
8	Straight tube	1	To joint cistern into ceramic bowl
9	Connecting pipe	1	(cutting in accordance with wall thickness)
10	Discharge pipe	1	To discharge liquid and solid waste from ceramic bowl .
11	Mounting bracket	1	To mount draining syphon
12	Discharge pipe holder	1	

Installation dimension



Options



CTA09 Dual flush actuator; white, black or chrome finish



CTA11 Dual flush actuator; white, black or chrome finish



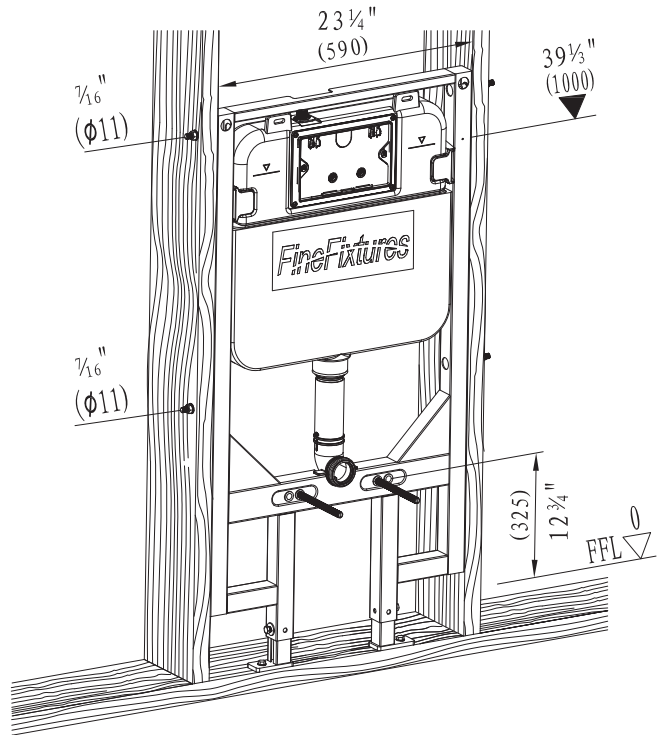
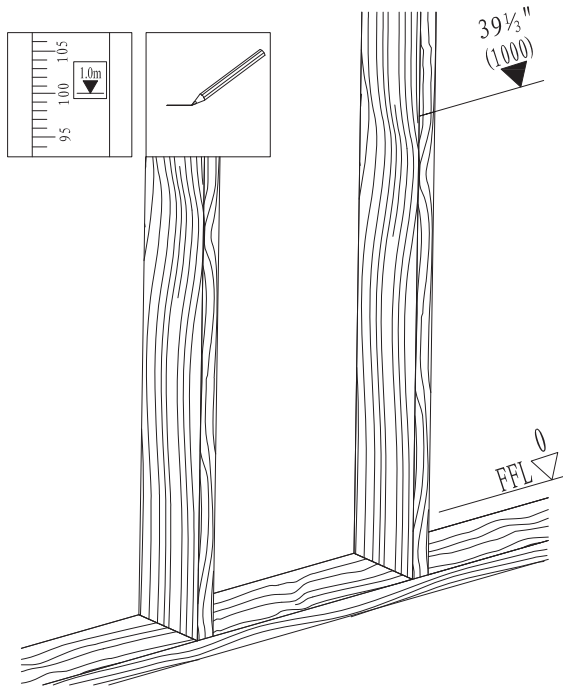
CTA12 Dual flush actuator; white, black or chrome finish

Installation of concealed cistern

A

2

1

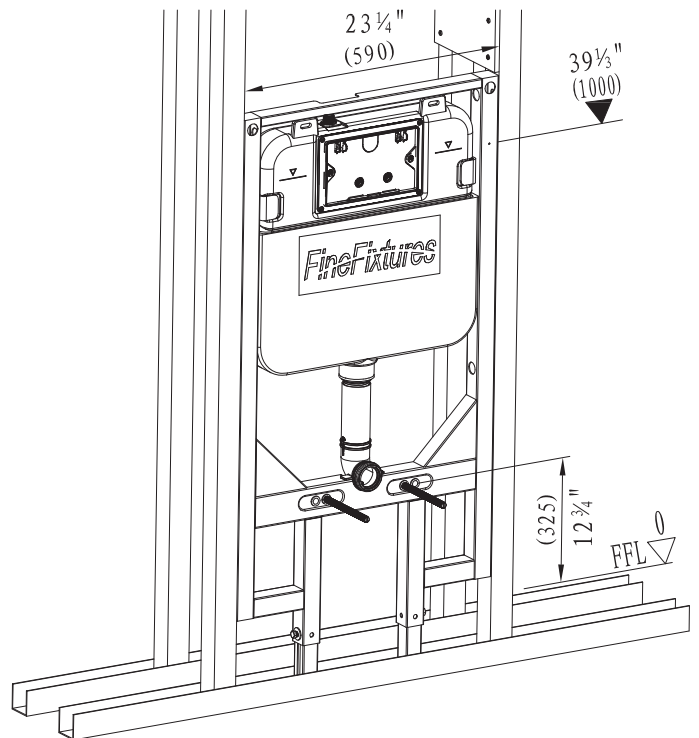
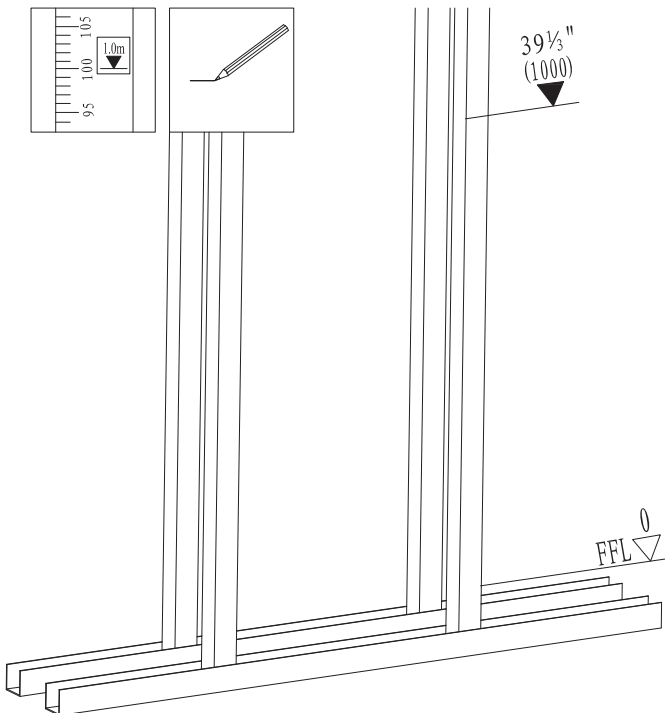


Installation of concealed cistern

B

2

1

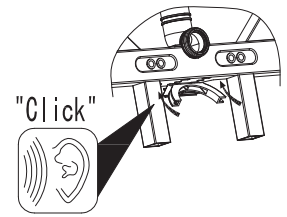
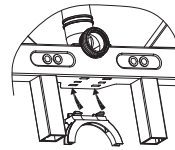
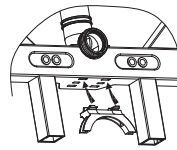
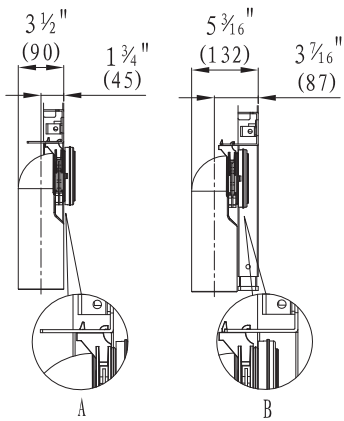


Installation of draining syphon

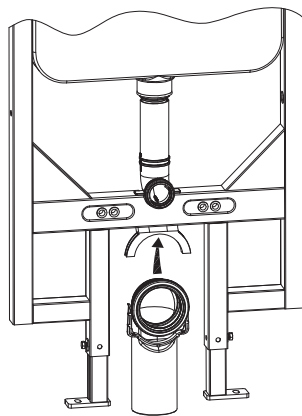
2

3

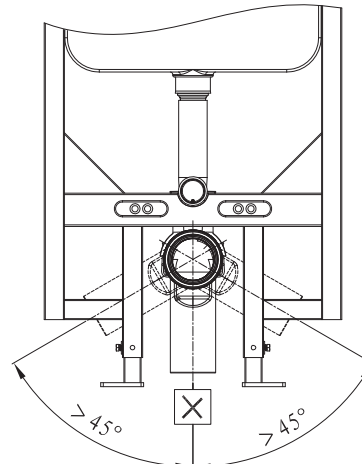
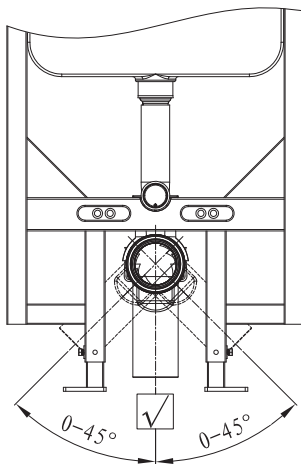
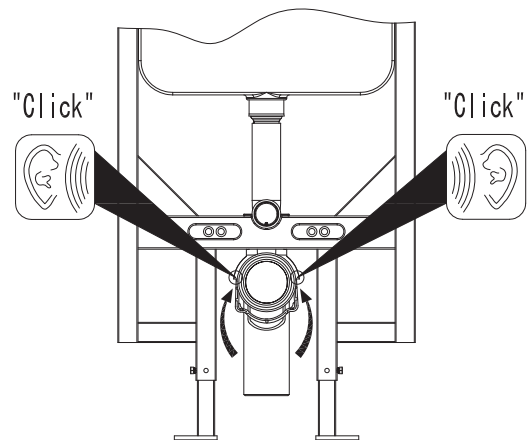
1



4



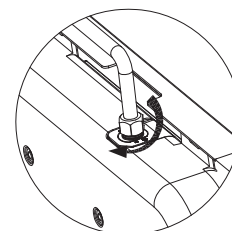
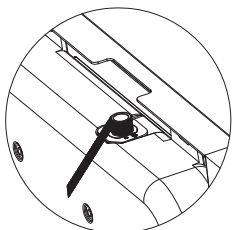
5



Installation of water supply

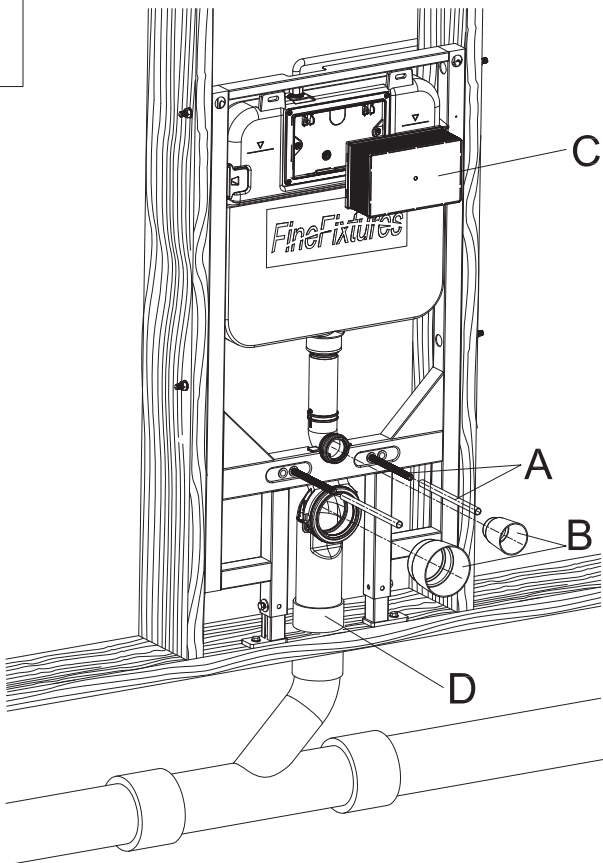
2

1



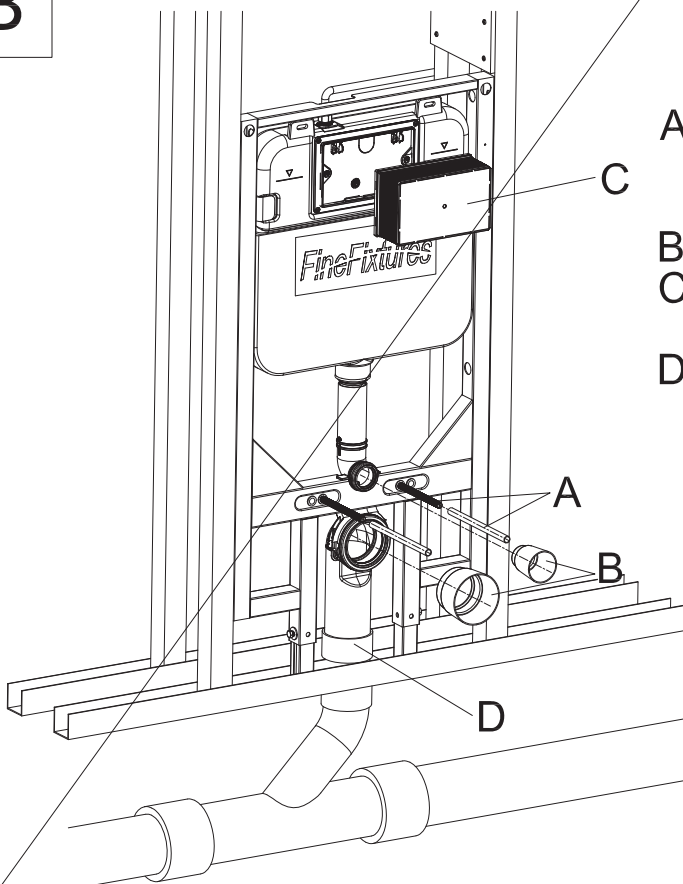
Mounting of installation accessories

A



- A Install M12 rods with plastic sleeves, on the inner holes. The rods should be installed at 7" apart.
- B Install pipe plugs and
- C mud guard during the rough-in installation
- D Complete waste elbow connection with 3" DWV shielded coupling(D-provided) to waste pipe.

B



- A Install M12 rods with plastic sleeves, on the inner holes. The rods should be installed at 7" apart.
- B Install pipe plugs and
- C mud guard during the rough-in installation
- D Complete waste elbow connection with 3" DWV shielded coupling(D-provided) to waste pipe.

Mounting of ceramic bowl

<p>①</p>	<p>②</p> <p>Fully insert the straight tube into cistern flushing outlet and connecting pipe into discharging outlet.</p>	<p>③</p> <p>Draw the lines as above picture.</p>
<p>④</p> <p>Draw the lines as above picture.</p>	<p>⑤</p> <p>As per drawing, L1 is distance between the two lines on straight tube. L2 is distance between the two lines on connecting pipe. Cut the straight tube and connecting pipe as per above drawing.</p>	<p>⑥</p> <p>Polishing the cutting surface to get chamfer angle as per drawing and deburring.</p>
<p>⑦</p> <p>Cut the protection sleeve outside of the wall with a knife. Apply lubricat on joint surface of straight tube and connecting pipe.</p>	<p>⑧</p> <p>Adjust length of connecting bolt to be $d+20\text{mm}$.</p>	<p>⑨</p> <p>Firstly insert connecting pipe into discharging outlet and straight tube into ceramic hole.</p>
<p>⑩</p> <p>Mounting the ceramic bowl.</p>	<p>⑪</p> <p>Screw the bowl and remove the extra pad.</p>	<p>⑫</p> <p>Apply cement or glue to fill and level up the gap to wall.</p>