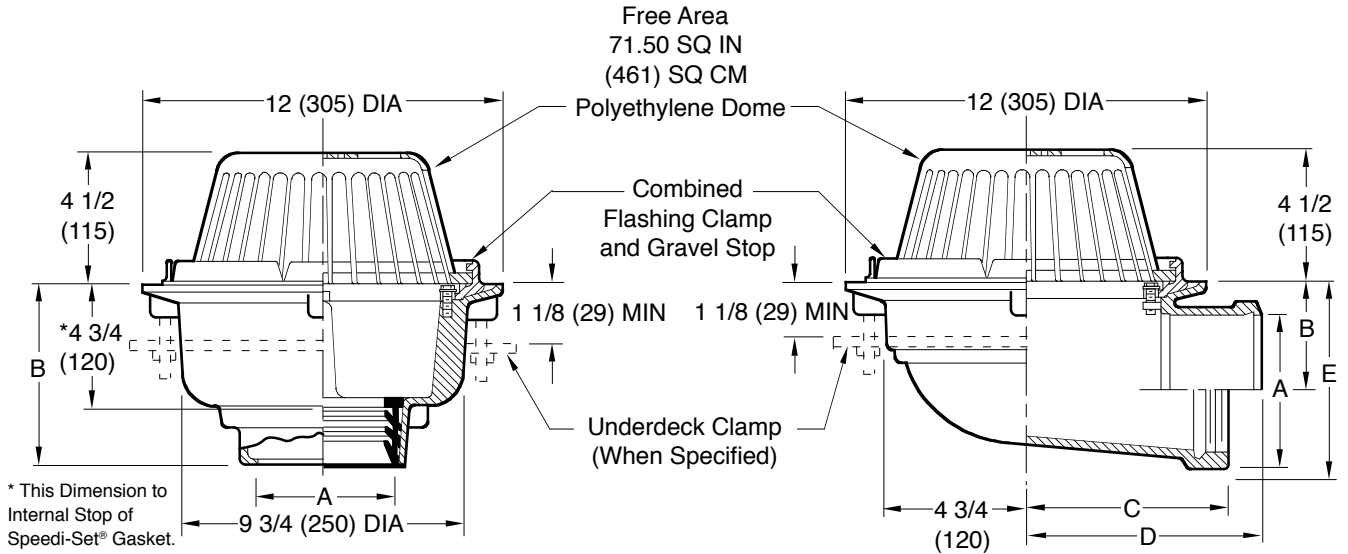


GENERAL PURPOSE ROOF DRAINS

12" (305) DIAMETER - LOW PROFILE DOME

FUNCTION: Used in flat roofs of any construction where a medium sized drain is required. Flashing clamp holds flashing and roofing material without puncturing. Low profile dome protects sump and intercepts debris.



* This Dimension to Internal Stop of Speedi-Set® Gasket.

Fig. 1310C . . . CAULK OUTLET
 Fig. 1310Y . . . NO-HUB OUTLET

Fig. 1320C . . . CAULK OUTLET
 Fig. 1320Y . . . NO-HUB OUTLET

A SIZE	02 (50)	03 (75)	04 (100)	05 (125)	06 (150)
B	6 (150) for Caulk, NO-HUB and Speedi-Set® 4 3/4 (120) for Threaded				

recommended deck opening	
with suffix -R	13 (330) DIA
less Suffix -R	11 (280) DIA

A SIZE	02 (50)	03 (75)	04 (100)
B	4 1/2 (115)	4 (100)	3 1/2 (89)
C	6 (150)	6 (150)	6 (150)
D	7 1/4 (185)	7 1/2 (190)	7 3/4 (195)
E	6 1/2 (165)	6 5/8 (168)	6 5/8 (168)

REGULARLY FURNISHED:

Duco Cast Iron Body with Combined Flashing Clamp and Gravel Stop with Polyethylene Dome.

VARIATIONS:

- Expansion Joint (Specify Fig. 1710 Fig. 1310 only)
- Extension -E (Specify Height)
- "L" Shaped Underdeck Clamp -CL
- L Speedi-Set® Service Weight
02(50), 03(75) & 04"(100) sizes only (Fig. 1310 only)
- LXH Speedi-Set® Extra Heavy
02(50), 03(75) & 04"(100) sizes only (Fig. 1310 only)
- NO-HUB Adaptor (Specify Fig. 2646Y Fig. 1320 only)
- Secondary Flashing Clamp -C2
- 2" (51) Solid Water Dam -WD
- Sump Receiver -R
- Underdeck Clamp -C
- Vandal Proof Dome -U
- T Threaded Outlet
- Stainless Steel Mesh Over Dome -SSM

OPTIONAL MATERIALS:

- Aluminum Dome -AD
- Cast Iron Dome -CID
- Galvanized Cast Iron Body & Collar -G
- Galvanized Cast Iron Dome -CIDG
- Rough Bronze Dome -RBD

NOTE: Dimensions shown in parentheses are in millimeters.

DRAWING NUMBER S1310
 SCALE: NONE
 DATE: 5-6-85
 APPROVED BY: TD
 CHECKED BY: TD
 DRAWN BY: PJ
1310, 1320
 DIMENSIONS ARE SUBJECT TO MANUFACTURERS TOLERANCE AND CHANGE WITHOUT NOTICE

REV.	DATE	DESCRIPTION	BY	CKD. BY	WEIGHT POUNDS	VOLUME CUBIC FEET	FIGURE NUMBER 1310, 1320