



ecocirc[®] 20-18

THE NEWEST GENERATION SMART CIRCULATOR



The newest generation variable speed ECM smart circulator, **ecocirc 20-18** from Bell & Gossett provides a superior product for both heating and cooling as well as potable water.

Taking it further than ever before is our new **ecocirc+ 20-18** model that allows for wireless connectivity directly to your phone for full control. Combine this pump with our incredible service network, and you have a winner.

ecocirc+ 20-18 Features

The ecocirc+ 20-18 comes with all of the standard features found on the ecocirc 20-18 plus the following premium features:

- Bluetooth communication+
- 0-10V input+
- Temperature control+
- eAdapt autolearn and Night Mode+
- Digital display+



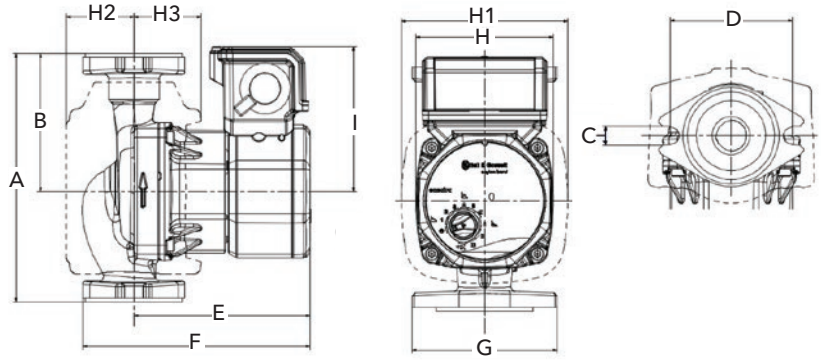
ecocirc 20-18 Features

- Maximum of 20 feet of head or 18 GPM
- 70W maximum power
- 3 modes - proportional pressure, constant pressure, or adjustable speed control
- Fluid temperature: 14-230°F
- **CircGuard™** - complete integrated system protection
- Automatic air purge to remove any air trapped in the pump
- One turn knob and multicolor LED display for easy reading and setting of the pump
- Check valve included in box
- Insulation shell included



Dimensions and Weights

ecocirc / ecocirc+ 20-18 (Flanged)			
A	6.38" (162 mm)	E	4.57" (116 mm)
B	3.54" (90 mm)	F	5.9" (150 mm)
C	0.47" (12 mm)	G	3.74" (95 mm)
D	3.15" (80 mm)	H	3.54" (90 mm)
I	3.74" (95 mm)	H1	4.29" (109 mm)
H2	1.73" (44 mm)	H3	1.73" (44 mm)
Weight	5.86 lb. (2.66 kg)		



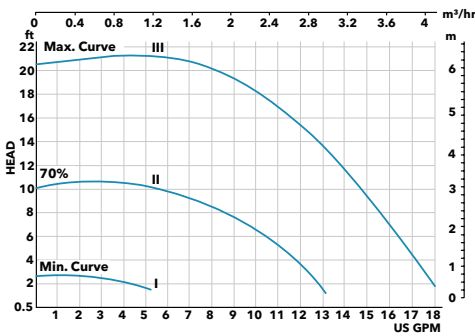
Part Numbers

ecocirc 20-18 Part Number	Description
60B0B1000	ecocirc Cast Iron Flanged
60B0B1001	ecocirc Stainless Steel Flanged
60B0B1002	ecocirc Stainless Steel Union

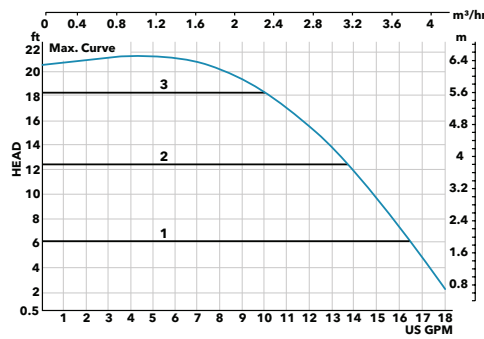
ecocirc+ 20-18 Part Number	Description
60B0B1003	ecocirc+ Cast Iron Flanged
60B0B1004	ecocirc+ Stainless Steel Flanged
60B0B1005	ecocirc+ Stainless Steel Union

Performance

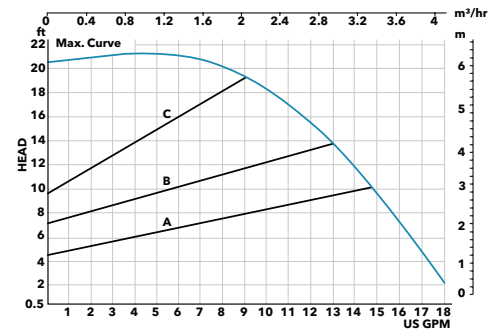
Fixed Speed Curve



Constant Pressure Curve



Proportional Pressure Curve



Cross Reference Chart

ecocirc 20-18 / ecocirc+ 20-18	Bell & Gossett	Grundfos	Taco	Armstrong	Wilo
ecocirc 20-18 CI Flanged	ecocirc 19-16 CI, NRF-9L/W, NRF-22, NRF-33	Alpha2 15 55 (+), Alpha1 15-55, UPS 15-58, UP 15-42, UP 15-10	VT-2218 (+), VR-1816, 0018e (+), 0015e3, 007e, 006e3, 005-F, 007-F, 008-F, 0015-F	Compass H 20-20CI (+), Astro 2 210 CI, Astro 2 220 CI, Astro 2 230 CI, Astro 2 250 CI	Stratos ECO, Stratos 1.25 X 3- (+), 20 Star S-21
ecocirc 20-18 SS Flanged	ecocirc 19-16 SS, NBF-12F/LW, NBF-22, NBF-25, SSF-12F/LW, SSF-22	Alpha2 15-55 (+), Alpha1 15-55, UPS 15-55, UPS 15-35, UP 15-29	005-BF, 007-BF, 008-BF, 0015-SF	Compass H 20-20 (+), SSF Astro 2 210 SS, Astro 2 230 SS, Astro 2 250 SS	Star Z S-21
ecocirc 20-18 SS Union	NBF-8S/LW, NBF-9U/LW, NBF-10S/LW, NBF-12U/LW, NBF-18S/LW, NBF-22U, SSF-9U/LW, SSF-12U/LW, SSF-22U	UP 15-10B, UP 15-18B, UP 15-29SU	003-B, 003-BC, 006-B, 006-BC, 008-BC	Compass H 20-20 (+), SSU Astro 2 220, SSU Astro 2 225, SSU Astro 2 225, BS	N/A

Note: Stainless steel (SS) versions are NSF-61 certified. (+) designates the cross reference to the ecocirc+ 20-18.

Standard warranty of 24 months on all models. Extended warranty when registering the ecocirc 20-18 via iOS or Android app.

For more information please visit our website at <http://bellgossett.com/pumps-circulators/circulator-pumps>



Xylem Inc.
8200 N. Austin Avenue
Morton Grove, IL 60053
Phone: (847) 966-3710
www.xylem.com/bellgossett

Bell & Gossett is a trademark of Xylem Inc. or one of its subsidiaries.
© 2020 Xylem Inc. A-169 November 2020

