



WHERE QUALITY COMES FIRST



Stainless steel side connection allows for quicker, less expensive installation

Hydro-Plus

Floor Mounted Thermal Expansion Tanks

■ general features

Advantages

Zilmet has over 50 years of experience in manufacturing high quality diaphragm well tanks

- Over 2 million square feet of production space
- Produces over 5 million tanks and 1 million heat exchangers annually
- Fully vertically integrated, designing and manufacturing all diaphragms internally

Zilmet has created a compact design with a seamless diaphragm that never stretches or creases

- There are no bubbles or corners to trap sediment, inhibiting bacterial growth
- International approvals for use with potable water to include NSF 61

Zilmet Thermal Expansion Tanks for Hot Water Heaters

- Prevent dangerous pressure build up
- Protect household appliances and fixtures
- Save energy and water

Technical Features

- All tanks are NSF61 Certified
- Each tank is factory leak tested to ensure tank integrity
- MIG welding eliminated interior rough spots and sharp edges
- Exclusive internal food grade coating eliminates internal corrosion
- External baked epoxy-polyester coating provides a durable appliance like finish
- Protected pre charge valve eliminates potential leak path
- 150 psi max pressure rating
- Low profile design allows for easier installation in tight spaces

■ material description

description	material
shell	carbon steel
connection	stainless steel
fixed membrane	butyl
color	almond

■ operating conditions

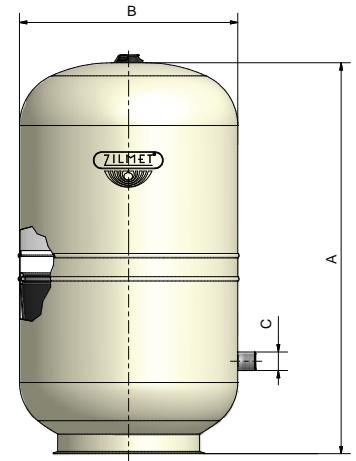
max. operating pressure	150 psi
operating temperature	210 °F
factory precharge	38 psi



■ technical and dimensional data

Model	Capacity	Diameter	Height	Connection Size	Max Acceptance Volume @ 38 psi
	gallons	inches (B)	inches(A)	inches(C)	gallons
ZHP200F	13.2	15.0	19.9	1"	9
ZHP202	21.1	17.7	23.9	1"	14.4
ZHP203	27.7	19.7	26.2	1 1/4"	18.9
ZHP204	39.6	19.7	35.3	1 1/4"	27
ZHP250	52.8	23.6	32.0	1 1/4"	36
ZHP251	66.0	24.8	37.7	1 1/4"	44.9
ZHP302	79.3	24.8	43.5	1 1/4"	54
ZHP350	105.7	24.8	57.1	1 1/4"	96.4

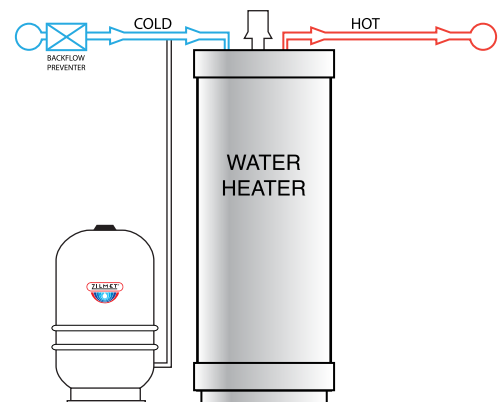
21.1-158.5 gallons STAND MODELS WITH BASE



■ quick sizing chart

Water Heater Size	Maximum Water Temperature				
	gallons	130° F	140° F	160° F	180° F
175	ZHP5	ZHP104IL	ZHP200F	ZHP200F	ZHP200F
200	ZHP104IL	ZHP104IL	ZHP200F	ZHP200F	ZHP200F
240	ZHP104IL	ZHP104IL	ZHP200F	ZHP202	ZHP202
260	ZHP104IL	ZHP200F	ZHP200F	ZHP202	ZHP202
280	ZHP104IL	ZHP200F	ZHP202	ZHP202	ZHP202
300	ZHP200F	ZHP200F	ZHP202	ZHP203	ZHP203
350	ZHP200F	ZHP200F	ZHP202	ZHP203	ZHP203
400	ZHP200F	ZHP12	ZHP202	ZHP203	ZHP203

Typical Installation



North American Headquarters Zilmet USA
 240 Commerce Park Road,
 North Kingstown, RI 02852
 401-884-4943
 info@zilmetusa.com
 www.zilmetusa.com

Headquarters
 Via del Santo, 242 - 35010 Limena (PD) - Italy
 Tel. +39 049 7664901 • Fax +39 049 767321
 www.zilmet.it
 zilmet@zilmet.it

Production plants - Italy
 Limena (PD) Via del Santo, 242
 Via Visco, 2 • Via Colpi, 30
 Via Tamburin, 15/17
 Bagnoli di Sopra (PD) - Via V Strada, 21/23

Branches
 Zilmet Deutschland GmbH www.zilmet.de
 Zilmet USA
 www.zilmetusa.com
 Zilmet UK
 www.zilmet.co.uk