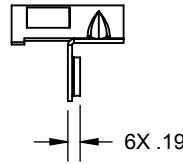
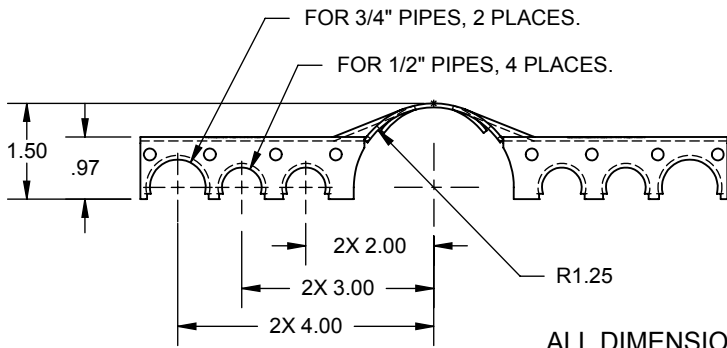
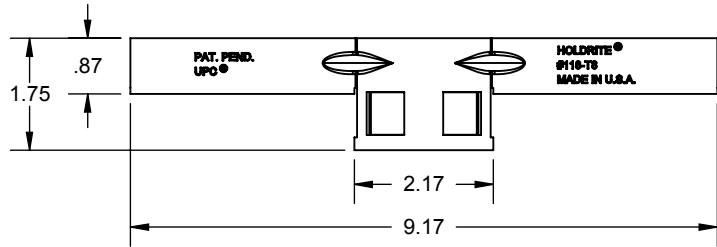
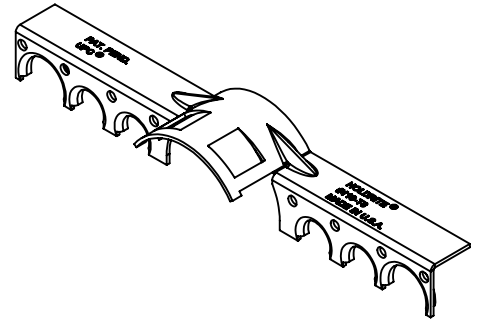


PRODUCT SPECIFICATION DRAWING HOLDRITE® #118-T8



2" Stainless Steel band

ALL DIMENSIONS IN INCHES

The **HOLDRITE® #118-T8** is a **Copper-Bonded™** bracket designed to support 1/2" and 3/4" tubing. This bracket mounts directly onto a horizontal or vertical pipe. It is designed to position water supplies for lavatories and other fixtures and is ideal as a mid span support within a 2-1/2" or wider wall. Packaged with a self-locking 2" stainless steel band and self-adhesive isolation felt. When used for copper tubing, solder directly to the bracket. Heat the tubing, not the bracket.

Product Information:

- Material: 16 gage CRS, Copper-Bonded™
- Load rating: 25 pounds
- UPC / IPC / IAPMO listed



THIS INFORMATION IS PROPRIETARY TO HOLDRITE AND IS SUBJECT TO CHANGE WITHOUT NOTICE. IT MAY NOT BE REPRODUCED IN PART OR WHOLE WITHOUT WRITTEN AUTHORIZATION.

HOLDRITE®

CONVERTING MAKESHIFT METHODS INTO ENGINEERED SOLUTIONSSM
800-321-0316 OR 760-744-6944 / FAX: 760-744-0507 / WWW.HOLDRITE.COM
spec_118-T8_RevG

Product Submittal	
Job Name:	
Date:	
Part Number:	Qty:
Architect / Owner:	
Contractor:	
Notes:	