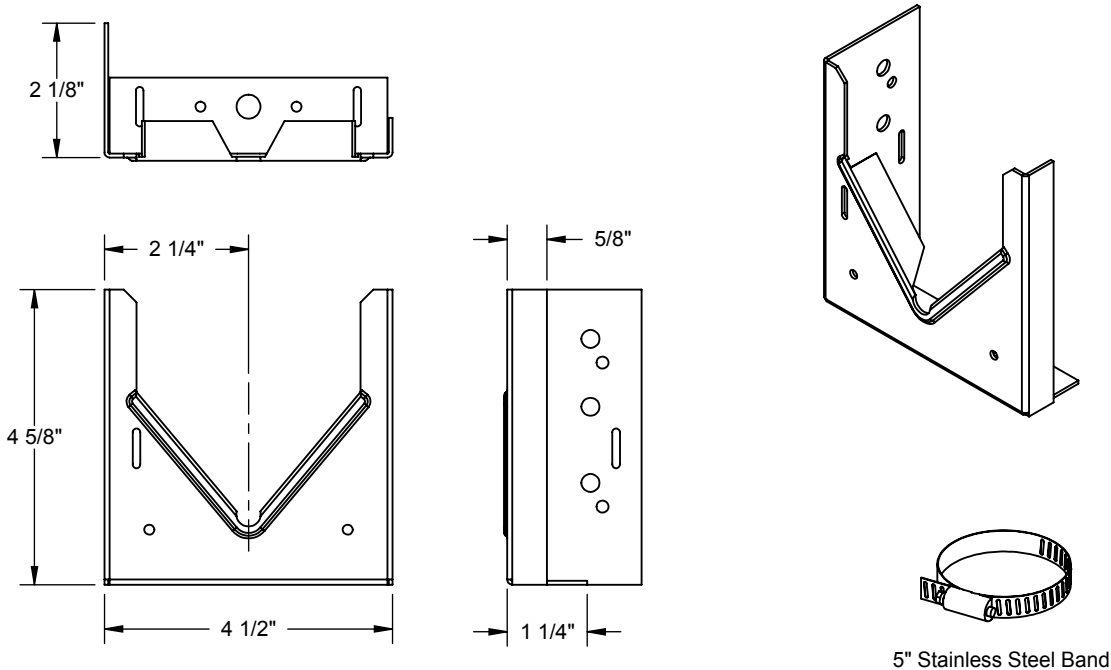


PRODUCT SPECIFICATION DRAWING HOLDRITE® #V-2

Supports copper water piping off the building's structure or other piping



5" Stainless Steel Band

ALL DIMENSIONS IN INCHES

The HOLDRITE® #V-2 is a Copper-Bonded™ steel bracket designed to saddle horizontal water headers, with a load rating of 250 pounds, in tubing sizes ranging from 1/2" through 3". The #V-2 comes pre-assembled with isolating felt and a 5" self-locking stainless steel band attached. Ideal for pre-fab installations. Simply attach the #V-2 to adjacent surface or piping and position the horizontal water header. Solder the tubing to the #V-2 bracket. Heat the pipe, not the bracket.

Product Information:

- Material: 16 gage CRS, Copper-Bonded™
- UPC / IPC / IAPMO listed



THIS INFORMATION IS PROPRIETARY TO HOLDRITE AND IS SUBJECT TO CHANGE WITHOUT NOTICE. IT MAY NOT BE REPRODUCED IN PART OR WHOLE WITHOUT WRITTEN AUTHORIZATION.

HOLDRITE®

CONVERTING MAKESHIFT METHODS INTO ENGINEERED SOLUTIONSSM
800-321-0316 OR 760-744-6944 / FAX: 760-744-0507 / WWW.HOLDRITE.COM
spec_V2_RevF

Product Submittal	
Job Name:	
Date:	
Part Number:	Qty:
Architect / Owner:	
Contractor:	
Notes:	