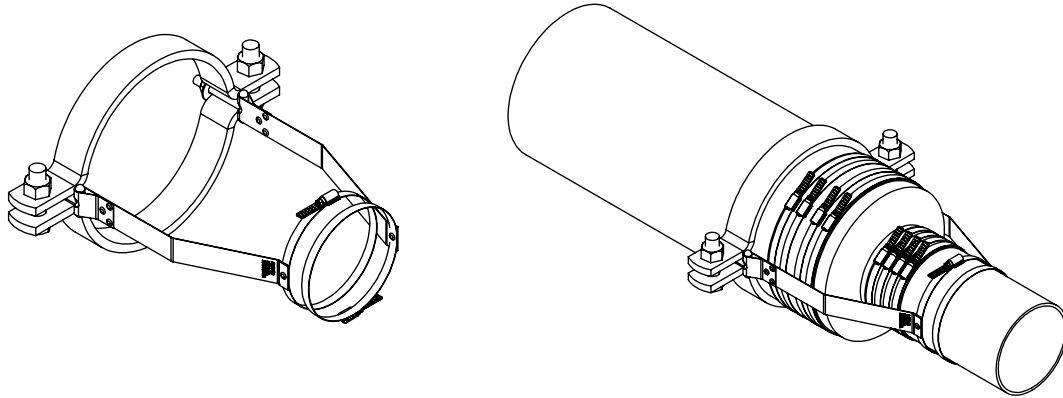


PRODUCT SPECIFICATION DRAWING
HOLDRITE® #117-10X4 thru -15X8 (R or R-G) Series No-Hub Fitting Restraints



#117-10X4R, -10X6R, -10X8R, -12X4R, -12X6R, -12X8R, -15X4R, -15X6R or -15X8R (standard)

or

#117-10X4R-G, -10X6R-G, -10X8R-G, -12X4R-G, -12X6R-G, -12X8R-G, -15X4R-G, -15X6R-G or -15X8R-G (galvanized)

THE HOLDRITE® #117-10X4 thru -15X8 (R or R-G) Series No-Hub Fitting Restraints are designed to reinforce no-hub cast iron installations in accordance with the installation instructions of the U.S. cast iron soil pipe manufacturers, CISPI Designation 310-11, and the 2006 CISPI Installation Handbook. The #117-R Series kits retains the Short Reducer onto the adjoining piping. All stainless steel bands must be torqued to 60 in/lbs. minimum and the pipe clamps torqued to 60 ft/lbs. When installed correctly, these restraint brackets achieve a safe thrust pressure rating equal to 50' head of water pressure for 10" models and 40' for 12"-15". Models ending in "-G" represent "galvanized".

NOTE:

While these restraint kits aid in compliance with the 2006 CISPI Handbook, they are not intended to suggest that no-hub pipe and fittings should be subjected to pressures in excess of the pipe manufacturers' recommendations.

Product Information:

- Material:
 - Strap: 24GA, CRS, galvanized
 - Clamp: Heavy Duty Black or Galvanized Steel Pipe Clamp
 - Hardware: Standard (R) or Galvanized (R-G)
- Patent pending
- Thrust force restraint test data available upon request
- Refer to installation instructions at www.holdrite.com

THIS INFORMATION IS PROPRIETARY TO HOLDRITE AND IS SUBJECT TO CHANGE WITHOUT NOTICE. IT MAY NOT BE REPRODUCED IN PART OR WHOLE WITHOUT WRITTEN AUTHORIZATION.



Product Submittal	
Job Name:	
Date:	
Part Number:	Qty:
Architect / Owner:	
Contractor:	
Notes:	