



Product Submittal	
Name	
Date	
Architect/Owner	
Contractor	
Tag	
Notes	

## HoldRite 117-3T thru 117-8T Series Specification Sheet/Drawing

The HoldRite #117-3T thru #117-8T Series No-Hub Fitting Restraints are designed to reinforce no-hub cast iron installations in accordance with the installation instructions of U.S. cast iron soil pipe manufacturers and the 2006 CISPI Installation Handbook or PVC (System 15 / System XFR) installations in accordance with the installation instructions of System 15 / System XFR manufactured by IPEX Inc. and applicable requirements in CSA B181.2, CSA B602, and NPC 2020. The #117-3T thru #117-8T (3" - 8" pipe size) retain a test tee/clean out tee onto adjoining piping. All four stainless steel bands must be tightened to 60 in-lb minimum for cast iron and 70-80 in-lb for PVC (System 15 / System XFR). When installed correctly, these restraint brackets achieve a safe thrust pressure rating equal to 50' head of water pressure.

For PVC (System 15 / System XFR), only 8" restraint is available.

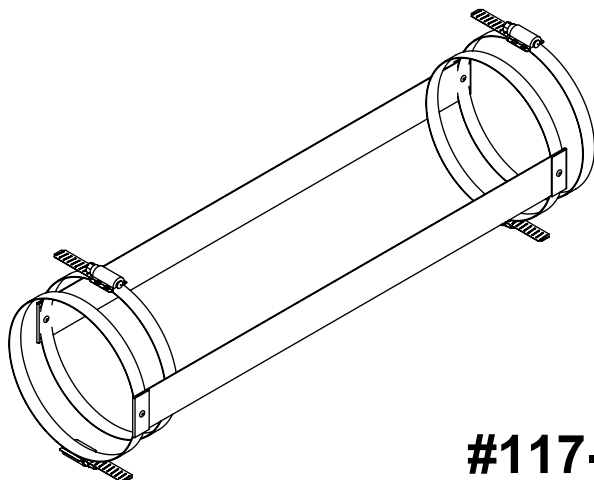
FOR ABOVE GROUND INSTALLATION USE ONLY.

### NOTE:

While these restraint kits aid in compliance with applicable standards, they are not intended to suggest that cast iron or PVC (System 15 / System XFR) pipe and fittings should be subjected to pressures in excess of the pipe manufacturers' recommendations.

### Product Information:

- Material:
  - Strap: 24GA, CRS, Galvanized Steel
  - Bands: Stainless steel body, band & screw
- Torque: 60 in-lb minimum on bands (cast iron)  
70-80 in-lb on bands (PVC System 15 / System XFR)
- Patent pending
- Thrust force restraint test data available upon request



SKU No.
117-3T
117-4T
117-5T
117-6T
117-8T

## #117-5T Shown

Scale: 1 / 6

