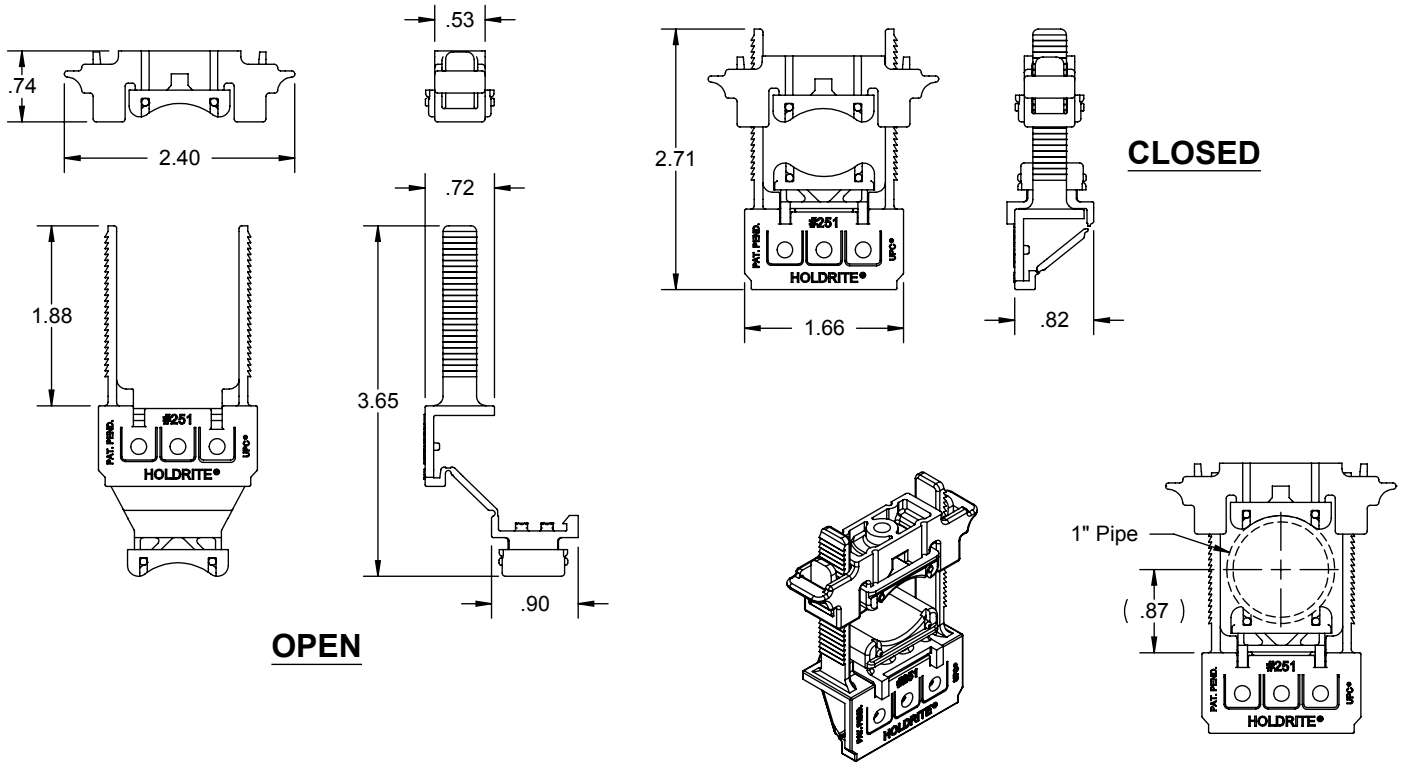


PRODUCT SPECIFICATION DRAWING

HOLDRITE® Rapid Clamp™ #251



The **HOLDRITE® Rapid Clamp™ #251** is a variable closure tube clamp designed to attach securely to the **HOLDRITE #170 Bracket** without the use of screws. Clamp supports up to 1"CTS tube size and is compatible with any tubing including Copper, PEX, CPVC tubing, and conduit. The #251 Rapid Clamp is UPC listed.

Product Information:

- Material:
 Top & Bottom Clamp: Polypropylene, FR UL94-HB, Gray
 Pads: TPR, natural (off-white), 50 shore A
- Temperature range: -10 °F to +140 °F (suspension)
 -10 °F to +180 °F (top mount)
- Load rating: 25 lbs in suspended mode, 200 lbs maximum in top mount
- IAPMO listed, per standard PS42-96
- Patent Pending



THIS INFORMATION IS PROPRIETARY TO HOLDRITE AND IS SUBJECT TO CHANGE WITHOUT NOTICE. IT MAY NOT BE REPRODUCED IN PART OR WHOLE WITHOUT WRITTEN AUTHORIZATION.

HOLDRITE®

CONVERTING MAKESHIFT METHODS INTO ENGINEERED SOLUTIONSSM
 800-321-0316 OR 760-744-6944 / FAX: 760-744-0507 / WWW.HOLDRITE.COM
 spec_251_RevE

Product Submittal	
Job Name:	
Date:	
Part Number:	Qty:
Architect / Owner:	
Contractor:	
Notes:	