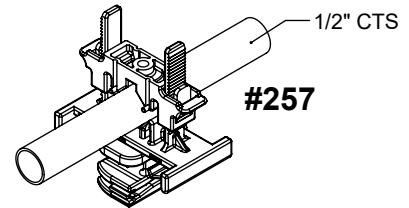
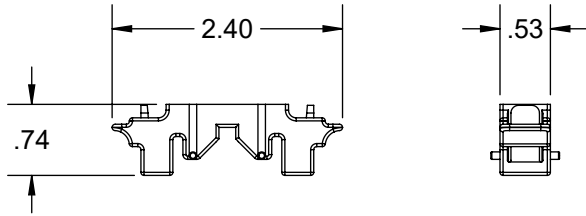
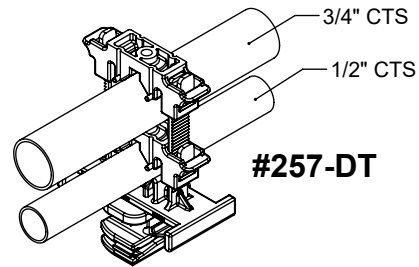
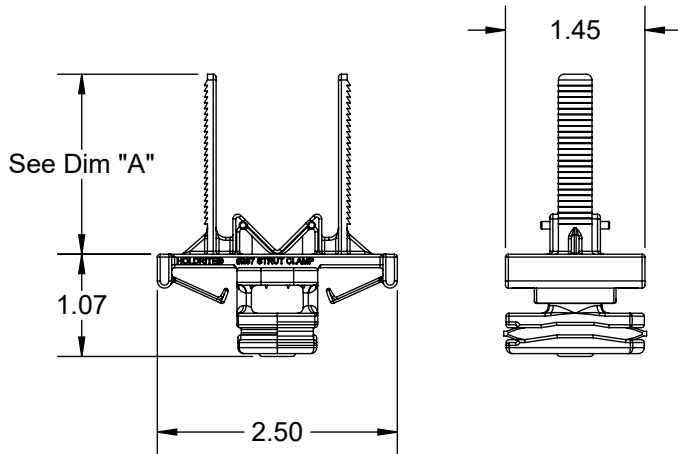


# PRODUCT SPECIFICATION DRAWING

## HOLDRITE® #Strut Clamp™ #257 Series



ALL DIMENSIONS IN INCHES



Model #	Arm Length Dim "A"
257	1.88
257-DT	2.43

**The HOLDRITE® Strut Clamp™ #257 & #257-DT is a strong variable closure clamp. Clamp supports up to 1" CTS tubing sizes. Supports Copper, PEX CPVC tubing, conduit, etc. Framework complies with UL94V-2 fire rating.**

### Product Information:

- Material:  
Top & Bottom Clamp: Nylon, medium blue, FR UL94V-2
- Temperature range: -10 °F to +180 °F
- Load rating: 25 lbs in suspended mode, 200 lbs maximum in top mount
- UPC / IPC / IAPMO listed



THIS INFORMATION IS PROPRIETARY TO HOLDRITE AND IS SUBJECT TO CHANGE WITHOUT NOTICE. IT MAY NOT BE REPRODUCED IN PART OR WHOLE WITHOUT WRITTEN AUTHORIZATION.



800-321-0316 OR 760-744-6944 / FAX: 760-744-0507 / WWW.HOLDRITE.COM  
spec\_257\_Series\_RevK, 06-02-20

Product Submittal	
Job Name:	_____
Date:	_____
Part Number:	Qty: _____
Architect / Owner:	_____
Contractor:	_____
Notes:	_____