

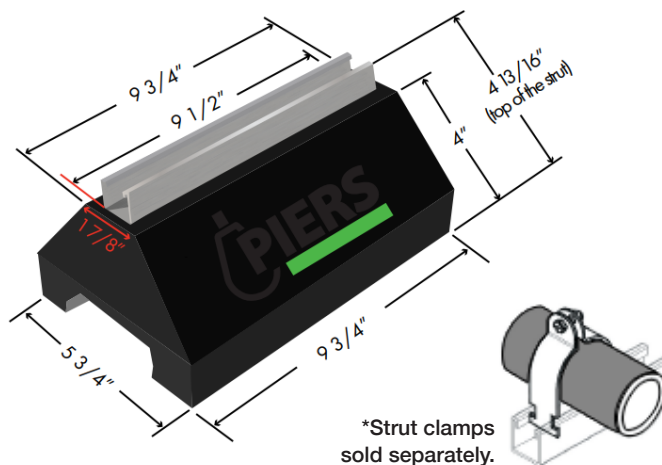
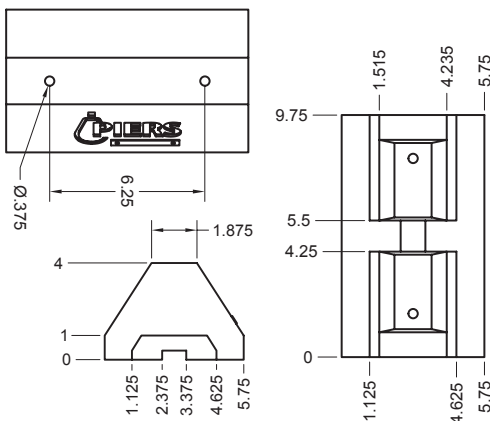


ROOFTOP SUPPORT BLOCK



**MADE FROM 100%
RECYCLED RUBBER
ENVIRONMENTALLY FRIENDLY**

Support Block is designed for superior support of piping systems, cable tray, electrical conduit, HVAC equipment and many other applications. It is UV resistant and suitable for installation on most types of roofing material or other flat surfaces. Can be used as a curb (sleeper) replacement.



Rooftop Support Block

Features

- Made from High Grade Recycled Rubber
- Green Reflector for High Visibility and Safety
- Available with and without strut
- Screw fasteners can be used to attach one or two hole pipe straps or a piece of strut
- UV resistant
- Dampens vibrations

Sizes: 1-5/8" x 13/16"

Block Material: Recycled Rubber

Strut Material: Pregalvanized Steel

Weight (lbs): 5.2

Static Load Capacity (lbs): 750

ITEM	DESCRIPTION	HEIGHT	LENGTH	WIDTH	INNER QTY	PALLET QTY	TRUCKLOAD QTY
RSB-10S	10" Rooftop Support Block with Strut	4-13/16"	9-3/4"	5-3/4"	1	352	8448
RSB-10	10" Rooftop Support Block without Strut	4"	9-3/4"	5-3/4"	1	360	8640