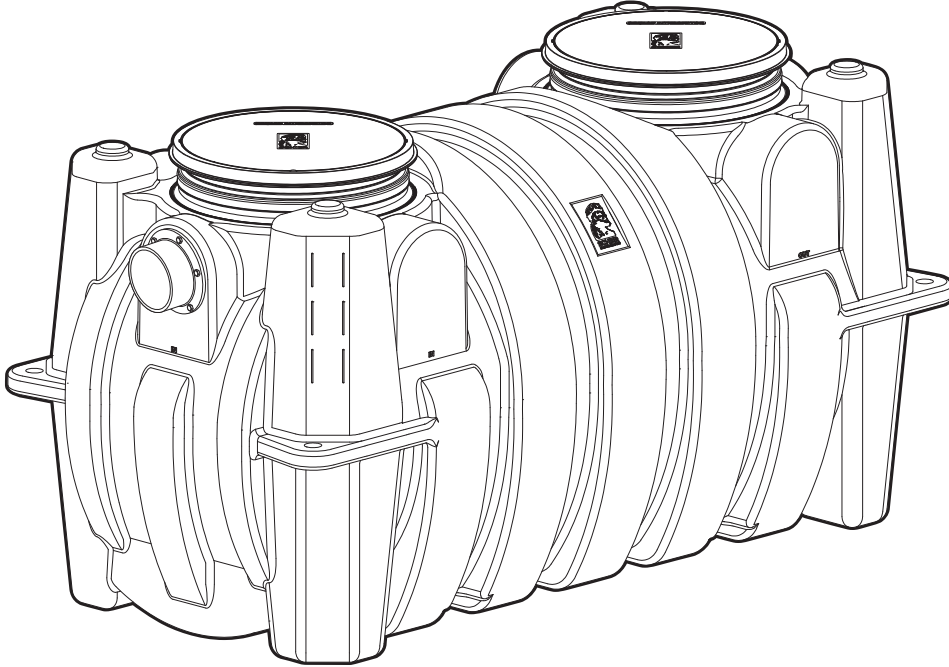

INSTALLATION GUIDE

GB-500-500HF 500 GPM Grease Interceptor for Indoor/Outdoor Installation



Contents

Special Precautions	2
Getting to Know the GB-500-500HF	3
Buried Installation	4-6
On the Floor Installation	7-8
Installation Options	9



SCHIER
LIFETIME GUARANTEED
GREASE INTERCEPTORS



SPECIAL PRECAUTIONS

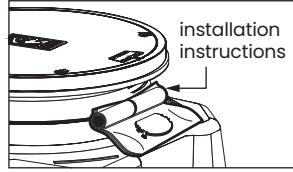
For Schier Grease Interceptor Installations - Failure to follow this guidance voids your warranty

WARNING! DO NOT AIR TEST UNIT OR RISER SYSTEM!
Doing so may result in property damage, personal injury or death.

CAUTION! Do not install this unit in any manner except as described in these instructions.

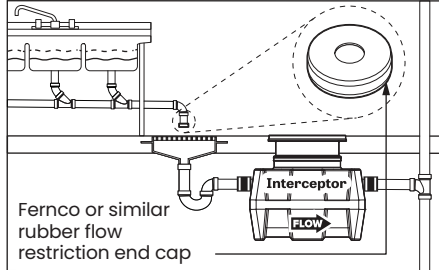
Installation Instructions

Installation instructions and additional components are included with the interceptor. Read all instructions prior to installation. This interceptor is intended to be installed by a licensed plumber in conformance with all local codes.



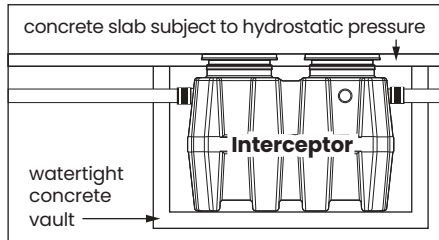
When Installing Interceptor Inside

If your dishwashing sink(s) discharges into a floor drain/sink (drain), you must regulate the flow into the drain to avoid an overflow of water onto the kitchen floor. This can be done by installing a valve or flow restriction cap on the sink piping that discharges into the drain. See drawing for guidance. For detailed guidance on indirect connections, go to: webtools.schierproducts.com/Technical_Data/Indirect_Connections.pdf



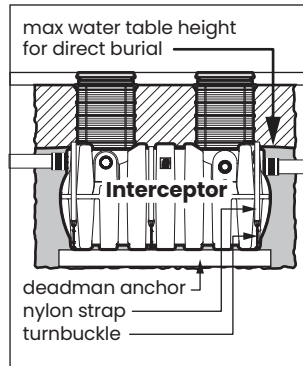
Hydrostatic Slabs (or Pressure Slabs)

When installed under a hydrostatic slab (slab designed to withstand upward lift, usually caused by hydrostatic pressure) interceptor must be enclosed in a watertight concrete vault.



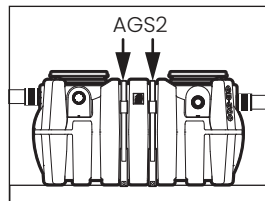
High Water Table Installations

Interceptors and risers are not designed to withstand water table height in excess of the top of the unit when buried (see figure). If it is possible for this to occur, install the interceptor and risers in a water-tight concrete vault or backfill with concrete or flowable fill (wet concrete and flowable backfill should be poured in stages to avoid crushing the interceptor). At risk areas include but are not limited to tidal surge areas, floodplains and areas that receive storm water. Great Basin™ models that are direct buried in high water table scenarios must be installed with an anchor kit. Models GB-50, GB-75, and GB-250 use model AK1 anchor kit. Model GB-500 uses model AK2 anchor kit for use with deadmen anchors.



Above Grade Installation Support (for Model GB-500 Only)

The wet weight of the interceptor combined with high temperature kitchen water creates the potential for tank deformation when installed above grade. Model GB-500 installed above grade must be installed with Above Grade Support Kit model AGS2 to maintain structural integrity

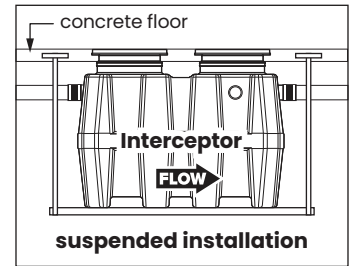


High Temperature Kitchen Water

If water is entering the interceptor at excessive temperature (over 150° F), a drain water tempering valve (DTV) and approved backflow prevention assembly must be installed. Most state and local plumbing codes prohibit water above 150° F being discharged into the sanitary sewer. Water above 150° F will weaken or deform PVC Schedule 40 pipe, poly drainage fixtures like interceptors and erode the coating of cast iron (leading to eventual failure).

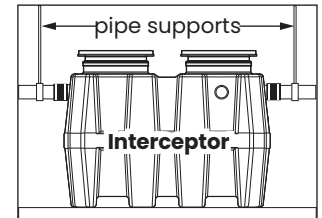
Fully Support Base of Unit

Install unit on solid, level surface in contact with the entire footprint of unit base; for suspended installations design trapeze to support the wet weight of the unit. Do not partially support unit or suspend unit using metal U-channel to create a trapeze

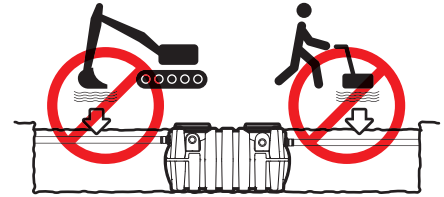


Support Inlet and Outlet Piping

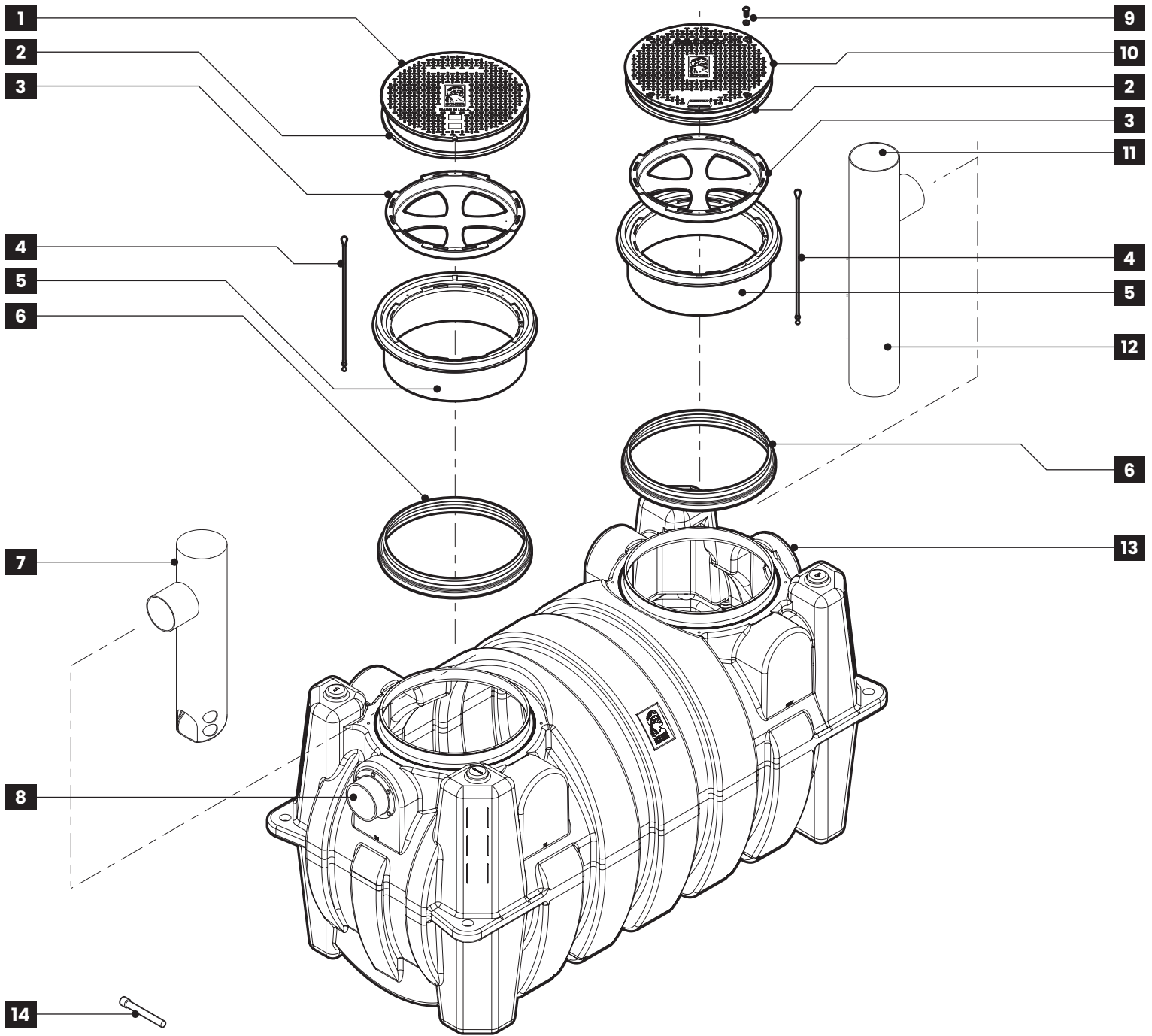
For above grade installations ensure heavy inlet and outlet piping (such as cast iron or long runs) is properly supported or suspended during the entire installation process to prevent connection failure or damage to bulkhead fittings.



DO NOT COMPACT BACKFILL



GETTING TO KNOW THE GB-500-500HF



- 1. Pickable Cast Iron Cover (standard)
- 2. Cover Gasket
- 3. Safety Star (x2)
- 4. Safety Star Tether (x2)
- 5. Cover Adapter (x2)
- 6. Cover Adapter Gasket Assembly(x2) with Upper and Lower Stainless Steel Band Clamps

- 7. Inlet Diffuser
- 8. Inlet Bulkhead Connection (standard) 6" Plain End
- 9. Composite Cover Bolts and Washers (x8)
- 10. Bolted Composite Cover (optional)
- 11. Air Relief/Visual Access

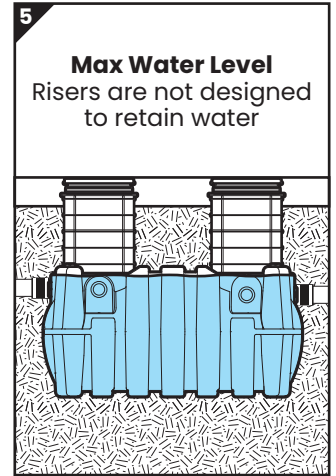
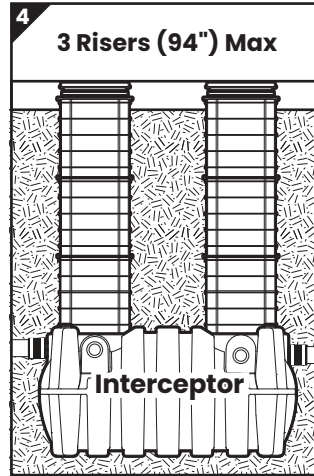
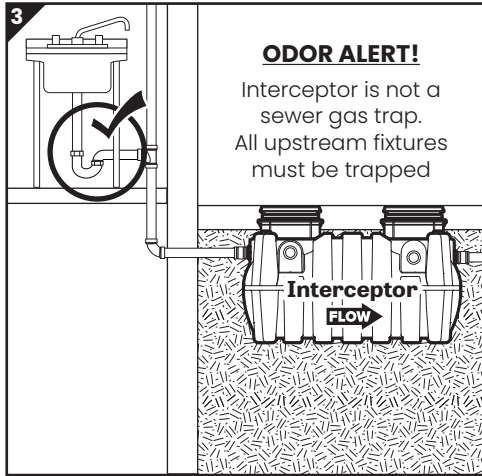
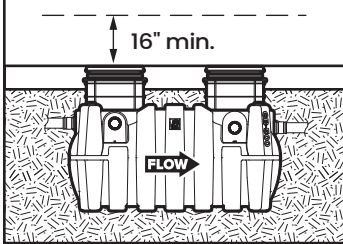
- 12. Outlet Diffuser
- 13. Outlet Bulkhead Connection (standard) 6" Plain End
- 14. 7/16" Nut Driver Bit

BURIED INSTALLATION

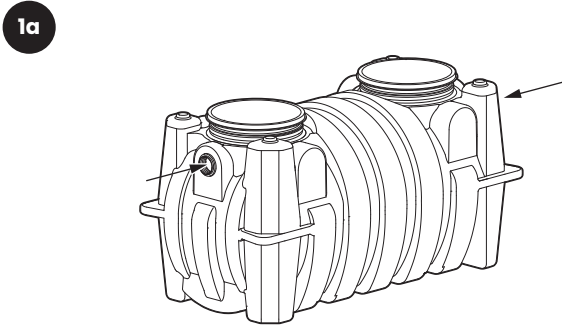
Special Precautions

1 Install interceptor as close as possible to fixtures being served

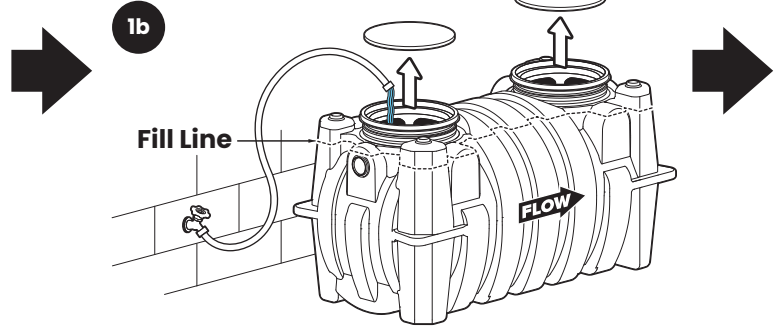
2 Provide at least 16" clearance above unit for routine maintenance.



1 Test tank for water tightness

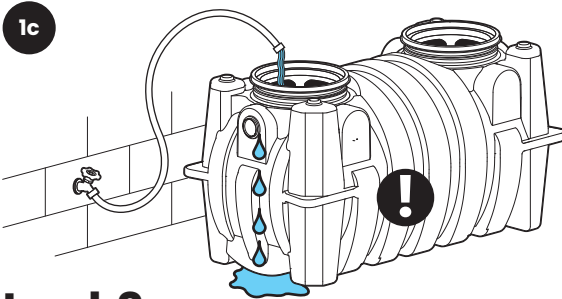


Cap inlet and outlet



Remove covers. For base unit testing fill with water to just above the highest connection.

Inspect unit, connections and gaskets for leaks. Check water level at specific time intervals per local code.

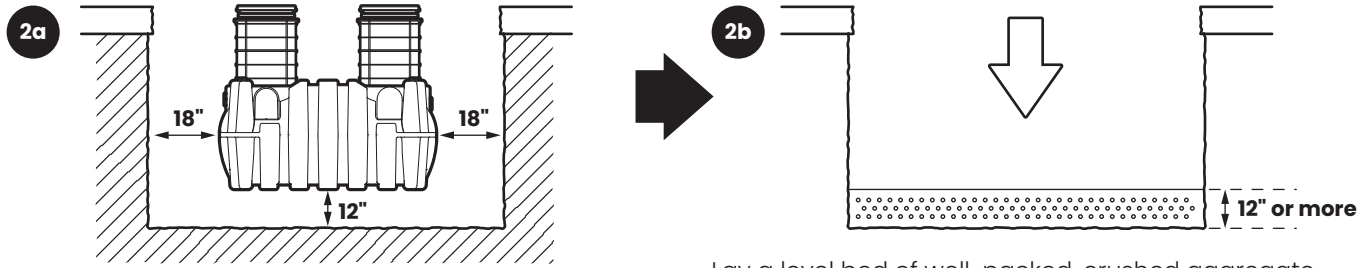


Leak?

Call customer care at 913-951-3300
8a – 5p M – F CST

BURIED INSTALLATION

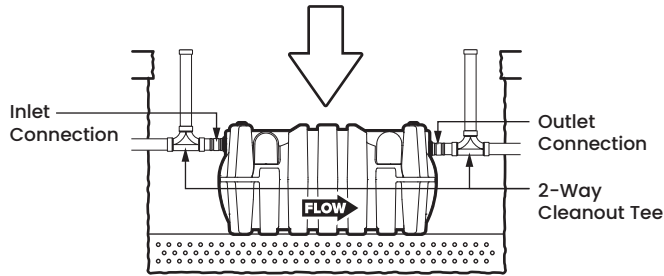
2 Excavate Burial Pit



Excavate hole at least 18" larger than interceptor on all sides and 12" deeper than tank bottom.

Lay a level bed of well-packed, crushed aggregate (approximately 3/4" size rock or sand, with no fines) in the base of hole.

3 Connect Piping



Lower unit into pit and set level. Mechanically couple inlet and outlet drainage lines to unit. **Do not solvent weld.** Ensure all upstream fixtures are trapped. Vent per local code. Installation of 2-way cleanout tees to grade (by others) is recommended.

4 Wet or Air Test Piping Per Local Code

WARNING! DO NOT AIR TEST UNIT OR RISER SYSTEM!
Doing so may result in property damage, personal injury or death.



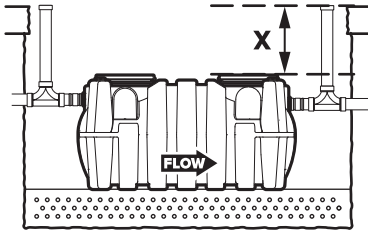
Leak? Call customer care at
913-951-3300
8a - 5p M - F CST

BURIED INSTALLATION

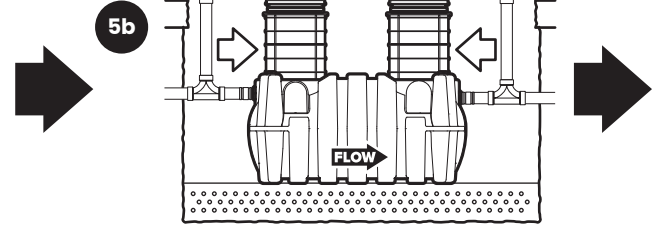
5 Bring Covers Flush-to-Grade

The GB-500-500HF is ready for burial depth of 49-1/2" from finished grade to bottom of tank (or 10-1/2" to centerline of inlet). Deeper burials will require extending the Cover Adapters and possibly adding risers.

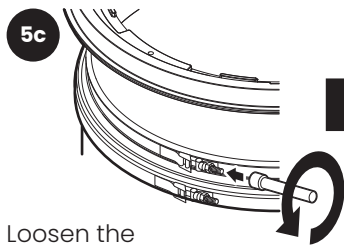
5a Measure dimension X to determine riser height needed.



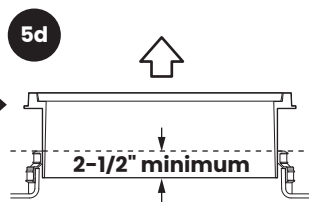
Riser Height Needed	Risers Required
0" - 4"	None (use adapter)
>4" - 34"	FCR2 (x2)
>34" - 64"	FCR2 (x4)
>64" - 94"	FCR2 (x6)



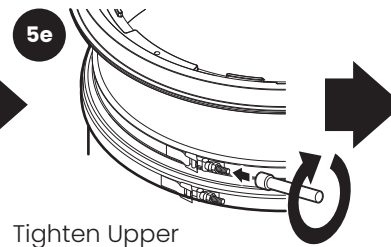
Install risers if required (see instructions included with FCR2).



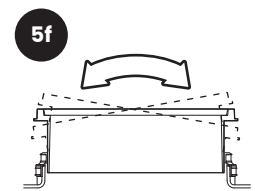
Loosen the Cover Adapter Upper Band Clamp using 7/16" Nut Driver Bit.



Adjust Cover Adapter heights as needed. **Maintain a minimum 2-1/2" insertion depth.**

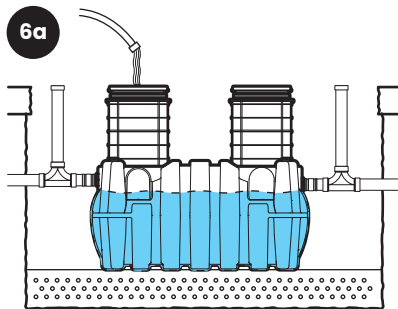


Tighten Upper Band Clamp to 5 -8 ft. lbs. of torque using 7/16" Nut Driver Bit.

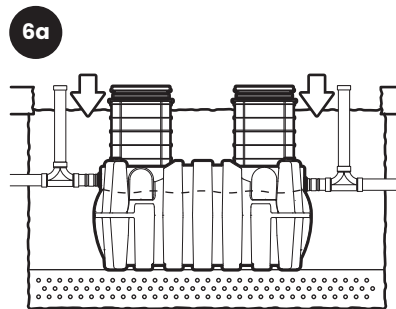


If required, Cover Adapters may now be tilted up to 10° in any direction using gasket flexibility.

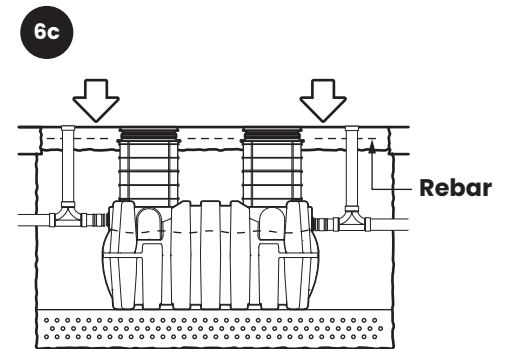
6 Backfill and Finished Grade



Fill unit with water for stabilization and float-out prevention.



Backfill evenly around tank using crushed aggregate (approximately 3/4" size rock or sand with no fines) or flowable fill. **Do not compact backfill around unit.**



Pour concrete slab to finished grade.

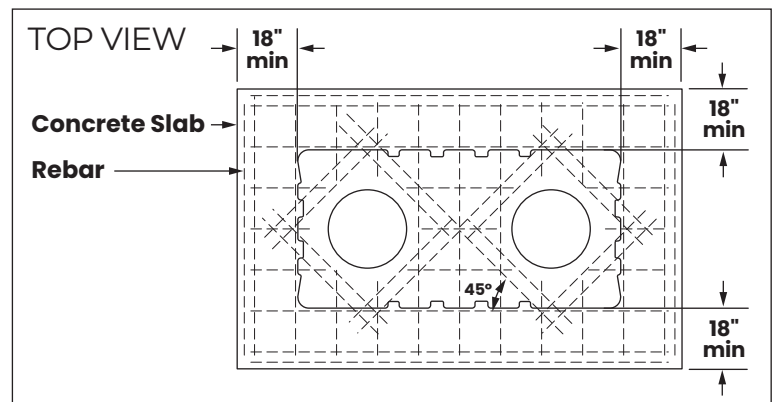
6c1

Vehicular Traffic Areas:

Minimum 8" thick concrete slab with rebar required. Thickness of concrete around covers to be determined by specifying engineer. If traffic loading is required the concrete slab dimensions shown are for guideline purposes only. Concrete to be 28 day compressive strength to 4,000 PSI. Use No. 4 rebar (ø 1/2") grade 60 steel per ASTM A615: connected with tie wire. Rebar to be 2-1/2" from edge of concrete and spaced in a 12" grid with 4" spacing around access openings.

Pedestrian Traffic or Greenspace Areas:

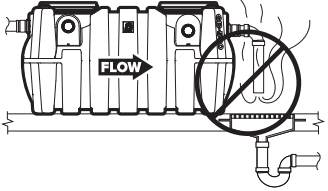
Minimum 4" thick concrete slab with rebar required.



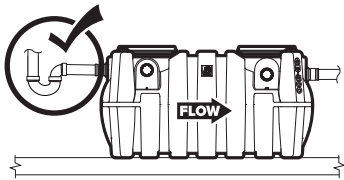
ON THE FLOOR INSTALLATION

Special Precautions

1 **ODOR ALERT!**
Do not install air gap on outlet side of interceptor.

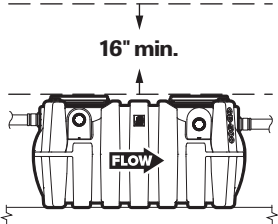


2 **ODOR ALERT!**
Interceptor is not a sewer gas trap. All upstream fixtures must be trapped.

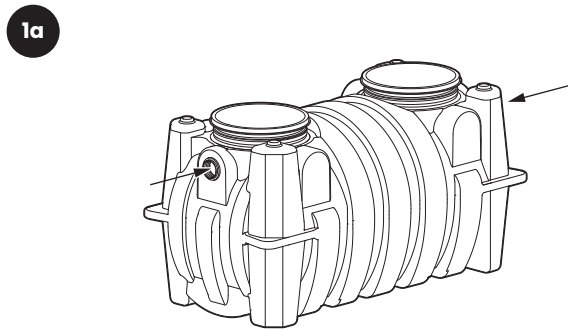


3 **Install interceptor as close as possible to fixtures being served**

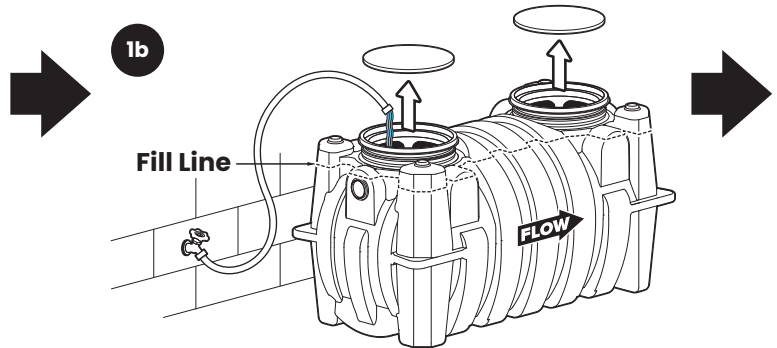
4 **Provide at least 16" clearance above unit for routine maintenance.**



1 Test tank for water tightness

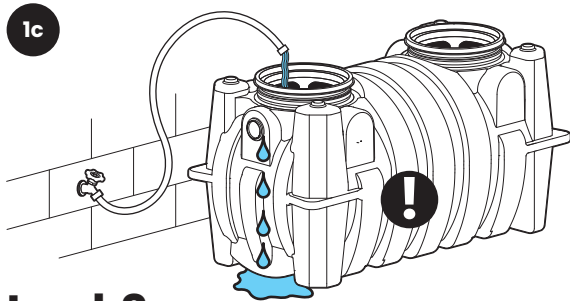


Cap inlet and outlet



Remove covers. For base unit testing fill with water to just above the highest connection.

Inspect unit, connections and gaskets for leaks. Check water level at specific time intervals per local code.

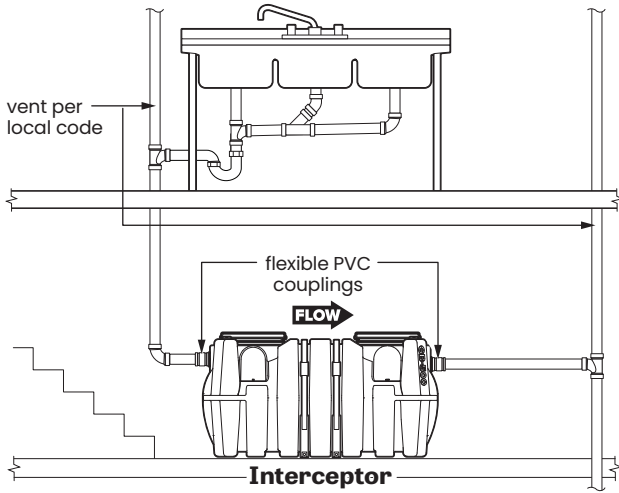


Leak?

Call customer care at 913-951-3300
8a – 5p M – F CST

ON THE FLOOR INSTALLATION

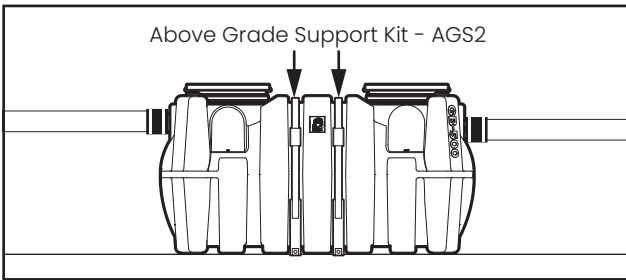
2 Connect Piping



Floor Below Installation Detail

Mechanically couple inlet and outlet drainage lines to unit. **Do not solvent weld.** Ensure all upstream fixtures are trapped. Vent per local code.

3 Install AGS2 Above Grade Support Kit (sold separately)



The wet weight of the interceptor combined with high temperature kitchen water creates the potential for tank deformation when installed above grade. Model GB-500 installed above grade must be installed with Above Grade Support Kit model AGS2 to maintain structural integrity. Refer to installation instructions included with AGS2.

4 Wet or Air Test Piping Per Local Code

WARNING! DO NOT AIR TEST UNIT OR RISER SYSTEM!
Doing so may result in property damage, personal injury or death.



Leak? Call customer care at
913-951-3300
8a – 5p M – F CST

INSTALLATION OPTIONS

1 High Water Table Installations, See Anchor Kit Model AK2

Deadmen Anchoring:

If the installation location is in a high water table area or at risk are (including but not limited to tidal surge areas, floodplains and areas that receive storm water) the GB-500-500HF must be secured to concrete deadmen anchors (by others) using Schier model AK2 anchor kit.

