

**PRODUCT SPECIFICATIONS**

In-wall Carrier for Single-station On-wall Bottle Fillers Coolers & Fountains. Overall dimensions are 20-3/4" x 2-11/16" x 44-1/8". Made of Galvanized Steel.

<b>Material:</b>	Galvanized Steel
<b>Finish:</b>	Black (BK)
<b>Dimensions:</b>	20-3/4" x 2-11/16" x 44-1/8"
<b>Shipping Weight:</b>	36 lbs.

**Special Note:** For use with single-station on-wall bottle fillers, coolers & fountains.

- Universal design provides extra support when mounting on-wall single-station models.
- System can be installed in as little as a 2" x 4" wall.
- Constructed of heavy-gauge steel supporting up to 500 lbs.
- Secures directly to a variety of load-bearing surfaces.
- Adjustable height setting allows for adult or child ADA installation.
- Built in the USA.

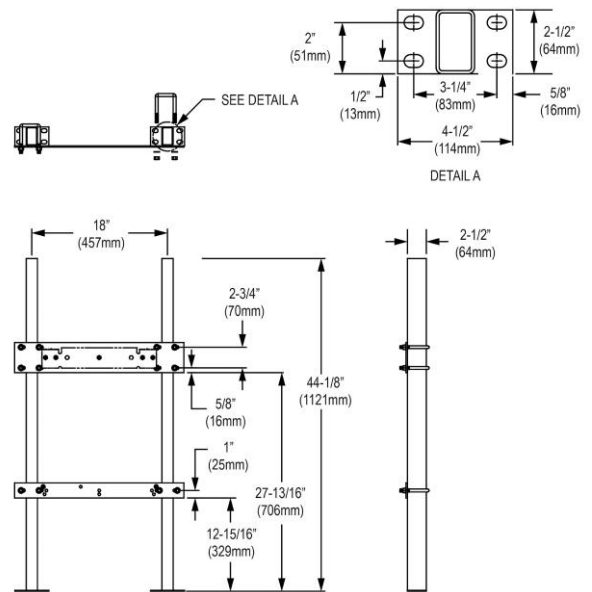


**Included with Product: Mounting Carrier Assembly**

A Century of Tradition and Quality.

For more than 100 years, Elkay has been making innovative products and providing exceptional customer care. We take pride in offering plumbing products that make life easier, inspire change and leave the world a better place.

[Installation Instructions \(PDF\) - 98369C](#)



PART: \_\_\_\_\_ QTY: \_\_\_\_\_

PROJECT: \_\_\_\_\_

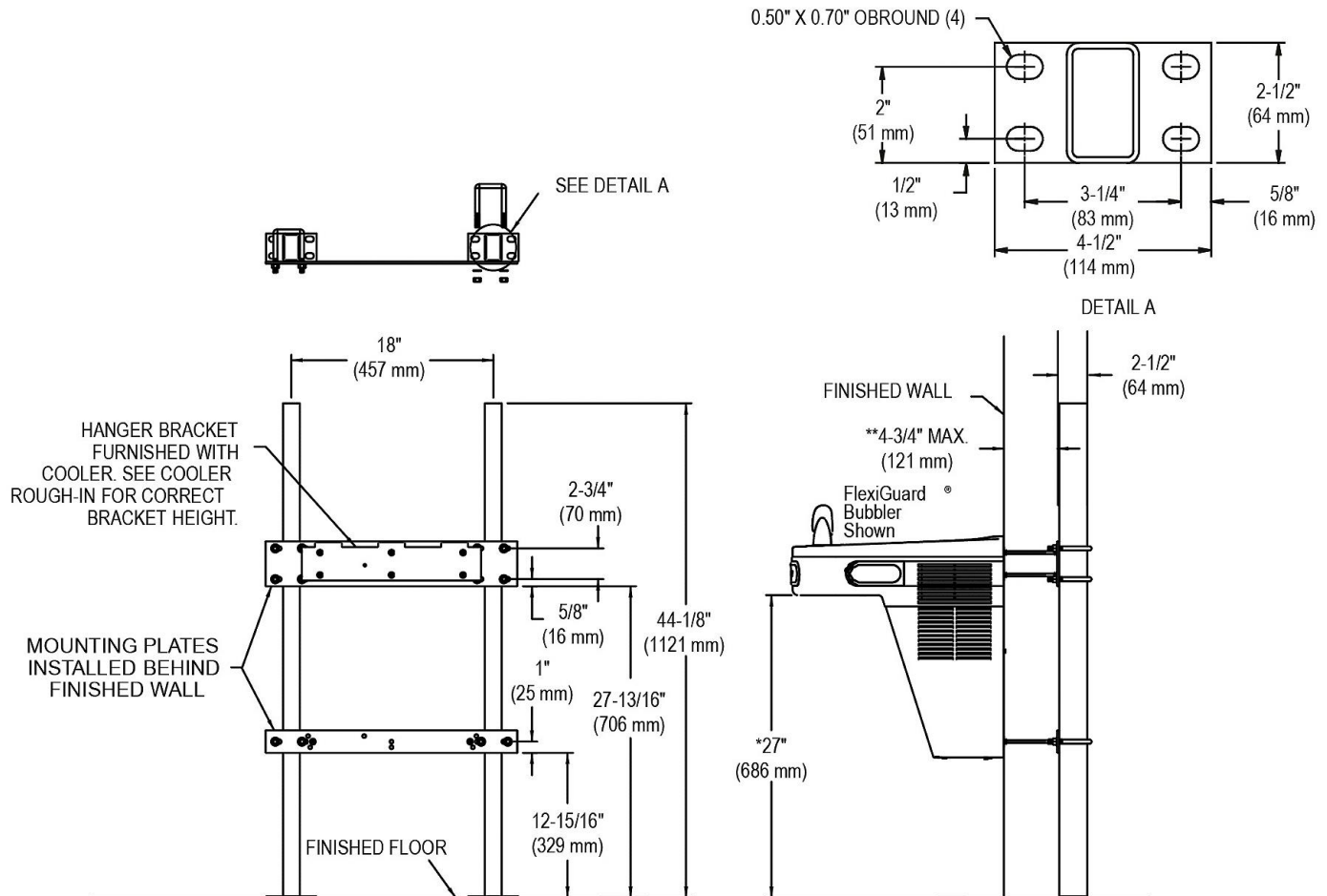
CONTACT: \_\_\_\_\_

DATE: \_\_\_\_\_

NOTES: \_\_\_\_\_

APPROVAL: \_\_\_\_\_

*In keeping with our policy of continuing product improvement, Elkay reserves the right to change product specifications without notice. Please visit [elkay.com](http://elkay.com) for the most current version of Elkay product specification sheets. This specification describes an Elkay product with design, quality, and functional benefits to the user. When making a comparison of other producers' offerings, be certain these features are not overlooked.*



\* ADA REQUIREMENT - REDUCE HEIGHT BY 3" FOR INSTALLATION OF CHILDRENS ADA COOLER.

\*\* WITH STANDARD STUD LENGTH OF 6 INCHES.

NOTE - AFTER INSTALLATION, U-BOLTS AND THREADED RODS MAY NEED TO BE TRIMMED.

In keeping with our policy of continuing product improvement, Elkay reserves the right to change product specifications without notice. Please visit [elkay.com](http://elkay.com) for the most current version of Elkay product specification sheets. This specification describes an Elkay product with design, quality, and functional benefits to the user. When making a comparison of other producers' offerings, be certain these features are not overlooked.