



| Product Submittal | |
|-------------------|--|
| Name | |
| Date | |
| Architect/Owner | |
| Contractor | |
| Tag | |
| Notes | |

HoldRite 117-10S thru 117-15S Series Specification Sheet/Drawing

The HoldRite #117-10S thru #117-15S Series No-Hub Fitting Restraints are designed to reinforce no-hub cast iron installations in accordance with the installation instructions of U.S. cast iron soil pipe manufacturers, CISPI designation 310-11 and 2006 CISPI Installation Handbook or PVC (System 15 / System XFR) installations in accordance with the installation instructions of System 15 / System XFR manufactured by IPEX Inc. and applicable requirements in CSA B181.2, CSA B602, and NPC 2020. When installed correctly, these restraint brackets achieve a safe thrust pressure rating equal to 50' head of water pressure for 10" models and 40' for 12"-15". Pipe clamps to be torqued to 60 ft-lb minimum for cast iron installations or 21-25 ft-lb for PVC (System 15 / System XFR) installations.

For PVC (System 15 / System XFR), only 10" and 12" restraints are available.

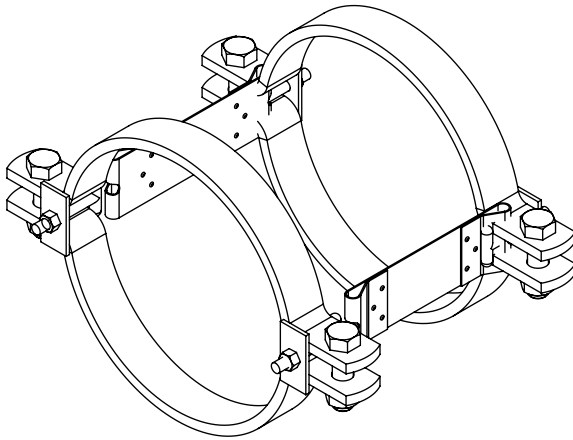
FOR ABOVE GROUND INSTALLATION USE ONLY.

NOTE:

While these restraint kits aid in compliance with applicable standards, they are not intended to suggest that cast iron or PVC (System 15 / System XFR) pipe and fittings should be subjected to pressures in excess of the pipe manufacturers' recommendations.

Product Information:

- Material:
 - Strap: 16GA, CRS, galvanized
 - Clamp: Heavy Duty Black or Galvanized Steel Pipe Clamp
 - Hardware: Standard (S) or Galvanized (S-G)
- Torque: 60 ft-lb minimum on clamps (cast iron)
21-25 ft-lb on clamps (PVC System 15 / System XFR)
- Patent pending
- Thrust force restraint test data available upon request
- Refer to installation instructions at www.rwc.com



| SKU No. |
|---------|
| 117-10S |
| 117-12S |
| 117-15S |

#117-12S Shown

Scale: 1 / 8

