

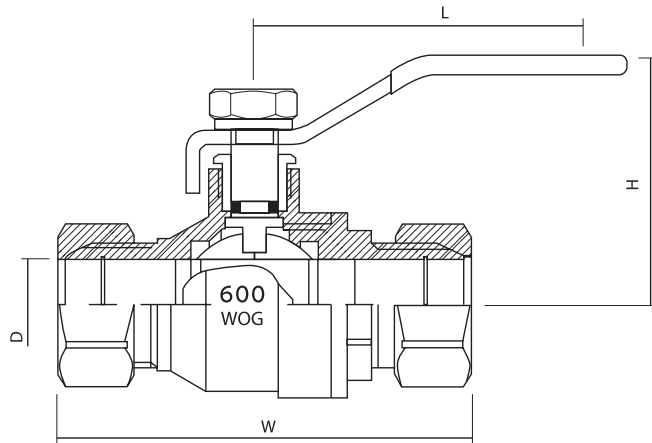
FULL PORT • COMPRESSION CONNECTION • LEAD FREE

Features

- Forged brass body
- Compression connection
- Blow-out proof stem
- Packing nut, o-ring and packing on the stem seal
- Stainless steel ball
- Handle with vinyl grip

Specifications & Approvals

600 psi (WOG) 150 psi (WSP) Service
 Temperature Range: -20°F to 300°F
 • CSA approved to: NSF/ANSI-61,
 NSF/ANSI-372, IGC-157



Dimensions

Part#	Size	D	L	H	W	Cv	Wt. (lbs)
600M012-LF	1/2"	.591	3.46	1.73	2.97	18.55	.516
600M034-LF	3/4"	.748	4.29	1.89	3.15	29.76	.915
600M001-LF	1"	.984	4.29	2.14	3.89	51.55	1.263

Material Specifications

Part Name	Material
Body	Lead Free Brass
Seat	PTFE
Ball	SS304
Packing Nut	Brass
Stem	Brass
Lock Nut	Ferrum / Zinc Plated
Lock Washer	Ferrum / Zinc Plated
Packing	PTFE
Handle	Ferrum / Chrome Plated
Cap	Lead Free Brass
Stem O-Ring	NBR
Copper Nut	Brass
Copper Laps	Brass