

## CPVC X FEMALE SS • LEAD FREE

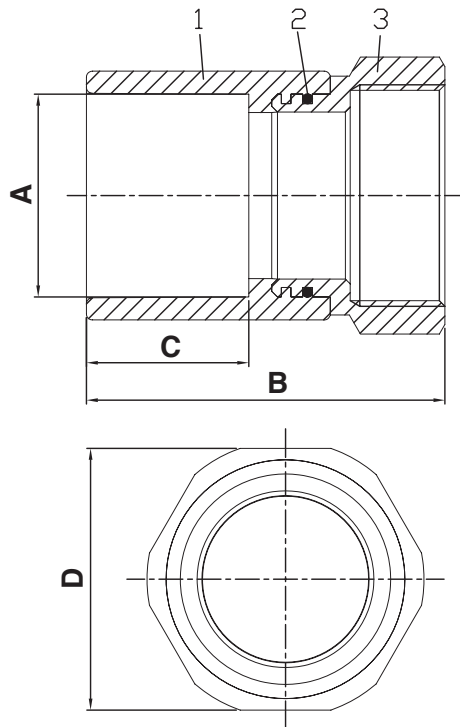
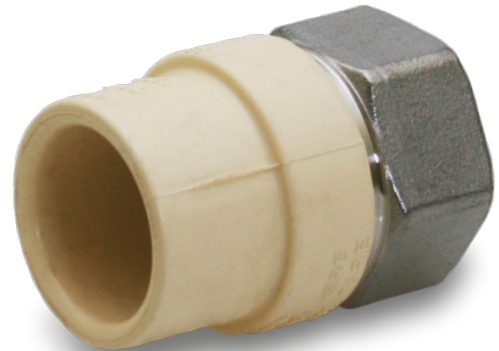
### Features

- Durable over molded one-piece fitting
- Made With Lubrizol licensed FlowGuard Gold CPVC Compound
- Product manufacturing design, materials & production, meet or exceed industry standards
- Lead free compliant

### Specifications & Approvals

Conforms to CPVC 4120, ASTM D2846, NSF / ANSI 14, cUPC, CSA B137.6

Pressure Rating: 100 PSI at 180°F / 150 PSI at 100°F



### Dimensions

Part #	Size	A	B	C	D
<b>SSCPF012-NL</b>	1/2"	0.619	1.71	0.5	0.94
<b>SSCPF034-NL</b>	3/4"	0.87	1.84	0.7	1.18
<b>SSCPF100-NL</b>	1"	1.121	2.24	0.9	1.49
<b>SSCPF114-NL</b>	1-1/4"	1.372	2.92	1.1	1.96
<b>SSCPF112-NL</b>	1-1/2"	1.622	3.15	1.3	2.21
<b>SSCPF200-NL</b>	2"	2.123	3.75	1.7	2.73

### Material Specifications

Part Name	Material
1. PVC Overmold	CPVC (Lubrizol)
2. Seal	EPDM
3. Metal Insert	Stainless Steel

## CPVC X MALE SS • LEAD FREE

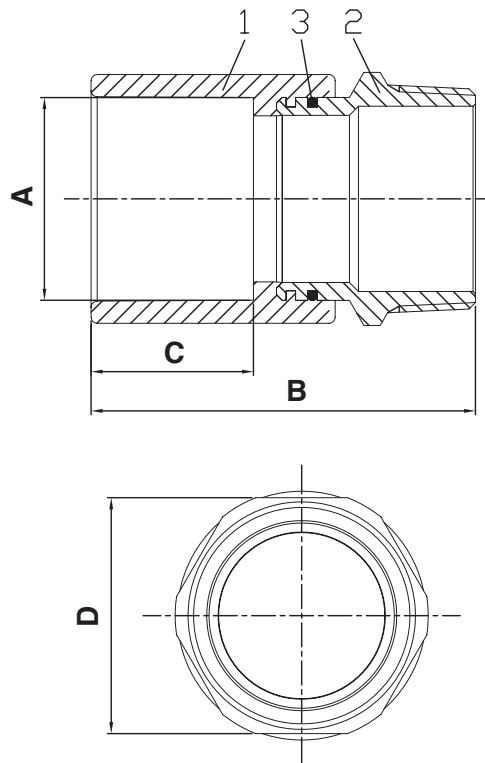
### Features

- Durable over molded one-piece fitting
- Made With Lubrizol licensed FlowGuard Gold CPVC Compound
- Product manufacturing design, materials & production, meet or exceed industry standards
- Lead free compliant

### Specifications & Approvals

Conforms to CPVC 4120, ASTM D2846, NSF / ANSI 14, cUPC, CSA B137.6

Pressure Rating: 100 PSI at 180°F / 150 PSI at 100°F



### Dimensions

Part #	Size	A	B	C	D
<b>SSCPM012-NL</b>	1/2"	0.619	1.927	0.5	0.97
<b>SSCPM034-NL</b>	3/4"	0.87	2.104	0.7	1.24
<b>SSCPM100-NL</b>	1"	1.121	2.60	0.9	1.35
<b>SSCPM114-NL</b>	1-1/4"	1.372	3.12	1.1	1.73
<b>SSCPM112-NL</b>	1-1/2"	1.622	3.31	1.3	1.98
<b>SSCPM200-NL</b>	2"	2.123	4.01	1.7	2.46

### Material Specifications

Part Name	Material
1. PVC Overmold	CPVC (Lubrizol)
2. Seal	EPDM
3. Metal Insert	Stainless Steel

## STAINLESS STEEL EAR • LEAD FREE

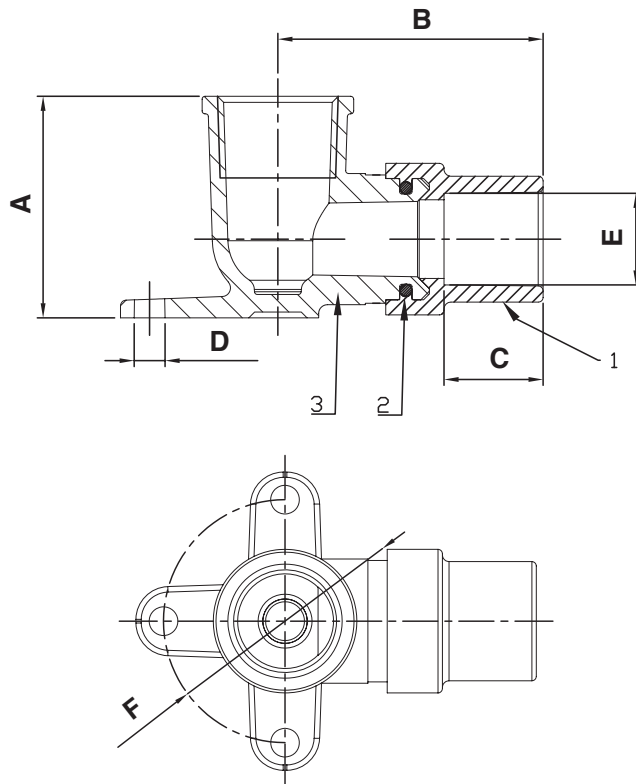
### Features

- Durable over molded one-piece fitting
- Made With Lubrizol licensed FlowGuard Gold CPVC Compound
- Product manufacturing design, materials & production, meet or exceed industry standards
- Lead free compliant

### Specifications & Approvals

Conforms to CPVC 4120, ASTM D2846, NSF / ANSI 14, cUPC, CSA B137.6

Pressure Rating: 100 PSI at 180°F / 150 PSI at 100°F



### Dimensions

Part #	Size	A	B	C	D	E	F
SSDP012-NL	1/2"	1.496	1.79	0.5	0.196	0.619	1.732

### Material Specifications

Part Name	Material
1. PVC Overmold	CPVC (Lubrizol)
2. Seal	EPDM
3. Metal Insert	Stainless Steel