

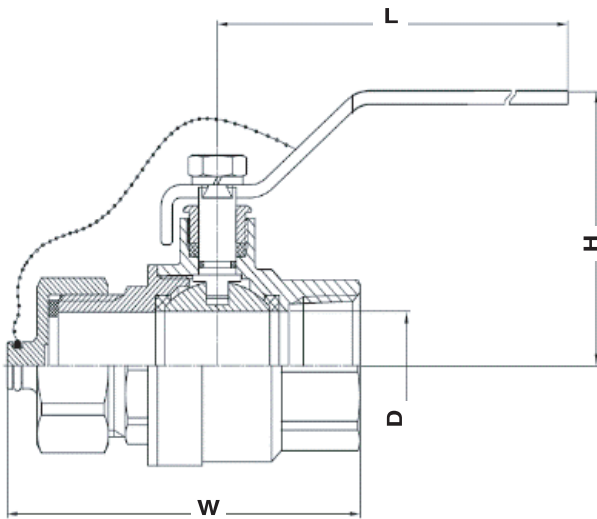
INCLUDES CAP & CHAIN • FULL PORT • 600 WOG • THREAD X HOSE CONNECTION

Features

- Cap and seal for easy drain and hose connection
- Female threaded by hose connection, with cap
- Dezincification resistant lead free brass
- Stainless steel ball
- Blow-out proof brass stem
- Packing nut, o-ring & PTFE seal on the stem
- Lever handle with vinyl grip

Specifications & Approvals

Threaded ends conforms to ANSI B1.20.1
 Max Pressure Rating: 600 psi WOG / 150 psi WSP
 Temperature Range: -20°F to 300°F
 CSA approved per NSF/ANSI-61, NSF/ANSI-372, IGC-157



Dimensions



Part#	Size	D	L	H	W	Cv
THBV-012-NL	1/2"	0.591	3.46	1.81	3.15	18.55
THBV-034-NL	3/4"	0.748	4.29	2.09	3.43	29.76

Material Specifications

Part Name	Material
Body	Lead Free Brass C46500
Seat	PTFE
Ball	SS304
Stem O-Ring	NBR
Packing Nut	Brass C37700
Stem	Brass C37700
Lock Nut	Ferrum / Zinc Plated
Lock Washer	Ferrum / Zinc Plated
Packing	PTFE
Handle	Ferrum / Chrome Plated
Cap	Lead Free Brass C46500
Copper Nut	Brass C37700
Gasket	EPDM
Bead-Chain	Plated Steel