

PANEL-TRACK

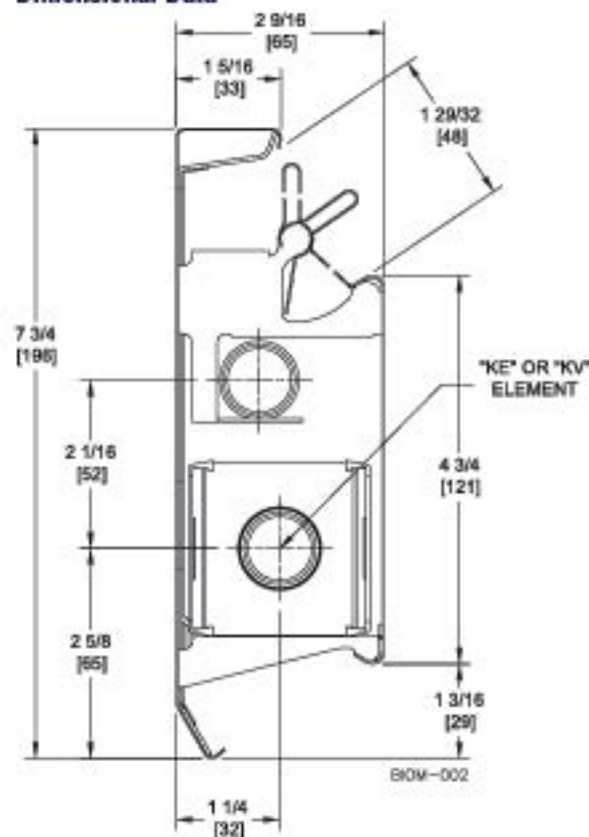
Low Profile Hot Water Baseboard Radiation

Specifications

Ratings

Model	GPM	Average Hot Water Temperature °F - BTU/Hr./Lin. Ft.									
		120°	130°	140°	150°	160°	170°	180°	190°	200°	210°
KPT-E 3/4"	4	205	261	316	366	419	510	570	630	700	760
	1	195	248	300	338	398	480	540	600	660	720
KVP-D 1/2"	4	216	274	332	374	440	540	600	680	730	790
	1	204	259	314	353	416	510	570	640	690	750

Dimensional Data



Accessories



End Cap

3" wide left (KCC-L) and right (KCC-R), for use at doorways and wherever a finished end is needed. 3" wide slotted left (KCCS-L) and right (KCCS-R), for through-the-wall connections. Fully telescopic.



Outside Corner

90° (KOC-90) and 135°/45° (KOC-45). Use to trim corners at projecting wall. Telescopic up to 1" on each wall.



Hinged End Caps

5 1/2" wide left (KHC-L) and right (KHC-R). Ideal for semi-recessed installation. Makes removal of front panel easier. Fits flush to the floor. Fully telescopic.



Inside Corner

90° (KIC-90) and 135°/45° (KIC-45). One piece snap-on for easy installation. Telescopic up to 2 1/2" on each wall.



Splicer Set

2" wide (KSP). Three piece snap-on top, front and damper joiner. Joins adjacent baseboard panels. Comes with damper joiner (KDJ-2).



Extension Sets

7" wide (KEX-7) and 14" wide (KEX-14). Four sections (back, front, top and damper). Telescopes to fill gaps of 5 1/4" to 12 1/2" between baseboard panels.



Wall Joiners

3" wide left (KWJ-3), right (KWJ-3R) and 5" left (KWJ-5), right (KWJ-5R). Ideal where piping goes through partitions. Fully telescopic.