



OATEY QUIET PIPES® HAMMER ARRESTORS TEE FITTING

Job Name _____	Item # _____
Location _____	
Engineer _____	Contractor _____
PO # _____	Tag _____
Representative _____	

SPECIFICATIONS

Oatey Quiet Pipes Hammer Arrestors shall be installed in any diameter pipe supply application which could experience water hammer due to quick closing valves or faucets. Arrestor chambers shall be specifically sized to accommodate and dissipate energy generated by such valves and faucets. Arrestors shall be effective when installed at any angle. Arrestor shall be lead-free, made of copper and include a polypropylene piston with two NBR o-rings. Arrestors shall conform to ANSI/ASSE1010-2004, listed and approved for installation with no access panel required.

FEATURES & MATERIALS

Arrestor Body	Copper (Type L)
Piston	Polypropylene with two NBR O-rings
Piston Lubrication	Dow Corning Molykote 111
Fittings Available	Female Compression, O.D. Compression, F1807 PEX & F1960 PEX (no lead brass C46400)

PERFORMANCE SPECIFICATIONS

Temperature Range	33° - 180° F
Max Working Pressure	0-60 PSI

LISTINGS & CODE APPROVALS

ANSI/ASSE1010-2004
cUPC
PDI WH-201-2017

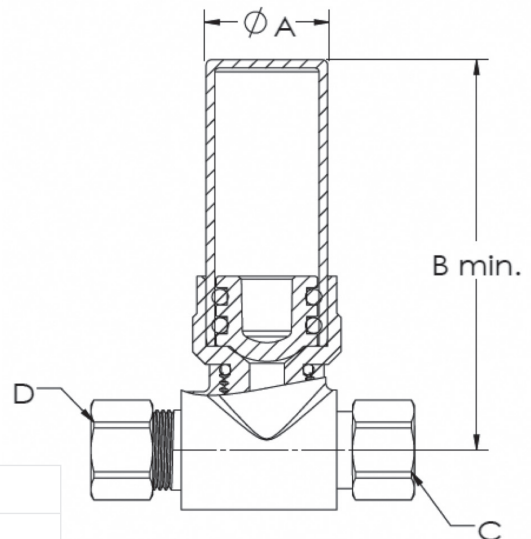


DIMENSIONS

Arrestor Size	AA	AA	AA	AA	AA	AA	AA
Product #	34473	34475	34465	34474	34471	34472	34467
Arrestor Body Diameter [A]:	0.875"	0.875"	0.875"	0.875"	0.875"	0.875"	0.875"
Overall Height [B]:	2.75"	2.75"	2.75"	2.75"	2.75"	2.75"	2.75"
Connection Type [C]:	O.D. Comp.	Female Comp.	Female Comp.	O.D. Comp.	F1960 PEX	F1807 PEX	Female Comp.
Connection Type [D]:	O.D. Comp.	O.D. Comp.	O.D. Comp.	O.D. Comp.	F1960 PEX	F1807 PEX	O.D. Comp.
Connection Size	1/4"	1/4"	3/8"	3/8"	1/2"	1/2"	5/8"

PRODUCT SELECTOR

✓ Product Number	Description	✓ Product Number	Description
34473	AA, 1/4" O.D. Compression	34471	AA, 1/2" F1960 PEX
34475	AA, 1/4" O.D. Compression x Female Tee	34472	AA, 1/2" F1807 PEX
34465	AA, 3/8" O.D. Compression x Female Tee	34467	AA, 5/8" O.D. Compression x Female Tee
34474	AA, 3/8" O.D. Compression		



*Limited Lifetime Warranty – See Oatey.com/warranty for details.

Access BIM/Revit content through www.Oatey.com