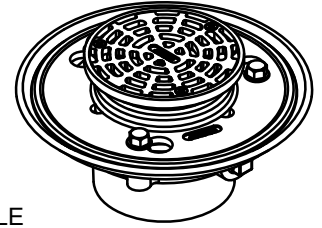
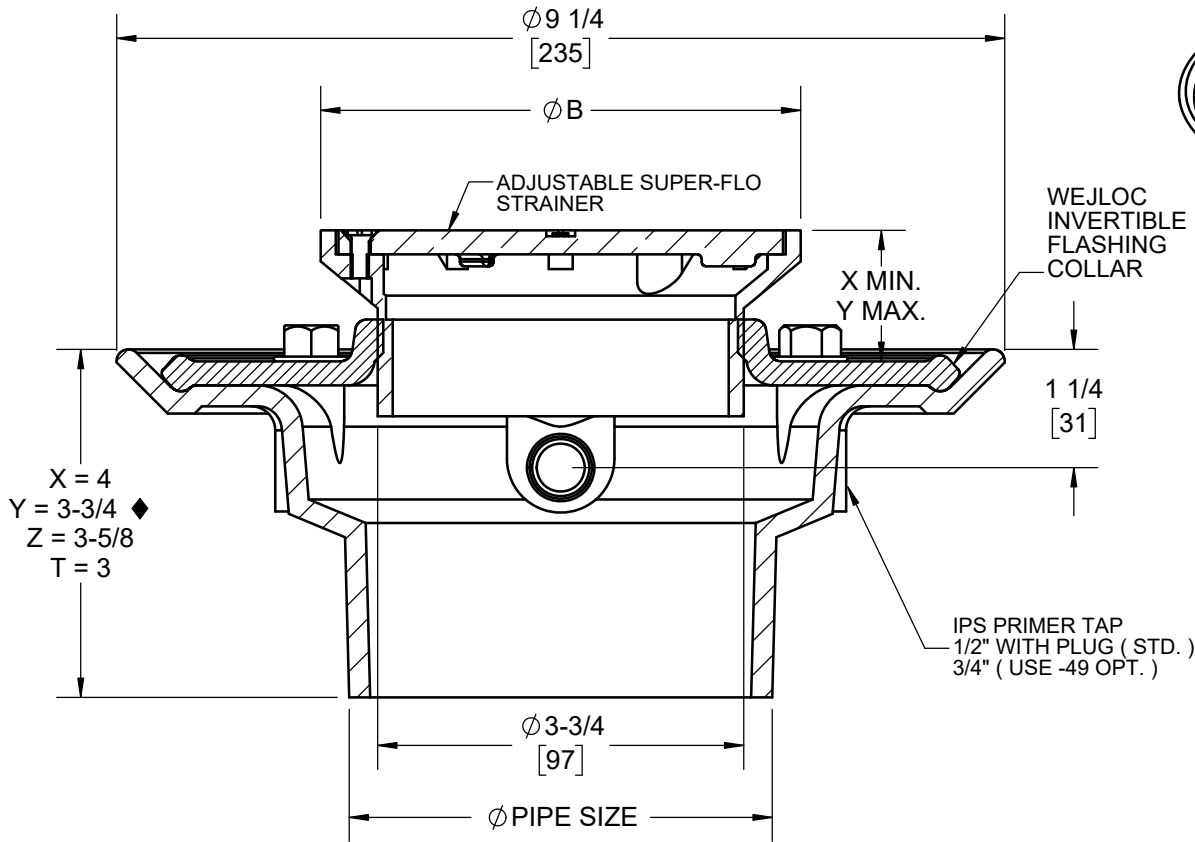


SPECIFICATION:

JOSAM SERIES 30000-A CAST IRON FLOOR DRAIN, TWO-PIECE BODY WITH DOUBLE DRAINAGE FLANGE AND 1/2" PRIMER TAP, WEJLOC® INVERTIBLE FLASHING COLLAR, WEEPHOLES, BOTTOM OUTLET CONNECTION AND NIKALOY ADJUSTABLE ROUND SUPER-FLO STRAINER.

**FLOOR DRAIN
ADJUSTABLE FLOOR DRAIN**

SERIES **30000-A**



	STRAINER	DIA. B	X	Y	FREE AREA
	-5A	5	3/4	2-1/8	7.8
	-6A	6	1-1/4	2-3/8	11.0
	-7A	7	1-1/8	2-7/8	13.2
	-8A	8	1-5/8	2-5/8	16.2
	-9A ■	9	1-1/8	2-1/4	21.1
	-10A ■	10	1-1/8	2-3/8	28.0

SLOT WIDTH 1/4" (5" THRU 8" TOPS)

◆ GASKET ON -Y CONNECTION CONFORMS WITH ASTM-C564

■ NOT SUPER-FLO DESIGN, 1" x 1/2" OPENINGS

▼ SEPARATE SUBMITTAL FOR THIS OPTION AVAILABLE

	2"	PIPE SIZE		-J	BACKWATER VALVE	▼
	3"	PIPE SIZE		-PD	PRISON DRAIN (2" & 3" SIZES ONLY)	▼
	4"	PIPE SIZE		-SS	STAINLESS STEEL	
				-ST	WITH SHALLOW TRAP (2" & 3" SIZES ONLY)	▼
	-2	BRONZE ADJUSTABLE STRAINER		-TSO	THREADED SIDE OUTLET	▼
	-49	3/4" PRIMER TAP		-VP	SECURED GRATE	
	-80	PERFORATED STAINLESS STEEL BASKET		-HD	HEAVY DUTY LOAD RATING (5A & 6A ONLY)	
	-91	ROUGH BRONZE BODY		-T	THREADED OUTLET	
	-92	GALVANIZED CAST IRON PARTS		-X	INSIDE CAULK OUTLET	
	-SS-LR	STAINLESS STEEL LIGATURE RESISTANT (AVL. IN 6A ONLY)		-Y	HUB OUTLET WITH GASKET ◆	
	-ARE	ACID-RESISTING EPOXY		-Z	NO-HUB SPIGOT OUTLET	
	-CP	CHROME PLATED STRAINER (5A & 6A)		-DBC	DEBRIS COVER (-5A, -6A, -8A)	

DATE OF LAST CHANGE: 09/06/19

DIMENSIONS ARE SUBJECT TO MANUFACTURERS TOLERANCES AND CHANGE WITHOUT NOTICE. WE CAN ASSUME NO RESPONSIBILITY FOR USE OF SUPERSEDED OR VOID DATA.

JOSAM

MICHIGAN CITY, INDIANA

NOTES