

SPECIFICATION:

JOSAM 37810 SERIES COATED CAST IRON FLOOR DRAIN, TWO-PIECE MEDIUM-DEEP BODY WITH DOUBLE DRAINAGE FLANGE, NON-PUNCTURING FLASHING FRAME, WEEPHOLES, BOTTOM OUTLET, SQUARE TOP, HEAVY DUTY LOOSE-SET GRATE AND REMOVABLE SEDIMENT BUCKET.

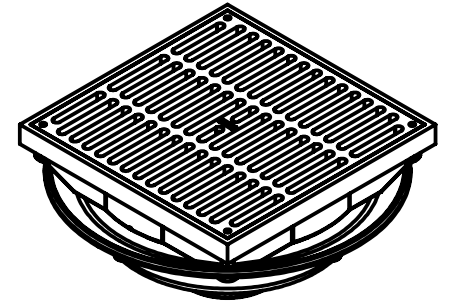
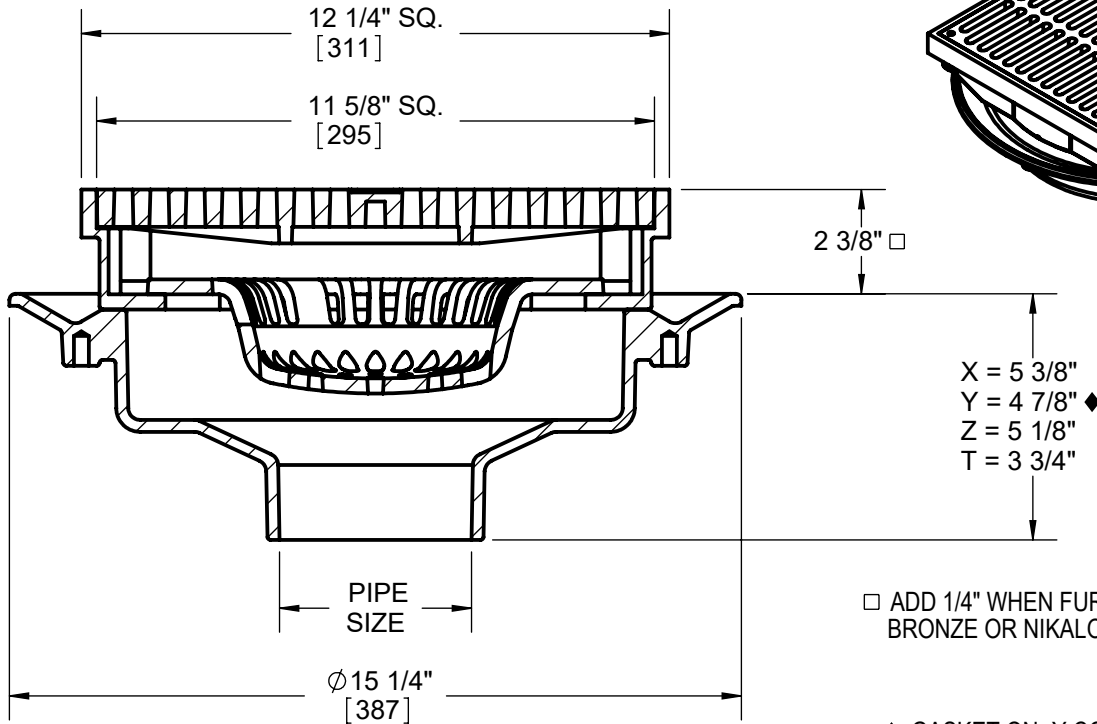
FLOOR DRAIN

MEDIUM SUMP, 12" HEAVY DUTY TOP

SERIES

37810

SLOT WIDTH (STD, -19, -20): 3/8" (MEETS ADA)
 GRATE FREE AREA: 54 IN²



□ ADD 1/4" WHEN FURNISHED WITH BRONZE OR NIKALOY TOP

♦ GASKET ON -Y CONNECTION CONFORMS WITH ASTM-C564

	2"	PIPE SIZE
	3"	PIPE SIZE
	4"	PIPE SIZE
	5"	PIPE SIZE
	6"	PIPE SIZE
	8"	PIPE SIZE
	-X	INSIDE CAULK OUTLET
	-Y	PUSH-ON
	-Z	NO-HUB
	-T	THREADED OUTLET
	-AE	LEVELEZE ADJUSTABLE EXTENSION
	-4*	SECONDARY FLASHING CLAMP
	-7	DUCTILE IRON GRATE
	-14	HINGED GRATE

	-VP	SECURED GRATE, VANDAL-PROOF SCREWS
	-18	HINGED GRATE W/ LATCHING DEVICE
	-19	HEAVY-DUTY UNDERGRATE W/ SATIN NIKALOY TOP
	-20	HEAVY-DUTY UNDERGRATE W/ SATIN BRONZE TOP
	-39	SOLID CAST IRON COVER
	-49	3/4" PRIMER TAP
	-50	1/2" PRIMER TAP
	-66	NO-HUB SIDE OUTLET
	-70	LESS BUCKET
	-84	STAINLESS STEEL MESH BUCKET LINER
	-88	SUPPLEMENTARY STRAINER
	-92	GALVANIZED CAST IRON PARTS
	-ARE	ACID RESISTANT EPOXY COATING
	-TGI	TRAP GUARD INSERT (2"-4")

* AVAILABLE WITH -AE ONLY

WARNING: Cancer and Reproductive Harm - www.P65Warnings.ca.gov

DATE OF LAST CHANGE: 05/12/20

DIMENSIONS ARE SUBJECT TO MANUFACTURERS TOLERANCES AND CHANGE WITHOUT NOTICE. WE CAN ASSUME NO RESPONSIBILITY FOR USE OF SUPERSEDED OR VOID DATA.



MICHIGAN CITY, INDIANA

NOTES