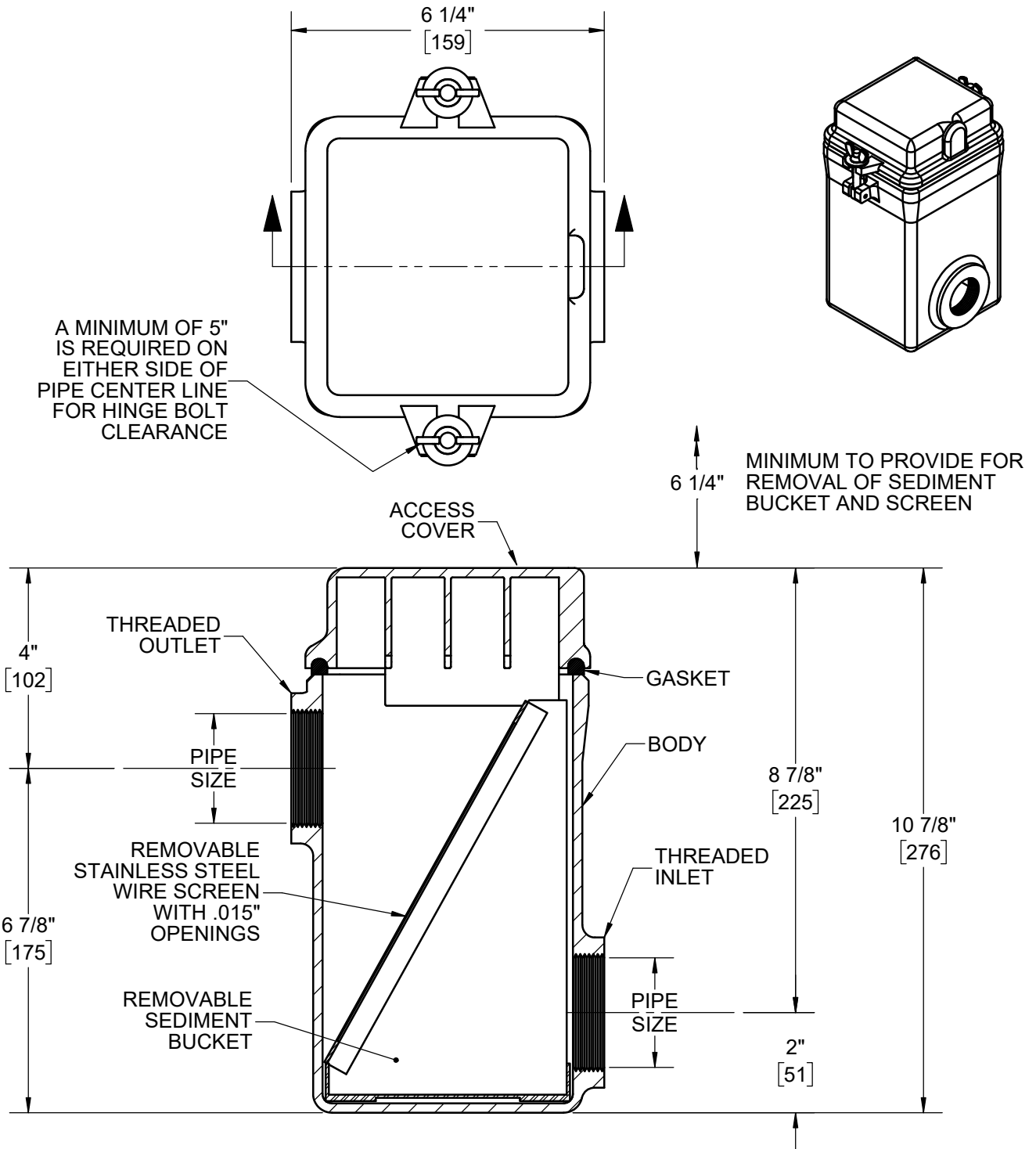


SPECIFICATION:

JOSAM 61030 SERIES COATED CAST IRON SOLIDS INTERCEPTOR, TOP ACCESS FIXTURE TRAP TYPE, THREADED CONNECTIONS, GASKETED COVER, REMOVABLE GALVANIZED STEEL BASKET AND STAINLESS STEEL SCREEN.

**SOLIDS INTERCEPTOR
TOP ACCESS FIXTURE TRAP**

SERIES **61030**



-26	CAST ALUMINUM
-30	ACID-RESISTING COATING INSIDE & OUT

TYPE	PIPE SIZE
61031-1/2	1-1/2
61032	2

WARNING: Cancer and Reproductive Harm - www.P65Warnings.ca.gov

DATE OF LAST CHANGE: 06/18/18

DIMENSIONS ARE SUBJECT TO MANUFACTURERS TOLERANCES AND CHANGE WITHOUT NOTICE. WE CAN ASSUME NO RESPONSIBILITY FOR USE OF SUPERSEDED OR VOID DATA.



MICHIGAN CITY, INDIANA

NOTES