

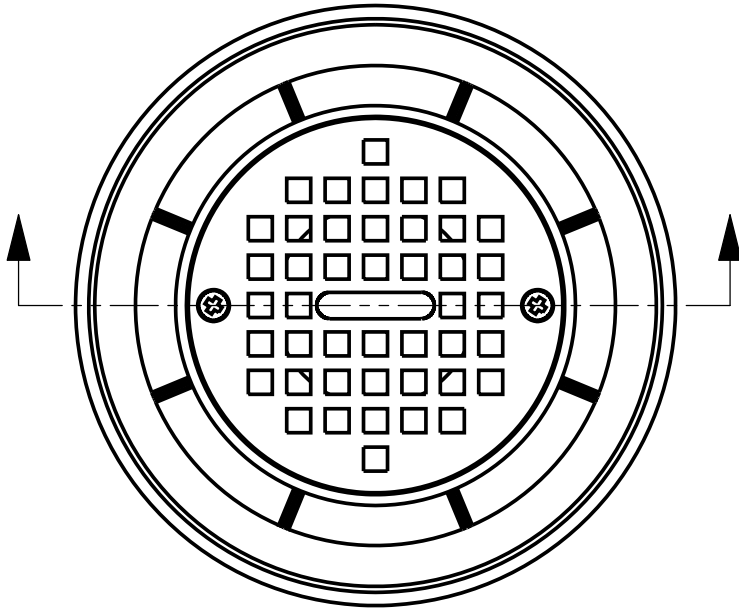
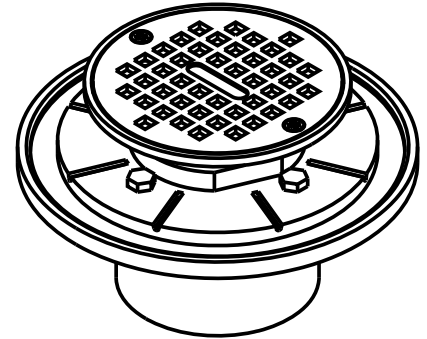
SPECIFICATION:

JOSAM SERIES FD-200 COATED CAST IRON FLOOR DRAIN, TWO-PIECE BODY WITH INVERTIBLE CLAMP COLLAR AND DRAINAGE SLOTS AND 4" ROUND OR SQUARE ADJUSTABLE CHROME-PLATED BRASS STRAINER.

FLOOR DRAIN
ADJUSTABLE TOP
WITH 2" BOTTOM OUTLET

SERIES **FD-200**

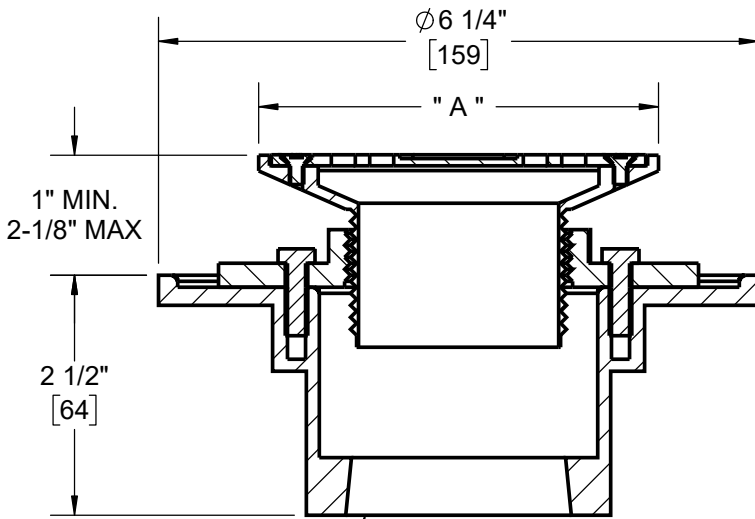
GRATE FREE AREA: 3.75 in²
MEETS ADA AND HEEL-PROOF REQS.



FD-200-4CP - ROUND TOP SHOWN

FD-200-4CP-SQ - SQUARE TOP AVAILABLE

SPECIFY BELOW



2" NPT THREADED
OR NO-HUB OUTLET

OPTIONS

-T	NPT THREADED
-Z	NO-HUB

	TOP	STRAINER	" A "
	ROUND	-4CP	Ø 4 3/16
	SQUARE	-4CP-SQ	4 1/16 SQUARE

WARNING: Cancer and Reproductive Harm - www.P65Warnings.ca.gov

DATE OF LAST CHANGE: 06/26/18

DIMENSIONS ARE SUBJECT TO MANUFACTURERS TOLERANCES AND CHANGE WITHOUT NOTICE. WE CAN ASSUME NO RESPONSIBILITY FOR USE OF SUPERSEDED OR VOID DATA.



MICHIGAN CITY, INDIANA

NOTES