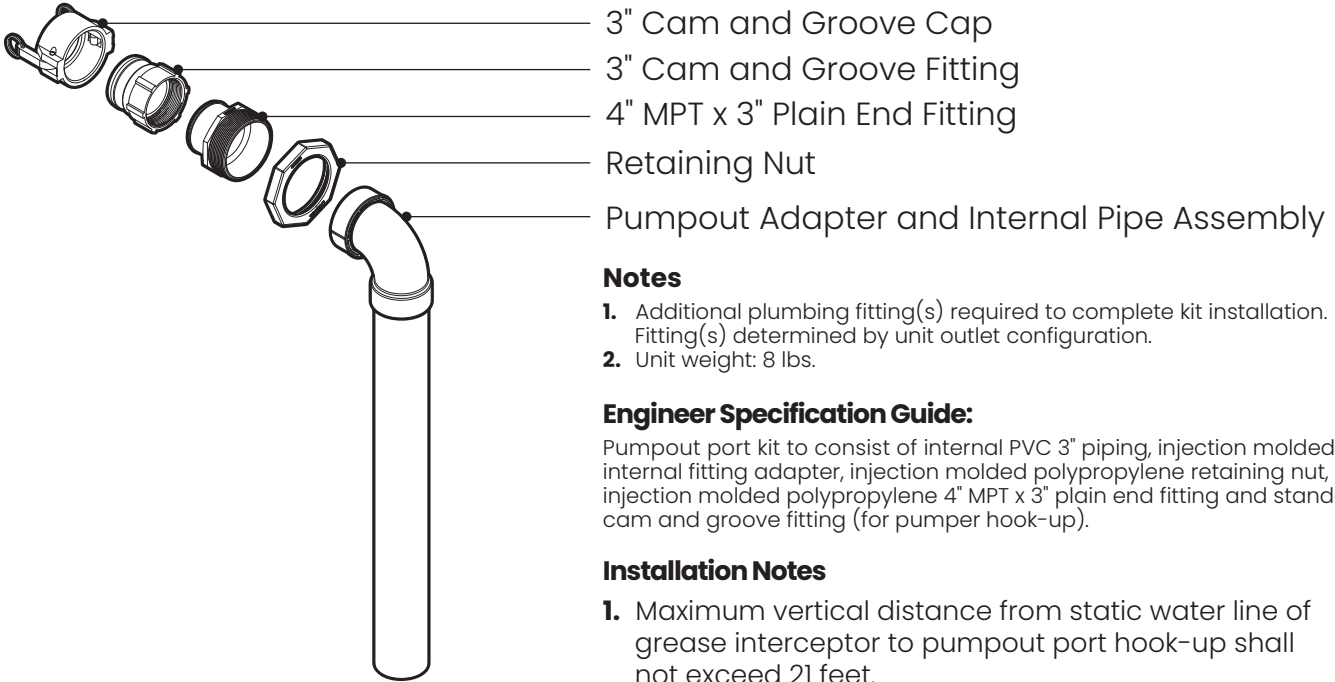


SPECIFICATION AND INSTALLATION GUIDE

PP3

Pumpout Port Kit for use with Grease Interceptors Models GB-50, GB-75, GB-250 and GB-500 and Legacy Models GB-50, GB-75 and GB-250



Notes

- 1. Additional plumbing fitting(s) required to complete kit installation. Fitting(s) determined by unit outlet configuration.
- 2. Unit weight: 8 lbs.

Engineer Specification Guide:

Pumpout port kit to consist of internal PVC 3" piping, injection molded PVC internal fitting adapter, injection molded polypropylene retaining nut, injection molded polypropylene 4" MPT x 3" plain end fitting and standard 3" cam and groove fitting (for pumper hook-up).

Installation Notes

- 1. Maximum vertical distance from static water line of grease interceptor to pumpout port hook-up shall not exceed 21 feet.
- 2. Maximum horizontal distance from grease interceptor to pumpout truck (including pumper hose) shall not exceed 100 feet.
- 3. Plumbing from interceptor to hook-up to have a maximum quantity of 6 elbow fittings.

Contents

Specifications1

Special Precautions 2

Getting to Know the PP3 3

Installation Ideas 4

Installation5-7



MODEL NUMBER:
PP3

DESCRIPTION: Pumpout Port Kit

PART #: 8400-014-01

DWG BY: B. Karrer

DATE: 10/24/2022

REV:

ECO:



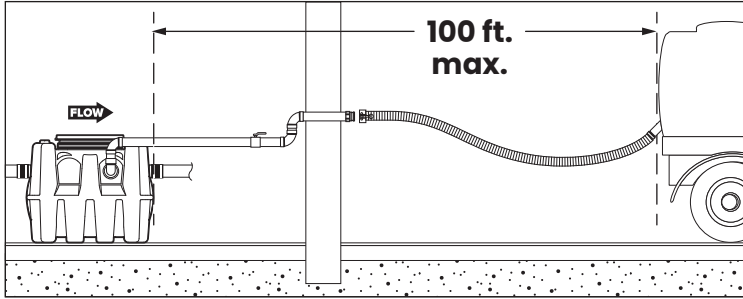
SPECIAL PRECAUTIONS

For Schier Pumpout Port Installations – Failure to follow this guidance voids your warranty

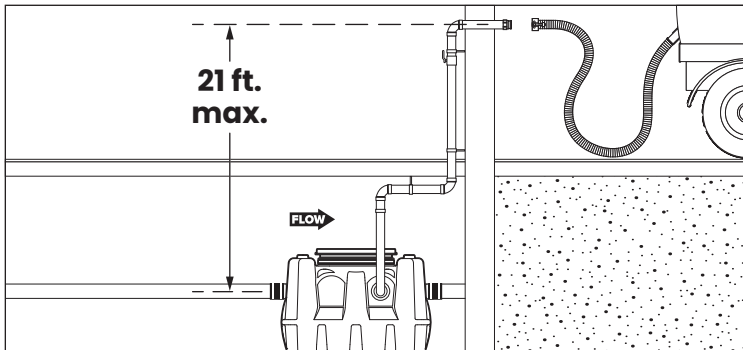
WARNING! DO NOT AIR TEST UNIT OR RISER SYSTEM!
Doing so may result in property damage, personal injury or death.

CAUTION! Do not install this unit in any manner except as described in these instructions.

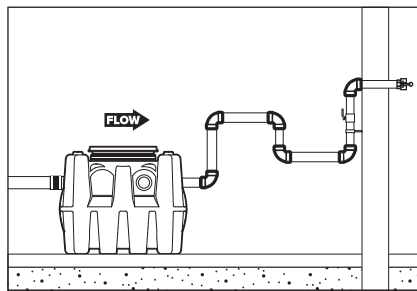
Maximum horizontal distance from grease interceptor to pumpout truck (including pumper hose) shall not exceed 100 feet.



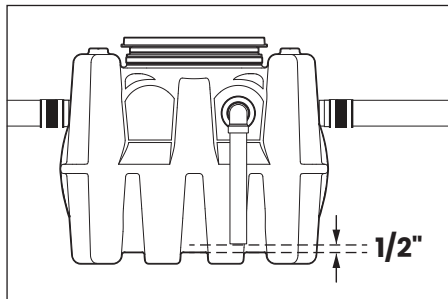
Maximum vertical distance from static water line of grease interceptor to pumpout port hook-up shall not exceed 21 feet.



Plumbing from interceptor to hook-up to have a maximum quantity of 6 elbow fittings.



Minimum 1/2" clearance at interceptor floor



Installation Instructions

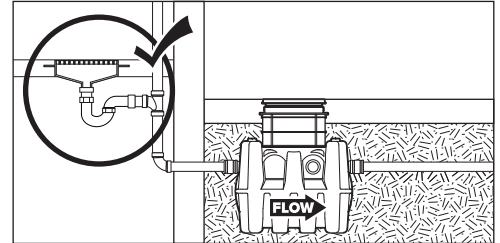
Installation instructions and additional components are included with the interceptor. Read all instructions prior to installation. This pumpout port is intended to be installed by a licensed plumber in conformance with all local codes.



Install interceptor as close as possible to fixtures being served

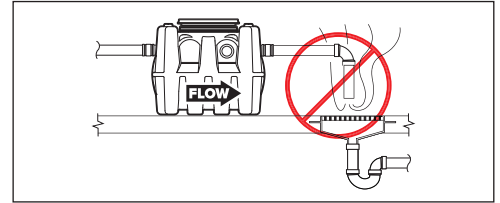
ODOR ALERT!

Interceptor is not a sewer gas trap. All upstream fixtures must be trapped.

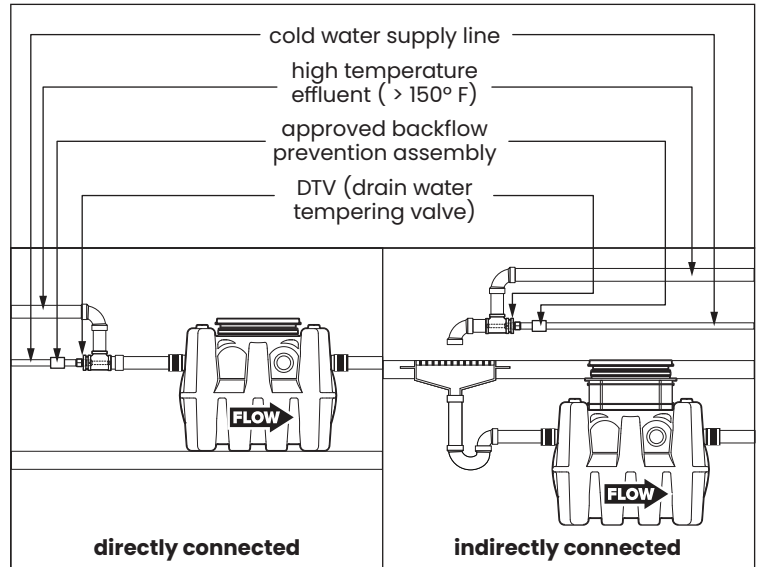


ODOR ALERT!

Do not install air gap on outlet side of interceptor.



High Temperature Kitchen Water



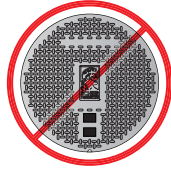
If water is entering the interceptor at excessive temperature (over 150° F), a drain water tempering valve (DTV) and approved backflow prevention assembly must be installed. Most state and local plumbing codes prohibit water above 150° F being discharged into the sanitary sewer. Water above 150° F will weaken or deform PVC Schedule 40 pipe, poly drainage fixtures like interceptors and erode the coating of cast iron (leading to eventual failure).



SPECIAL PRECAUTIONS

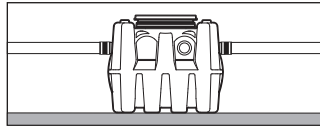
For Schier Pumpout Port Installations – Failure to follow this guidance voids your warranty

DO NOT USE CAST IRON COVERS IN ABOVE GRADE OR INDOOR INSTALLATIONS



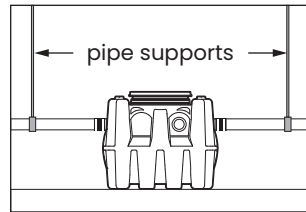
Fully Support Base of Unit

Install unit on solid, level surface in contact with the entire footprint of unit base



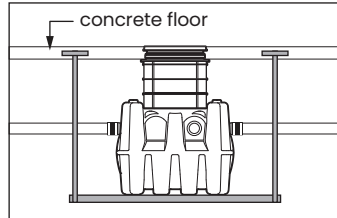
Support Inlet and Outlet Piping

For above grade installations ensure heavy inlet and outlet piping (such as cast iron or long runs) is properly supported or suspended during the entire installation process to prevent connection failure or damage to bulkhead fittings.



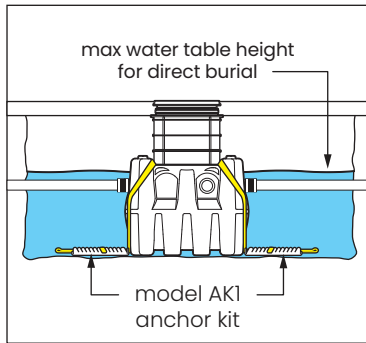
Suspended Installations

Design trapeze to support the wet weight of the unit. Do not partially support unit or suspend unit using metal U-channel to create a trapeze.



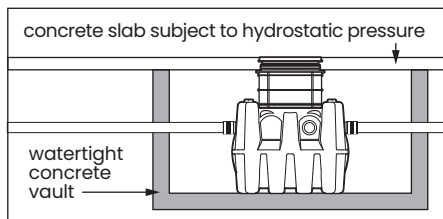
High Water Table Installations

Interceptors and risers are not designed to withstand water table height in excess of the top of the unit when buried (see figure). If it is possible for this to occur, install the interceptor and risers in a water-tight concrete vault or backfill with concrete or flowable fill (wet concrete and flowable backfill should be poured in stages to avoid crushing the interceptor). At risk areas include but are not limited to tidal surge areas, floodplains and areas that receive storm water. Great Basin™ models that are direct buried in high water table scenarios must be installed with an anchor kit. Model GB-75 uses model AK1 anchor kit.



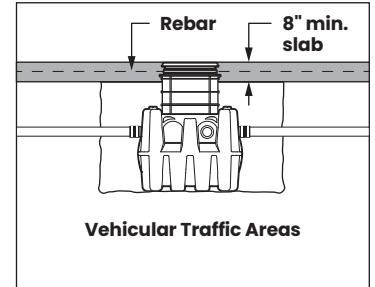
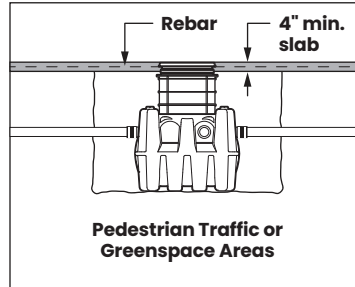
Hydrostatic/Pressure Slabs

When installed under a hydrostatic slab (slab designed to withstand upward lift, usually caused by hydrostatic pressure) interceptor must be enclosed in a watertight concrete vault.

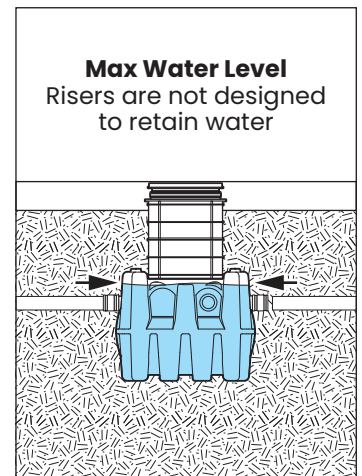
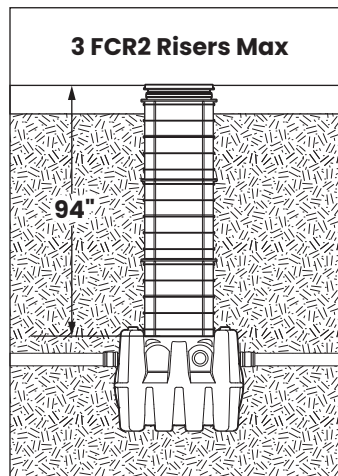


Below Grade Installation Slab Requirements

A concrete slab to finished grade with rebar is required when installing interceptor below grade.

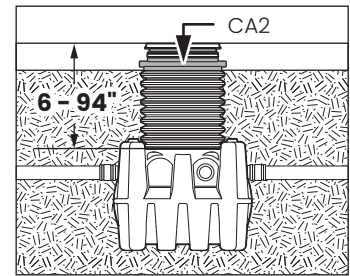


Installations with Risers

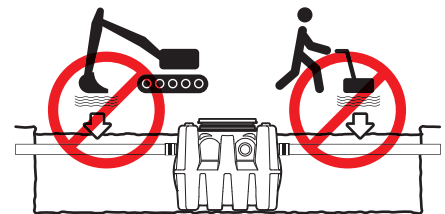


Corrugated Riser Pipe Requirements

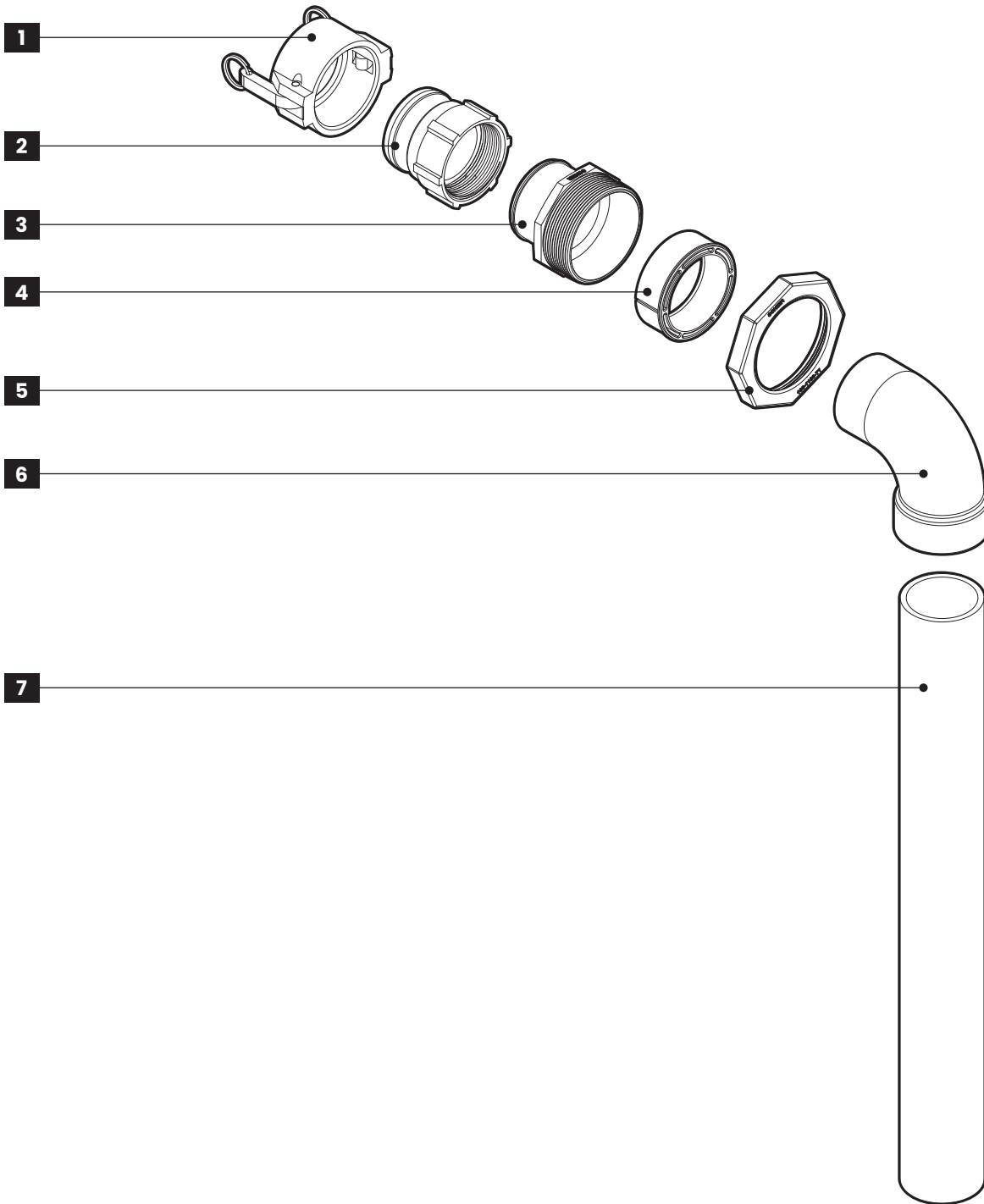
Riser adapter model CA2 must be used when installing interceptors using 24" diameter corrugated pipe as a riser. This will adequately embed the cover adapter in the concrete slab, preventing cover/cover adaption failure under traffic rated loads.



DO NOT COMPACT BACKFILL



GETTING TO KNOW THE PP3



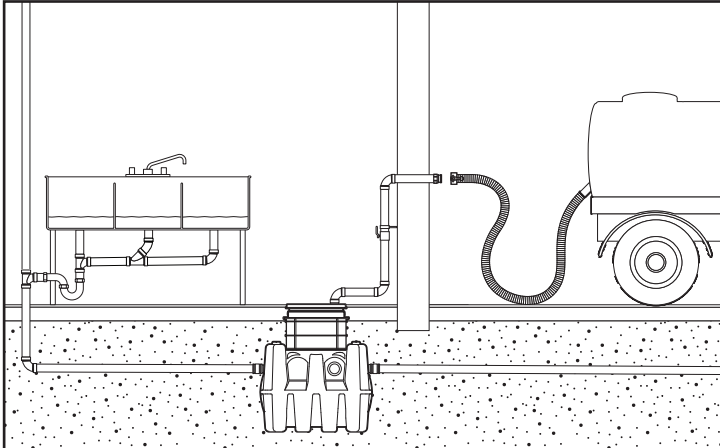
- 1. 3" cam and groove cap
- 2. 3" cam and groove fitting
- 3. 4" MPT x 3" plain end fitting

- 4. 4" x 3" PVC pumpout adapter
- 5. Bulkhead connection retaining nut

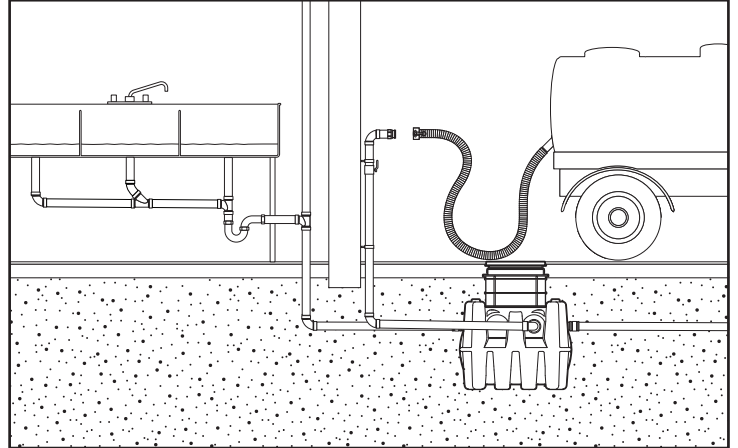
- 6. 3" PVC elbow fitting
- 7. Internal 3" PVC pipe

INSTALLATION IDEAS

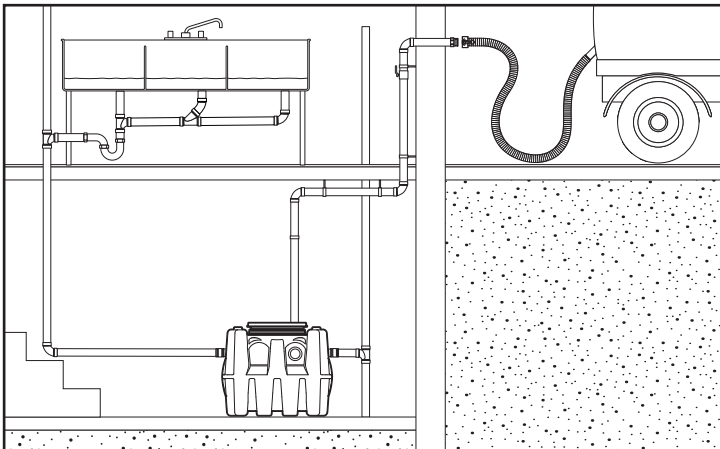
Use the following illustrations for guidance to plan your pumpout port piping layout.



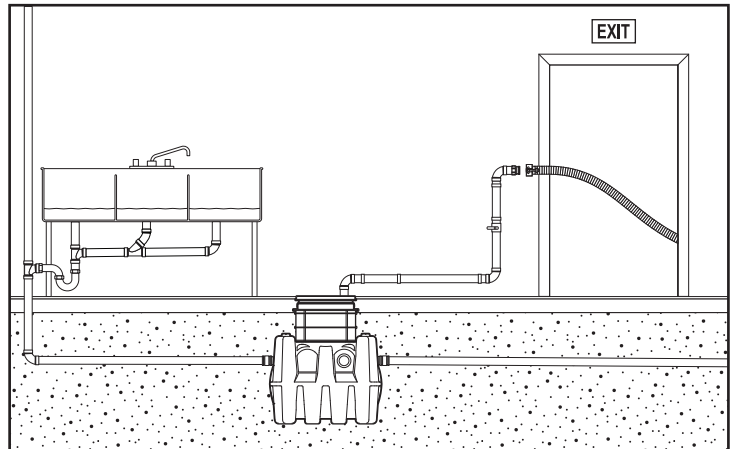
Below Grade Installation with Outdoor Remote Pumpout Hook-up



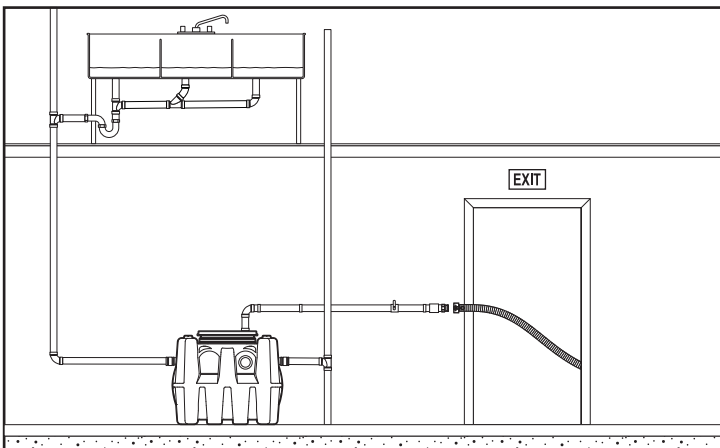
Outdoor Below Grade Installation with Outdoor Remote Pumpout Hook-up



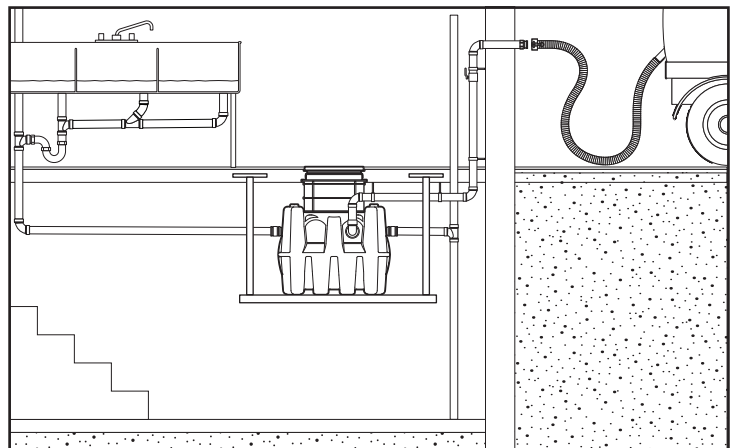
At Grade Basement Installation with Outdoor Remote Pumpout Hook-up



Below Grade Installation with Indoor Remote Pumpout Hook-up



At Grade Floor Below Installation with Indoor Remote Pumpout Hook-up



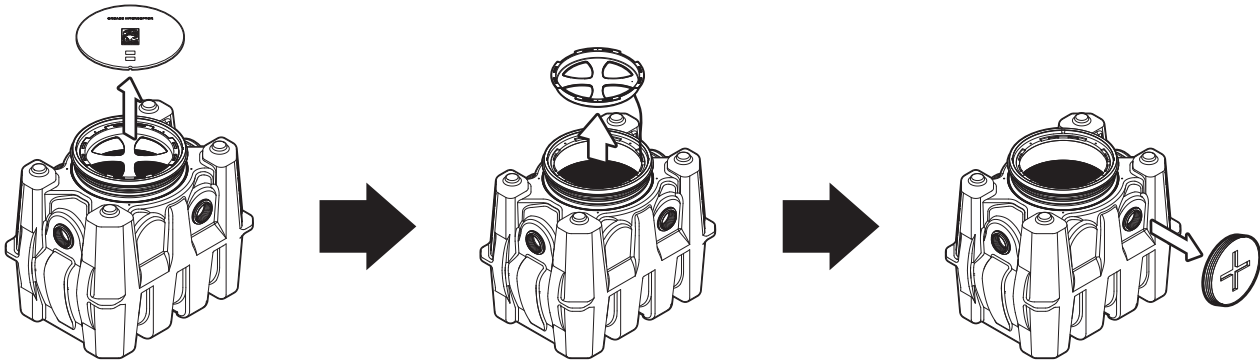
Recessed and Suspended Installation with Outdoor Remote Pumpout Hook-up

INSTALLATION

1 Plan pumpout plumbing

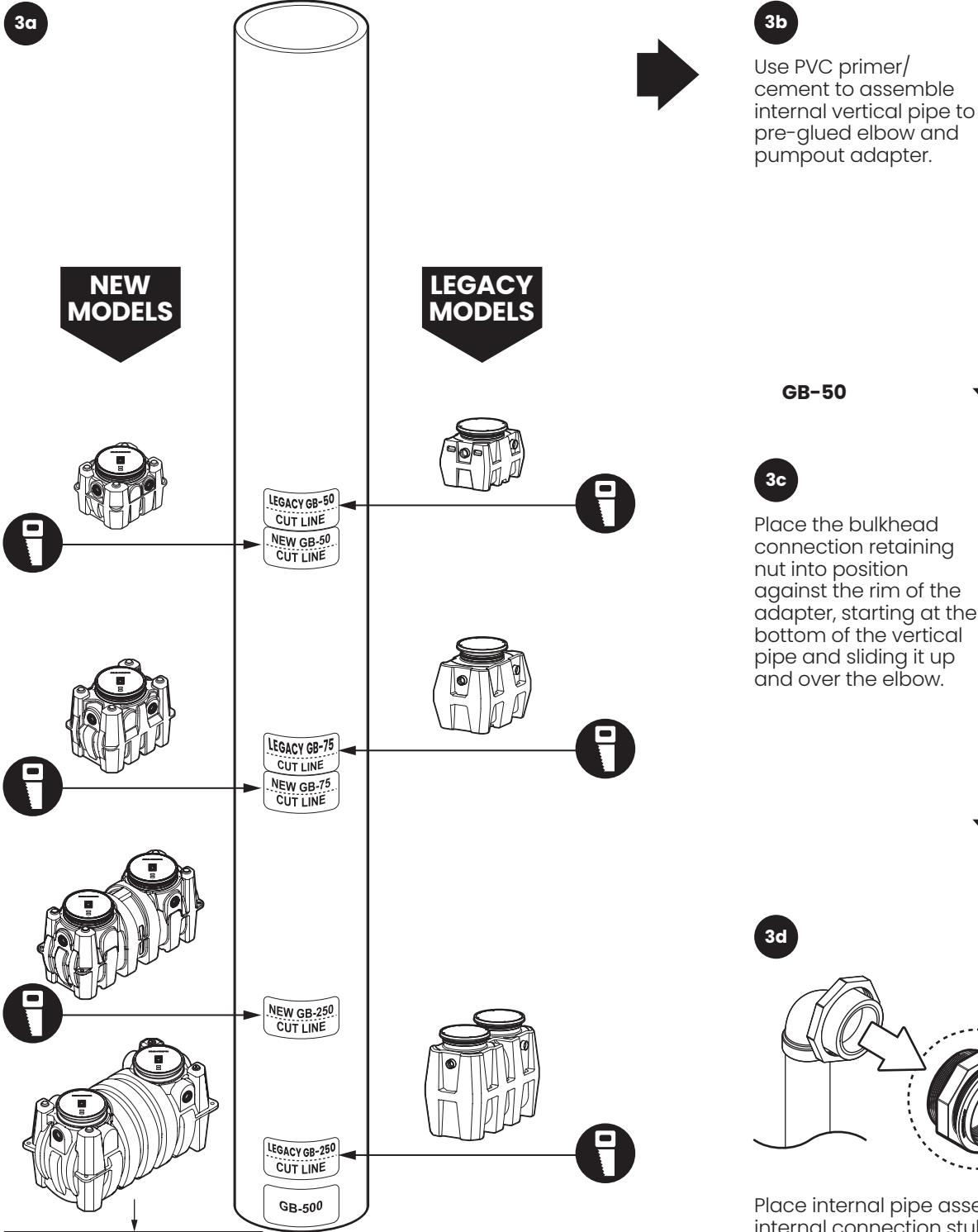
See "**INSTALLATION IDEAS**" for guidance. Choose an unused outlet on the interceptor to convert into a pumpout port and choose a location for the pumpout hook-up. **NOTE:** This kit does not include the plumbing from the interceptor to the hook-up location. You will need to plan out the pumpout plumbing based on site conditions and local codes and provide all additional piping, valves, connections and hardware needed to complete this installation.

2 Prepare interceptor for pumpout port installation



Remove cover bolts (if applicable), then remove cover. Remove safety star insert, leave tethered to unit. Remove preinstalled cleanout plug from outlet chosen to become a pumpout port.

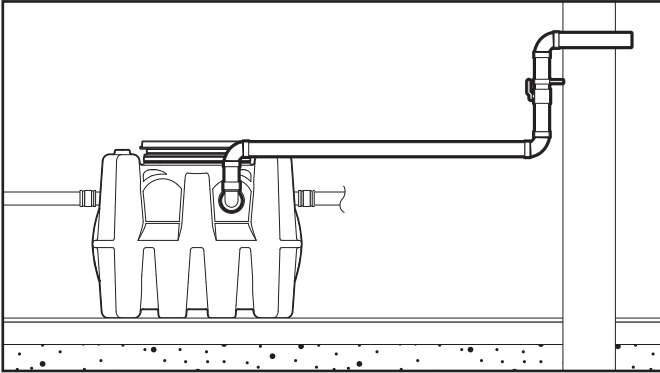
3 Assemble and Install Internal Pipe Assembly



For new or legacy GB-50, GB-75 or GB-250, cut internal pipe at pre-labeled location and keep the top section. For GB-500 use entire length of supplied pipe.

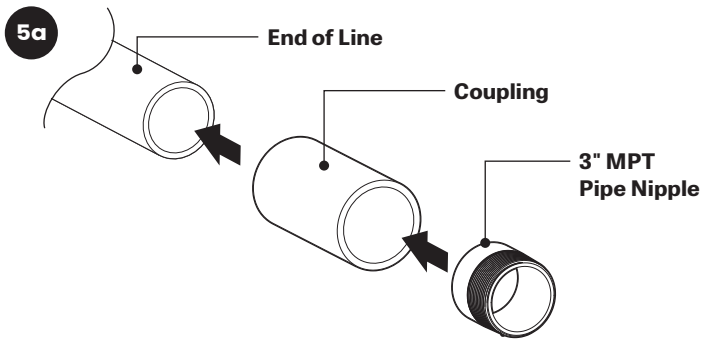
Place internal pipe assembly onto desired internal connection stub. Ensure piping assembly is pointed down (as shown) and there is at least 1/2" of clearance between the pipe and floor of unit. Securely tighten hand tighten retaining nut.

4 Connect External Piping

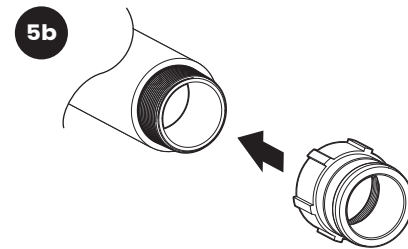


Install 3" or 2" PVC piping, connections, valves and/or hardware from the interceptor pumpout port to pumpout hook-up location (**Not included with this kit**). Maximum quantity of 6 elbow fittings. Max. height from static water line of interceptor to hook-up is 21 feet. Max horizontal distance from interceptor to pumper truck (including hose) is 100 feet.

5 Connect Pumpout Hook-up



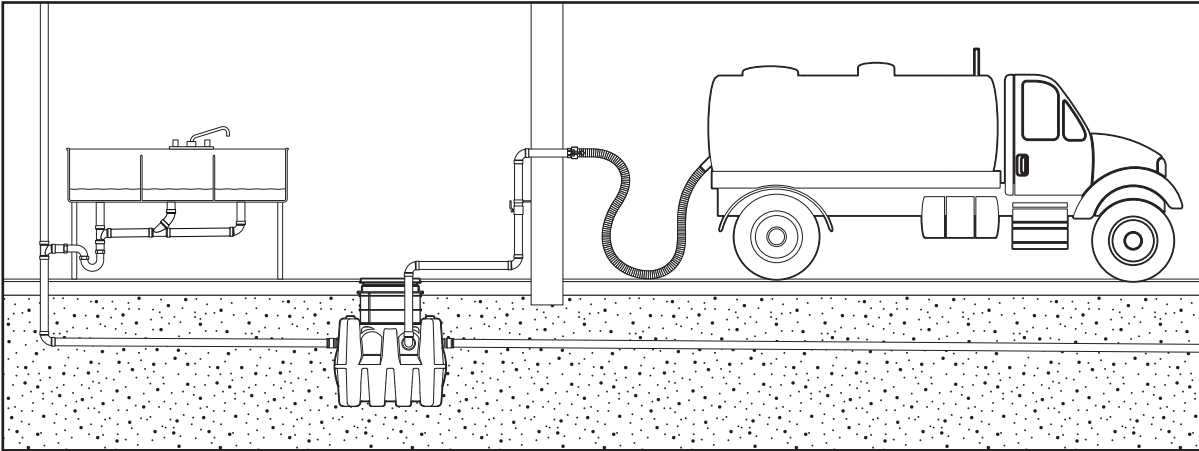
At the end of the pumpout plumbing line, install a 3" MPT pipe nipple (**Not included with this kit**) using a coupling of your choice.



Securely attach supplied 3" Cam and Groove Fitting to pipe nipple using pipe thread sealant or tape.

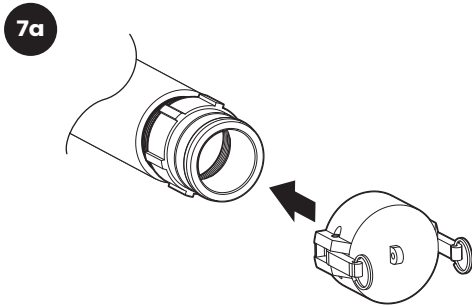
INSTALLATION

6 Test Pumpout Port

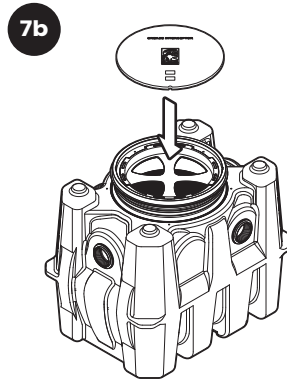


Run sinks to ensure interceptor is full of water. Attach pumper hose to 3" cam and groove fitting. Turn on pump, make sure interceptor is pumped out and inspect pumpout plumbing for leaks.

7 Cap off hookup and re-assemble interceptor



Install cam and groove cap at hookup



Replace safety star insert and cover, tightening cover bolts securely (if applicable).