



COMMERCIAL-GRADE RESIDENTIAL GAS WATER HEATERS

PROLINE® ATMOSPHERIC VENT

INTELLIGENT CONTROL LOGIC

- The internal microprocessor provides enhanced operating parameters and tighter differentials for precise sensing and faster heating response to optimize performance
- Uses a thermopile to generate the power needed to operate the electronic gas control without requiring an external power source
- The electronic gas control incorporates an LED status indicator that monitors system operation and service diagnostics
- *Not available on 60,000 BTU input models (GS6 50 XCT and GS6 55 XCT)

GREEN CHOICE® GAS BURNER

- Patented eco-friendly burner design reduces NOx emissions by up to 33% and complies with Low-NOx emission requirements of less than 40 ng/J

SELF CLEANING DIP TUBE

- Reduces lime and sediment buildup and maximizes hot water output. Made from long-lasting PEX cross-linked polymer.

COREGARD™ ANODE ROD

- Our anode rods have a stainless steel core that extends the life of the anode rod allowing superior tank protection far longer than standard anode rods

PUSH-BUTTON PIEZO IGNITOR

- Makes lighting the pilot fast and easy with one-hand push-button spark ignition

HEAT TRAP NIPPLES

- Factory-installed for faster installation

BLUE DIAMOND® GLASS COATING

- Provides superior corrosion resistance compared to industry standard glass lining

ENHANCED-FLOW BRASS DRAIN VALVE

- Our residential water heaters have a solid brass, tamper resistant, enhanced-flow, ball type, drain valve
- Uses a standard female hose fitting that allows for fast and easy draining during maintenance
- Designed for easy operation, this valve includes an integral screwdriver slot that features a 1/4 turn (open/close) radius, which not only permits full straight-through water flow but also a quick and positive shut off

CODE COMPLIANCE

- Meets UBC, CEC and HUD National Codes
- Meets the thermal efficiency and standby loss requirements of the U. S. Department of Energy and current edition of ASHRAE/IES 90.1
- Complies with the Federal Energy Conservation Standards effective April 16, 2015, in accordance with the Energy Policy and Conservation Act, (EPCA), as amended

HIGH ENERGY FACTORS

- Eco-Friendly non-CFC foam insulation, external heat traps and specially designed combustion chamber combine to produce a high Energy Factor for maximum savings on operating costs

CSA CERTIFIED AND ASME RATED T&P RELIEF VALVE

MAXIMUM HYDROSTATIC WORKING PRESSURE 150 PSI

DESIGN-CERTIFIED BY CSA INTERNATIONAL

- Certified at 300 psi test pressure and 150 psi working pressure. Listed according to ANSI Z21.10.1-CSA 4.1 standards governing storage tank-type water heaters.

6-YEAR LIMITED TANK AND PARTS WARRANTY

- For complete information, consult written warranty or go to statewaterheaters.com

FLAMMABLE VAPOR IGNITION RESISTANT COMPLIANT DESIGN

SOLID. STATE.





COMMERCIAL-GRADE RESIDENTIAL GAS WATER HEATERS

| Model Number | Nominal Capacity | Rated Storage Volume | First Hour Rating (Gallons) | UEF | BTU Input Natural Gas | BTU Input Propane Gas | Recovery 90°F Rise Gallon Per Hour | Dimensions in Inches | | | | | | | | Approx. Shipping Weight (lbs) | | |
|---------------------|------------------|----------------------|-----------------------------|------|-----------------------|-----------------------|------------------------------------|----------------------|--------|----|--------|---|--------|--------|--------|-------------------------------|------------|--|
| | | | | | | | | A | B | C | D | E | F | *G | *H | | Draft Hood | |
| TALL MODELS | | | | | | | | | | | | | | | | | | |
| †GS6 30 ORBTR | 30 | 29 | 62 | 0.60 | 32,000 | 29,000 | 32 | 60-1/2 | 57 | 16 | 14 | 8 | 51 | N/A | N/A | 3 or 4 | 123 | |
| GS6 30 OCT | 30 | 29 | 62 | 0.60 | 32,000 | 29,000 | 31 | 60-1/2 | 57 | 18 | 14 | 8 | 51 | N/A | N/A | 3 or 4 | 132 | |
| ‡GS6 40 OCT | 40 | 38 | 65 | 0.59 | 35,500 | N/A | 38 | 61-3/4 | 58-1/4 | 20 | 12-1/4 | 8 | 52 | N/A | N/A | 3 or 4 | 138 | |
| †GS6 40 BRBT | 40 | 38 | 78 | 0.65 | 40,000 | 36,000 | 42 | 61-3/4 | 58-1/4 | 18 | 12-1/4 | 8 | 52 | N/A | N/A | 3 or 4 | 130 | |
| GS6 40 BCT* | 40 | 38 | 80 | 0.66 | 40,000 | 36,000 | 42 | 61-3/4 | 58-1/4 | 20 | 12-1/4 | 8 | 52 | 14-1/4 | 51-3/4 | 3 or 4 | 138 | |
| GS6 50 BRT* | 50 | 48 | 81 | 0.62 | 40,000 | 37,000 | 41 | 60-3/4 | 57-1/4 | 21 | 12-1/4 | 8 | 50 1/2 | 14-1/4 | 50-1/2 | 3 or 4 | 148 | |
| GS6 50 BCT* | 50 | 48 | 84 | 0.62 | 40,000 | 37,000 | 43 | 60-3/4 | 57-1/4 | 22 | 12-1/4 | 8 | 50-1/2 | 14-1/4 | 50-1/2 | 3 or 4 | 165 | |
| GS6 50 RCT* | 50 | 48 | 89 | 0.61 | 50,000 | 45,000 | 54 | 60-3/4 | 57-1/4 | 22 | 12-1/4 | 8 | 50-1/2 | 14-1/4 | 50-1/2 | 4 | 165 | |
| †GS6 50 XCT* | 50 | 49 | 99 | 0.61 | 60,000 | 54,000 | 65 | 65-1/2 | 61 | 22 | 13-1/2 | 8 | 54-1/4 | 14-1/4 | 54-1/4 | 4 | 182 | |
| GS6 55 XCT* | 55 | 55 | 83 | 0.62 | 60,000 | 54,000 | 65 | 59-3/4 | 55-1/4 | 24 | 13-1/2 | 8 | 48 | 14-1/4 | 48 | 4 | 185 | |
| SHORT MODELS | | | | | | | | | | | | | | | | | | |
| †GS6 30 ORBSR | 30 | 29 | 65 | 0.60 | 32,000 | 29,000 | 32 | 50-1/4 | 46-3/4 | 18 | 14 | 8 | 40 | N/A | N/A | 3 or 4 | 114 | |
| GS6 30 OCSR | 30 | 29 | 55 | 0.60 | 32,000 | 29,000 | 32 | 50-1/4 | 46-3/4 | 20 | 14 | 8 | 40 | N/A | N/A | 3 or 4 | 108 | |
| †GS6 40 BRBS | 40 | 38 | 68 | 0.57 | 40,000 | 36,000 | 41 | 51-1/2 | 48 | 20 | 12 | 8 | 41-1/4 | N/A | N/A | 3 or 4 | 134 | |
| GS6 40 BCS | 40 | 38 | 67 | 0.58 | 40,000 | 36,000 | 41 | 51-1/2 | 48 | 22 | 12 | 8 | 41-1/4 | N/A | N/A | 3 or 4 | 135 | |
| GS6 50 BCS | 50 | 50 | 81 | 0.62 | 40,000 | 40,000 | 43 | 53-1/4 | 49-3/4 | 24 | 12 | 8 | 41-3/8 | N/A | N/A | 3 or 4 | 177 | |

Water connection - 3/4" on all models.

*Optional side-mounted recirculating taps, add "L" to the suffix in the model number (GS6 50 BRTL).

†Models ship with supplied insulation blanket.

For 10-year tank and 6-year parts limited warranty, change "6" to "X" in the model number (example: GSX 40 OCT).

All models approved for installation from sea level to 10,100 ft. elevation.

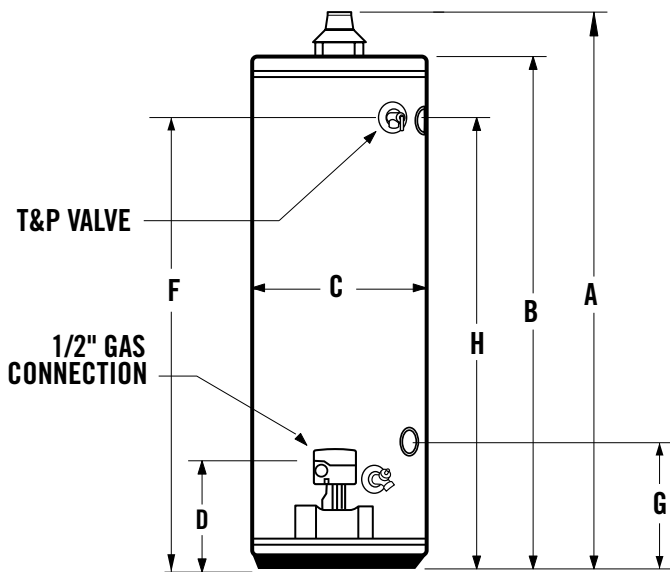
‡LP models not available on GS6 40 OCT.

Dimensions and specifications subject to change without notice in accordance with our policy of continuous product improvement.

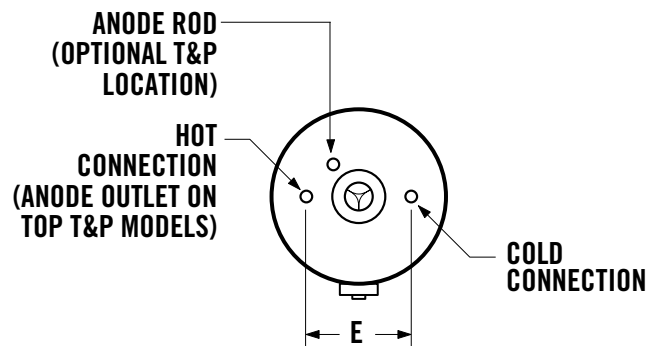
FLAMMABLE VAPOR IGNITION RESISTANT (FVIR) WATER HEATERS

State FVIR design meets the American National Standards Institute standards (ANSI Z21.10.1 CSA 4.1) that deal with the accidental or unintended ignition of flammable vapors, such as those emitted by gasoline.

It features a sealed combustion chamber with air intake filter and a flame arrester built into the water heater base. In addition, a thermal cutoff (TCO) device, is designed to shut off gas flow to the burner and pilot if poor combustion is detected.



Maximum Hydrostatic Working Pressure: 150 PSI



FOR MORE INFORMATION CONTACT: STATE WATER HEATERS 500 TENNESSEE WALTZ PARKWAY, ASHLAND CITY, TN 37015 • 800-365-0024 TOLL-FREE USA • STATEWATERHEATERS.COM