

SYSTEM 6

High Capacity Hot Water Baseboard

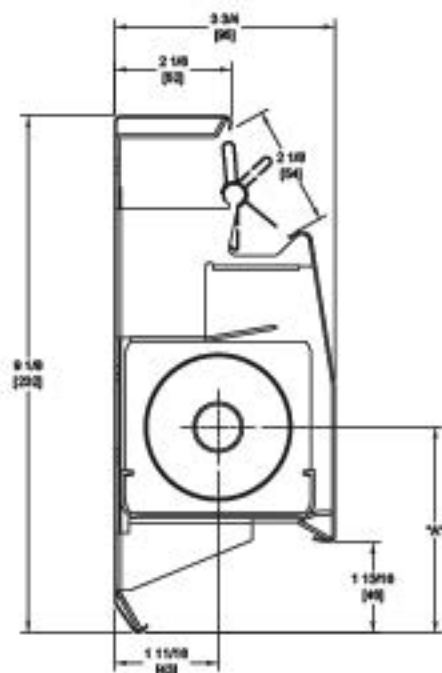
Specifications

Ratings

Model	GPM	Tube/Fin	Tube Size	Average Hot Water Temperature °F - BTU/Hr./Lin./Ft.									
				120°	130°	140°	150°	160°	170°	180°	190°	200°	210°
SCE-632A	4	Copper/Al	3/4"	269	342	414	466	549	640	740	820	910	990
	1			255	323	392	441	519	610	700	780	860	940
SCE-633	4	Copper/Al	3/4"	316	401	486	547	644	770	870	970	1070	1160
	1			299	380	460	518	610	730	820	920	1010	1100
SCE-642A	4	Copper/Al	1"	267	338	410	461	543	640	730	810	900	980
	1			252	320	388	437	514	610	690	770	850	930
SCE-643	4	Copper/Al	1"	307	389	472	531	625	740	840	930	1040	1130
	1			290	368	446	502	591	700	790	880	980	1070
SCE-653	4	Copper/Al	1 1/4"	295	375	454	511	602	710	800	900	990	1090
	1			306	388	470	529	623	720	760	850	940	1030
SCE-655	4	IPS Steel	1 1/4"	252	320	388	437	514	610	690	770	850	930
	1			239	304	368	414	488	580	650	730	800	880

NOTE: All the above ratings are based on active length, which is 4" less than total length, and includes a 15% addition for heating effect. The use of these ratings at 2000 lb/hr is limited to installations where the water flow rate through the baseboard unit is equal to or greater than 2000 lb/hr. Where the flow rate through the baseboard is not known; the rating at 500 lb/hr. must be used.

Dimensional Data



"A" DIMENSIONS

SCE	632A	633	642A	643	653	655
"A"	3 1/2	3 5/8	3 1/2	3 5/8	3 5/8	3 5/8

Accessories



End Cap
3" wide left (SCC-L) and right (SCC-R), for use at doorways and wherever a finished end is needed. 3" wide slotted left (SCCS-L) and right (SCCS-R), for through-the-wall connections. Fully telescopic.



Outside Corner
90° (SOC-90) and 135°/45° (SOC-135). Use to trim corners at projecting wall. Telescopic up to 1" on each wall.



Valve Enclosure
9" wide left (SVE-L) and right (SVE-R). Extra wide 6" hinged door for easy access to valve or vent. Fully telescopic.



Valve Enclosure (slotted)
9" wide left (SVES-L) and right (SVES-R). Extra wide 6" hinged door for easy access to valve or vent. Fully telescopic.



Inside Corner
90° (SIC-90) and 135°/45° (SIC-135). One piece snap-on for easy installation. Telescopic up to 2-1/2" on each wall.



Extension Sets
14" wide (SEX-14). Four sections (back, front, top and damper). Telescopes to fill gaps up to 12-1/2" between baseboard panels.



Wall Joiners
5" (SWJ-5) and 9" (SWJ-9). Fully telescopic to conceal connecting pipes.